

# Spare parts list 2015

NO TARIFF VERSION



The Original!  
[www.dynamicmixers.com](http://www.dynamicmixers.com)



## TERMS AND CONDITIONS

### (General freight and payment terms)

Freight charges are not included in prices. Unless indicated, all export shipment terms are EX-WORKS. All shipments, including Franco, are at customers or carriers risks.(art.105 Commerce Code). Freight carrier remains at the discretion of Dynamic, unless when carrier is chosen by the customer. Damage claims must be made within 72 hours from shipment arrival. This price list is effective for year 2015 and it supercedes all previous ones. All invoices will show net prices without any additional discounts. Invoices are payable to Dynamic France, 518 rue Léo Baekeland, 85290, Mortagne-sur-Sèvre, France. Prices are subject to change without notice. At the exception of existing company accounts, all orders must be paid before shipment (bank transfer), based on the supplied proforma invoice. For more further please contact us directly.

### BANK TRANSFER INFORMATION :

Caisse de Crédit Agricole de l'Anjou et du Maine.

IBAN : FR76 1790 6000 3200 0712 6717 248

Bank code : 17906

Desk code : 00032

Account number : 00071267172

Rib Key: 48

BIC/SWIFT : AGRIFRPP879

**RETURNS** : Returns require prior written or verbal authorization from commercial Head Office. Non-authorized returns, will be sent back to the originator, collect. All returned merchandise are subject to a 10% re-stocking charge. Special items (non standard) are not refundable. Ownership rights. In conformity with Article 65, Code 67-563 modified under article 80-335, dated May 12<sup>th</sup> 1980, the following final terms will be applied to all orders :

1) All faulty payments including partial payments will cancel terms negotiated and make all amounts due, immediately payable to Dynamic France. Furthermore, it is also agreed that all sold merchandise remain the property of Dynamic France until full payment.

**WEEE (Directive on Waste Electrical and Electronic Equipment)**: In so far as the equipment sold is professional electrical and electronic equipment referred to in Decree 2005-829 of 20 July 2005, transposing Directive 2002/96/EC of 27 January 2003, it is agreed that the buyer in possession of this equipment shall, in the absence of an agreement to the contrary, be responsible for financing and organising disposal of waste from this equipment under the conditions defined in Articles 21 and 22 of the said decree. In the event of an inspection, the constructor may ask the buyer to send documents confirming that he has met all the obligations for this equipment transferred to him by virtue of the contract of sale. If these documents are not sent, it will be assumed that the customer has failed to carry out the obligations incumbent on him and the manufacturer reserves the right to ask him for reparation of any damage he may suffer as a result of this. In accordance with Article 6 of Decree 2005-829 of 20 July 2005, marking indicating the producer's identity and the marketing of the equipment after 13 August 2005 appears on all equipment. The producer has registered with the national register

2) All invoices are payable to Dynamic France in Mortagne-sur- Sèvre, any discrepancies will be directly handled by Tribunal du Commerce, Roche-sur-Yon, France.

### SPARE PART ORDERS :

The following information must be included with all spare part orders : Clear and complete customers information.

Machine model number.

Machine serial number.

Spare part description and catalogue reference number.

### UNDER WARRANTY AFTER SALES SERVICE CONDITIONS :

Please refer to your nearest service center or contact our commercial head office for further information:

Dynamic France - 518 rue Léo Baekeland  
85290 Mortagne Sur Sèvre, France  
Phone (33) 2 51 63 02 72  
Fax (33) 2 51 63 02 73  
email : contact@dynamicmixers.com

For regular service requests (out of warranty). Defective machines have to be carried into the service center at customers' expenses.

In all cases a complete appraisal will be done and returned to the customer, via fax, email or by phone, before any repairs for approval.

Labor rate: a standard labor rate of 37,61€

/ Hr. will be applicable to all repairs not under warranty. Six month warranty period on service work completed by Dynamic.

Appraisal fees of 37,61€ (labor, re-assembling and packaging) will be applied for declined estimates on machines you request to be re-assembled and not repaired.

of producers (ADEME for France). According to the legal measures in force, the customer assuming the obligations for disposal of the waste must ensure that selective treatment, recycling and destruction of selectively collected waste electrical and electronic equipment is carried out at facilities meeting the technical requirements set by the Order of 13 March 2006 and Decree 2005-829 (Article 23) or at any other facility authorised for this purpose in another member state of the European Union or in another state on condition that this waste is transferred outside France in compliance with the measures of the afore-mentioned regulation of February 1<sup>st</sup> 1993. Ensure that technical operations for collection and selective treatment of materials and components of waste electrical and electronic equipment are correct and that all fluids have been extracted, in compliance with the requirements or the order. Ensure that the information concerning the collection and treatment of this waste is passed on to any later buyer.

**MIXERS**

	Page
DYNAMIX	4 - 5
MD 95	9
JUNIOR STANDARD	10
JUNIOR PLUS	11
MMX 98	19
PMX 83	20
PMX 98	21
PMDH 250 - PMF 250	22 & 23
MX 79	24
MX 85	25
MX 91	26
MX 2000	27
MFAP 90	28
MDH 2000	30
MASTER DSC 230 V - 50 Hz	31
MX 2000 DSC 230 / 115 V - 50 / 60 Hz	32
SMX 500	44 & 45
SMX 502 - 600	46 & 47
SMX 600E	48 & 49
SMX 600 DSC	50 & 51
SMX 800E	52 & 53
SMX 800 DSC	54 & 55

**CORDLESS MIXER**

MPX 94 - Mini cordless mixer	17
------------------------------	----

**WHISKS**

JUNIOR WHISK	15
FD 98	16
FT 97	33
FT 86	34
FT 79	35

**CORDLESS WHISK**

FTP 94 - Mini cordless whisk	18
------------------------------	----

**MULTI-FUNCTION**

JUNIOR COMBI	11 - 14
PMF 250	22 & 23
MF 90	36 & 38
MF 2000	37 & 38
MFAP 90	36 & 38
MFAP 2000	37 & 38

**RICER**

PP 84	40
PP 97	41
PP 97 +	42 & 43

**ACCESSORIES**

DYNAMIX ACCESSORIES (Foodmill ricer - Whisks - cutter bowl)	6 - 8
JUNIOR COMBI ACCESSORIES (Foodmill ricer - Whisks - cutter bowl)	12 - 14
RICER TOOL AP 90 / FM 90	39
ICE CREAM MIXER TOOL GP 2000	29
DYNATURBO TOOL FOR SMX	29

**CITRUS JUICER**

PA 96	60
-------	----

**GIRAFFE**

GIRAFFE GIGAMIX	58, 59, 60 & 61
-----------------	-----------------

**GIRAFFE-MIXER**

GM 93	61
-------	----

**SALAD SPINNERS**

ELECTRIC SALAD SPINNER EM 98 N	62
MANUAL SALAD SPINNER E 10	63
MANUAL SALAD SPINNER E 20	63
MANUAL SALAD SPINNER E 20 SEALED COVER	64 & 65

**SUPPORTS**

SM4, SM6, SM8, SM10, SM12	60
---------------------------	----

**VEGETABLE CUTTERS**

FOOD CUTTER CF 2000	61
DYNACOUPE	66
DYNACUBE	67

**CUTTER**

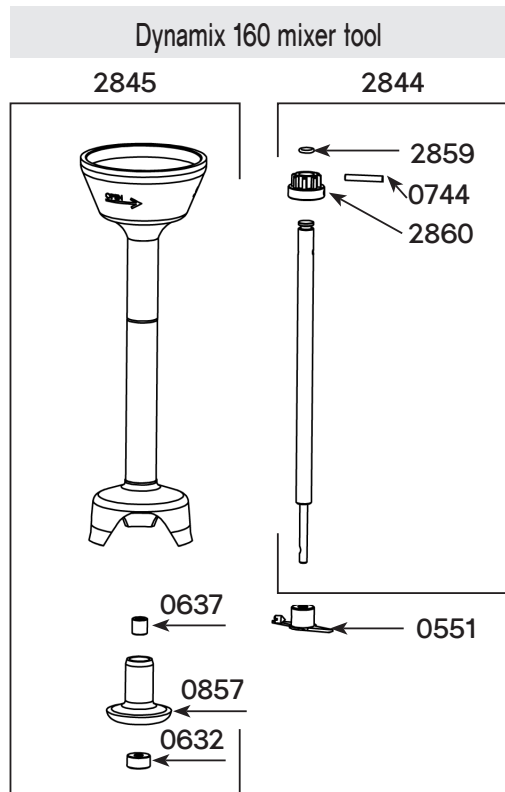
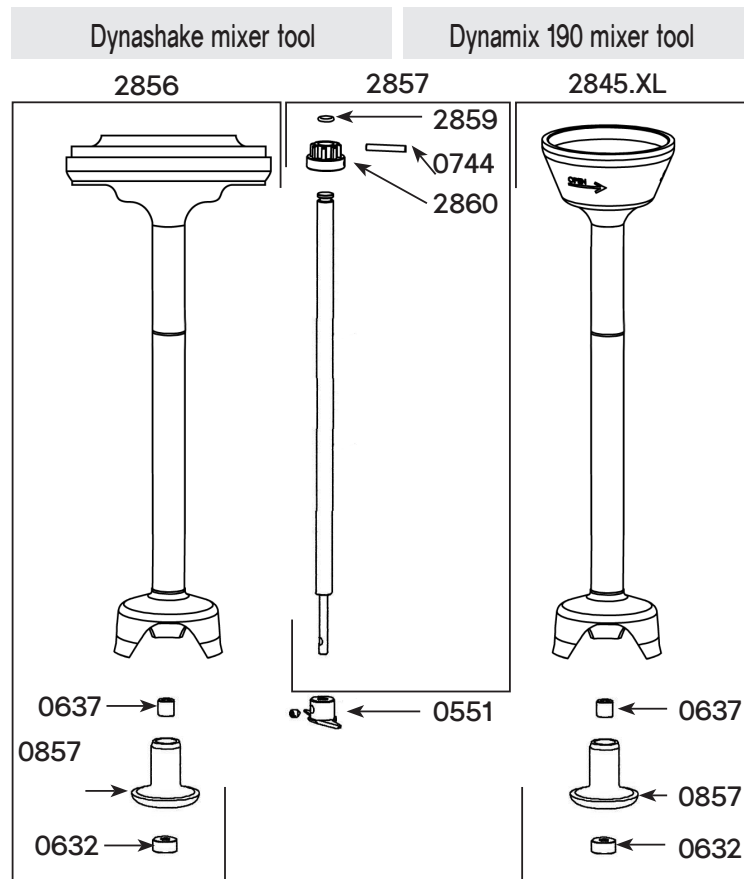
DYNA CUTTER	68 & 69
-------------	---------

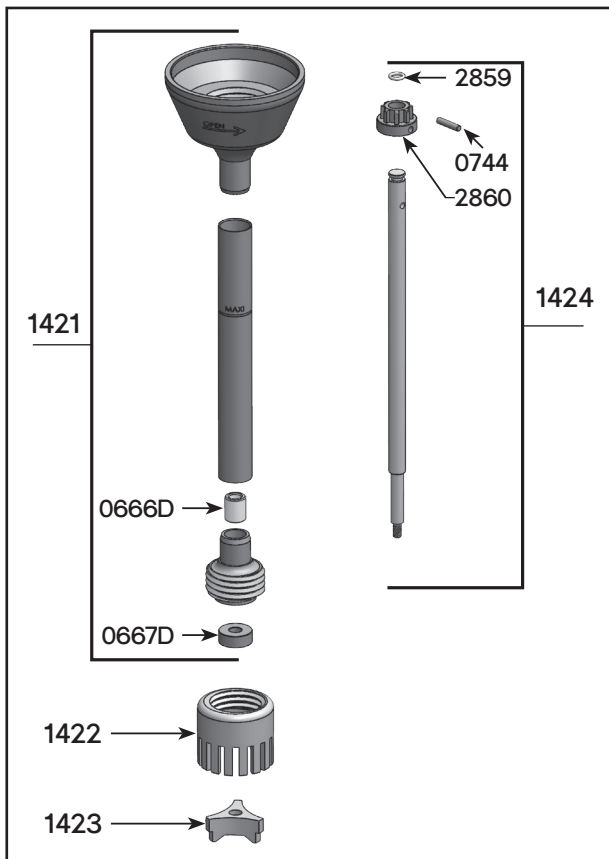
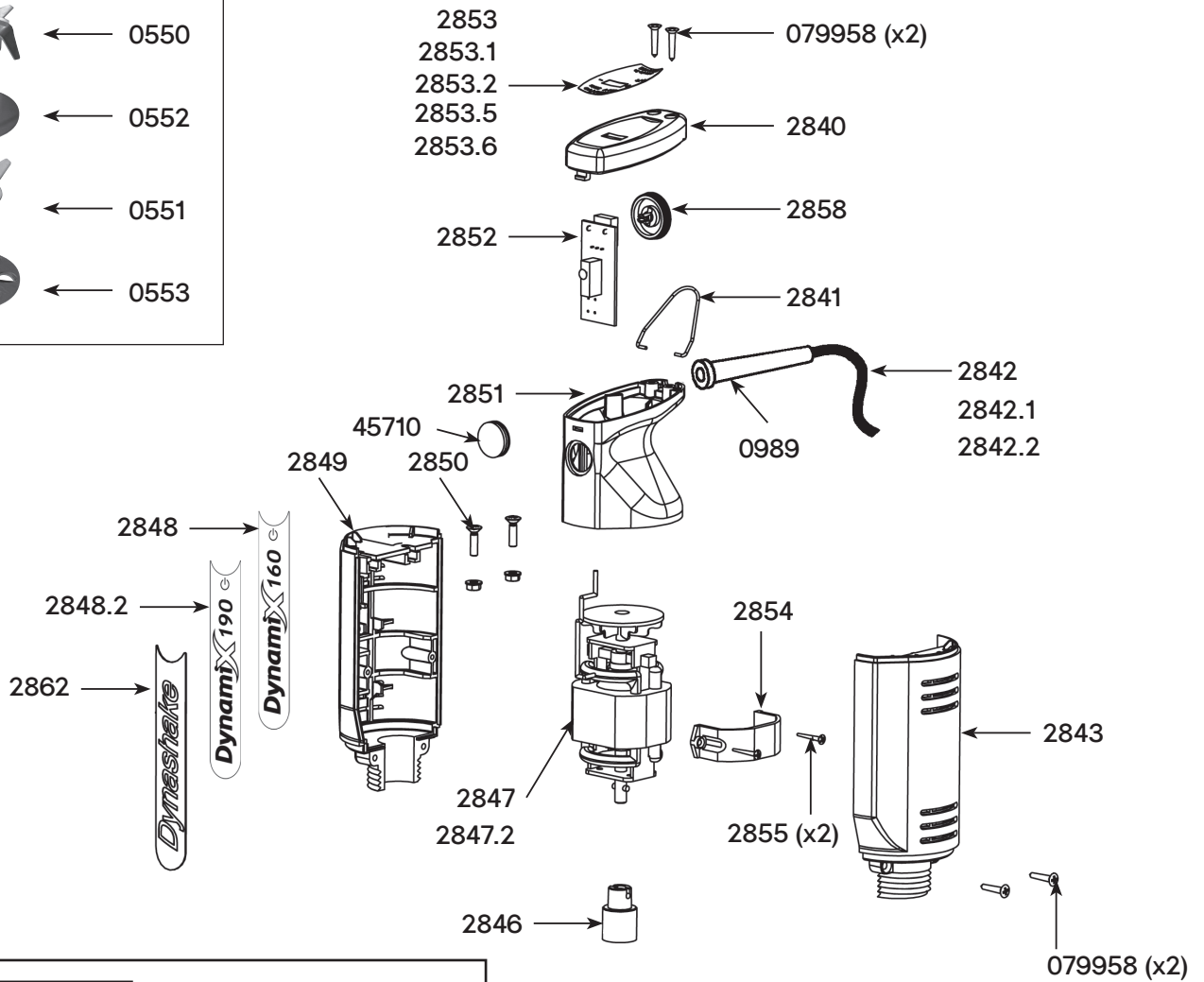
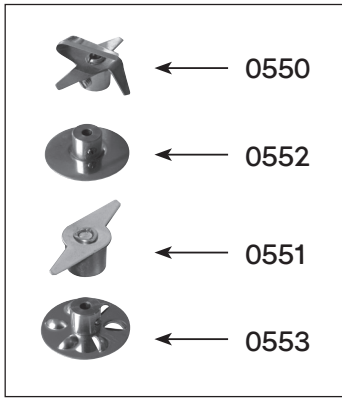
**VS ATTACHMENT**

VS ATTACHMENT	70 & 71
---------------	---------

# DYNAMIX 160 - 190 / DYNASHAKE MIXER / BLENDER TOOL

Parts list	Code
Emulsifying blade with screws	0550
Standard blade with screws	0551
Batter blade with screws	0552
Smoothie emulsifying blade with screws	0553
Double lip waterproof seal	0632
Self-lubricating ring	0637
Pins 3 x 20	0744
Bearing holder	0857
Strain relief 230 V	0989
Cover or handle screws (2)	079958
Cover	2840
White cover	2840.B
Hook	2841
Power cord 230V	2842
Power cord 115V	2842.1
Power cord UK	2842.2
Right handle	2843
White right handle	2843.B
Shaft and bearing (Dynamix)	2844
Dynamix foot assembly + ring + seal	2845
Extended Dynamix foot assembly + ring + seal	2845.XL
Coupling	2846
Motor 230V - D160	2847
Motor 115V	2847.1
Motor 230V - D190	2847.2
160 Dynamix label	2848
190 Dynamix label	2848.2
Left handle	2849
White left handle	2849.B
Screws + washer + handle nuts (2)	2850
Hood	2851
White hood	2851.B
Circuit board 230V	2852
Circuit board 115V	2852.1
ID label D160 (230V)	2853
ID label D160 (115V)	2853.1
ID label D190 (230V)	2853.2
ID label Dynashake (230V)	2853.5
ID label Dynashake (115V)	2853.6
Motor belt	2854
Screws for motor belt (2)	2855
Dynashake foot assembly + ring + seal	2856
Shaft and bearing (Dynashake)	2857
Variator knob	2858
Driving shaft joint	2859
Coupling hub	2860
Dynashake label 230 V	2862
Handle cap protectors	45710
Complete attachment (see machine catalogue)	-





Nomenclature des pièces  
BLENDER tool

Nomenclature des pièces	Code
Self-lubricating ring	0666D
Waterproof seal	0667D
Pin	0744
Brace with rings	1421
BLENDER DYNAMIX bell	1422
BLENDER DYNAMIX crushing knife	1423
Shaft (coupling, pin, O ring)	1424
Driving shaft joint	2859
Coupling hub	2860

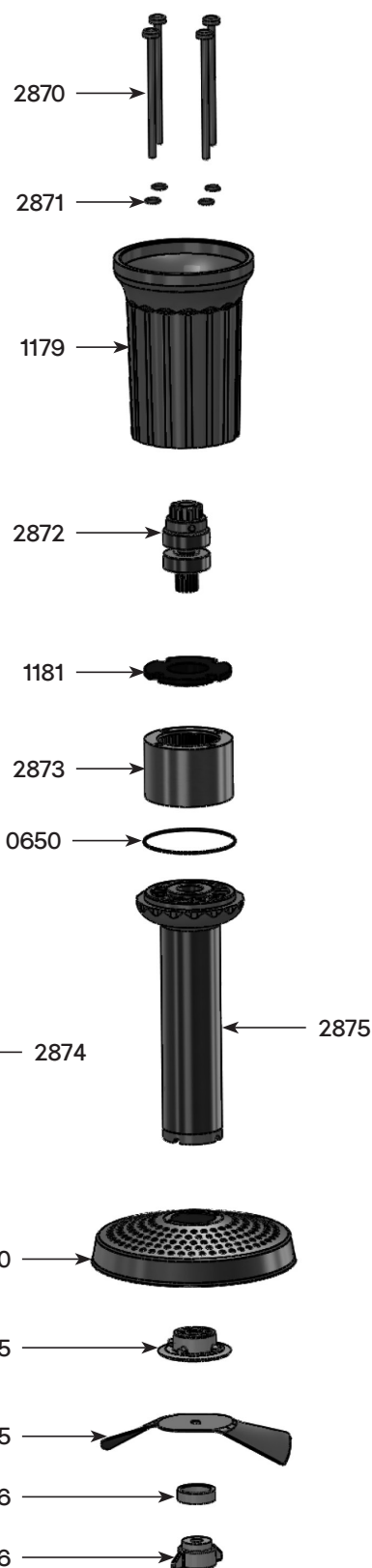
## Parts list

## Code

### Potato ricer assembly

O. ring	0650
Potato blade	08995
Potato grid	089940
Ricer inferior carter	1179
Secured washer	1181
Grid holder	1195
Compression washer	1196
Handle screws (4)	2870
O. ring (x4)	2871
Equipped upper shaft	2872
Interior geared crown	2873
Equipped output shaft	2874
Equipped spacer for potato ricer	2875
Nut holder + nut	2876

## Potato ricer assembling



## Ricer grid assembling



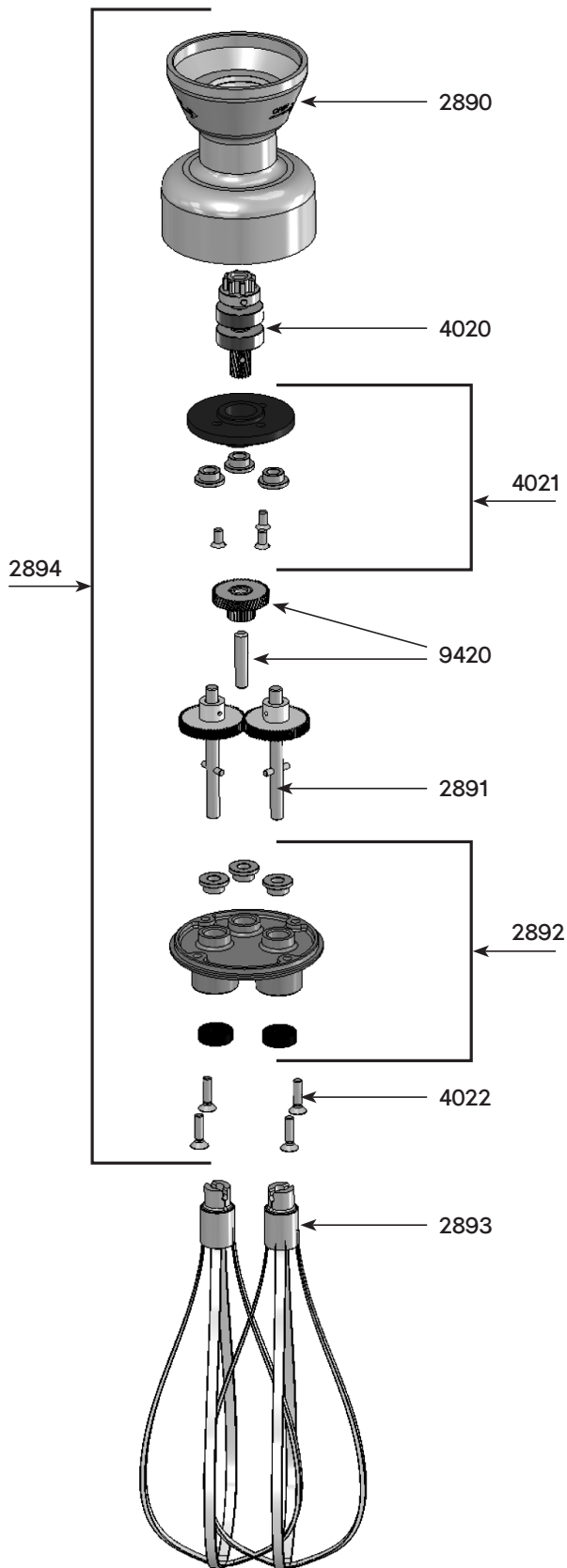
Parts list

Code

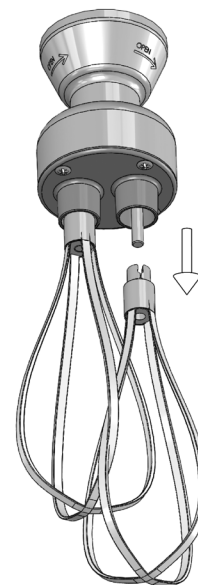
Dynamix whisks

Lower motor whisk housing	2890
Equipped output axle w/ 2 gears+pins	2891
Holder assembly w/ 3 self-lubricating rings	2892
Whisk tool (2)	2893
Reduction gear assembly (without whisk)	2894
Equipped upper shaft	4020
Equipped plate with rings	4021
Holder assembly screws	4022
Middle gear & axle	9420

Dynamix whisks



Whisk tool dismantling



## Parts list

## Code

### Dynamix cutter

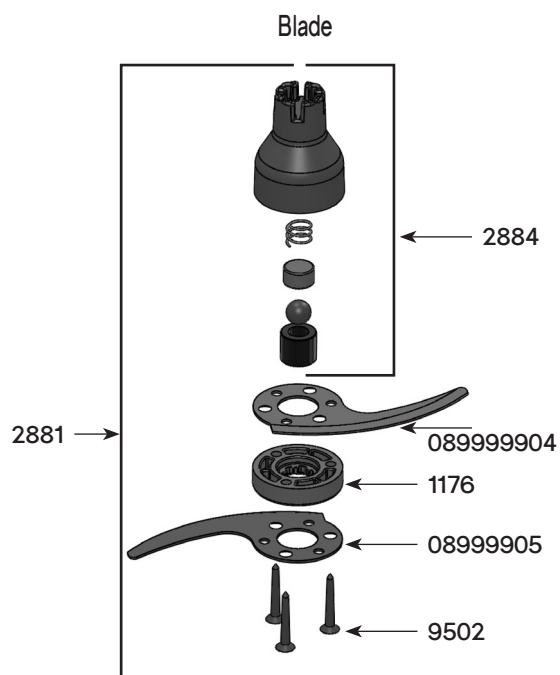
Base	1178
Equipped cover	2880
Blade	2881
Bowl	2882

### Equipped lid .....2880

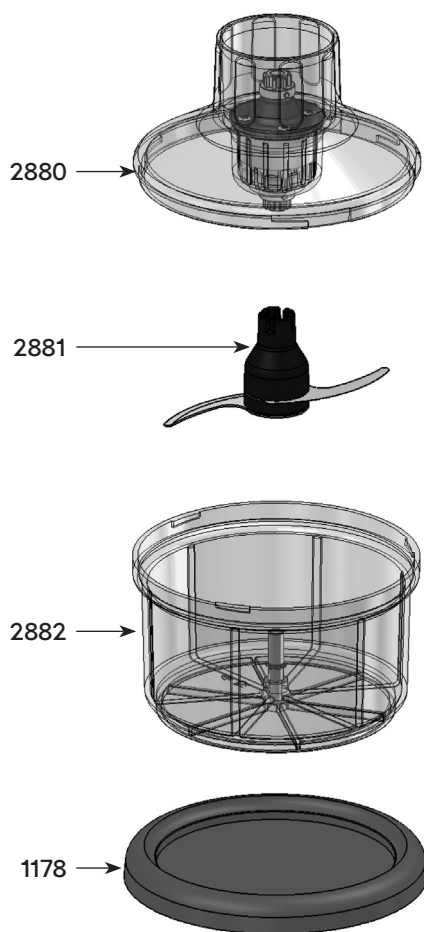
O. ring	0658
O. ring (x4)	2871
Equipped upper shaft	2885
Handle screws (4)	2886
Reduction plate + ring	2887
Lid + reduction gear	2888

### Blade ..... 2881

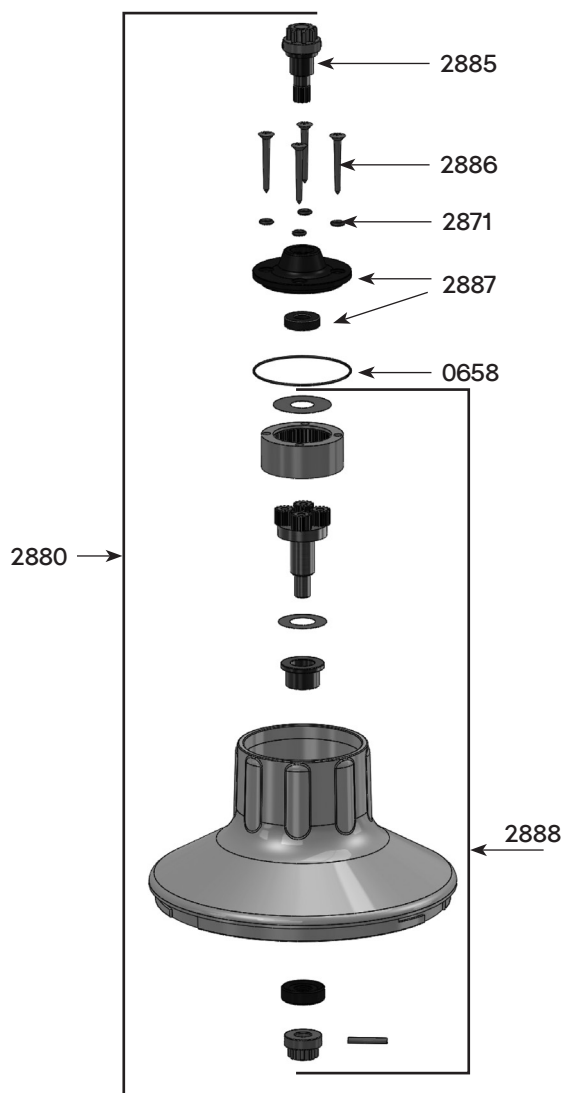
A blade	08999904
B blade	08999905
Blade holder	1176
Equipped cone	2884
Set of screws (x3)	9502



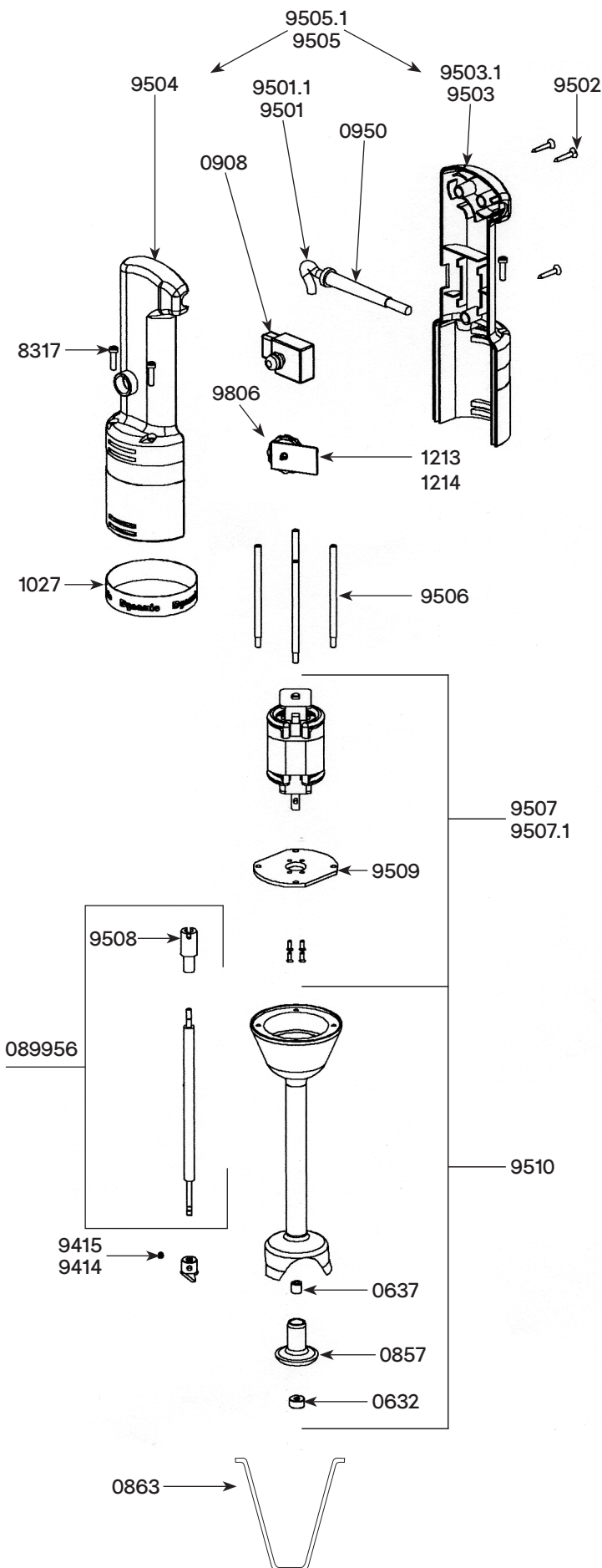
### Dynamix cutter



### Equipped lid







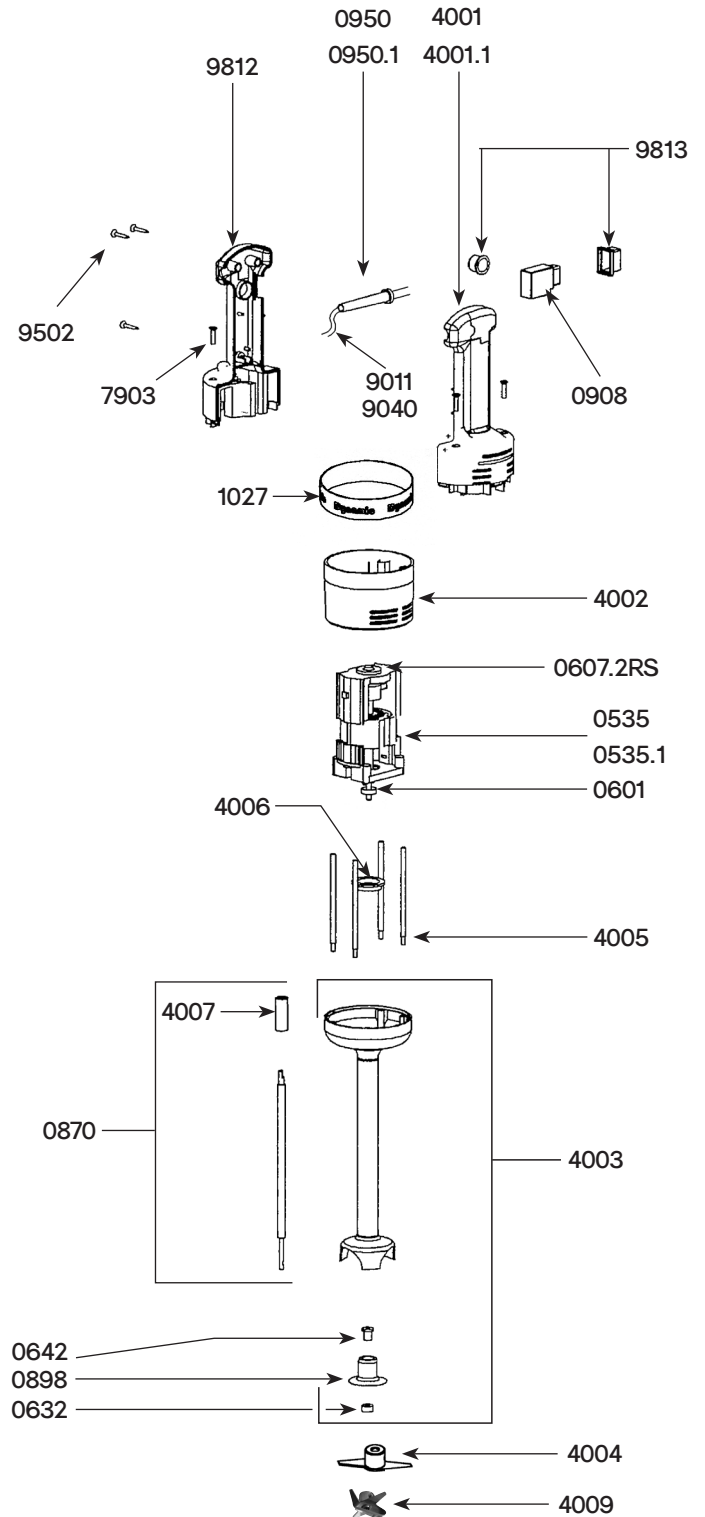
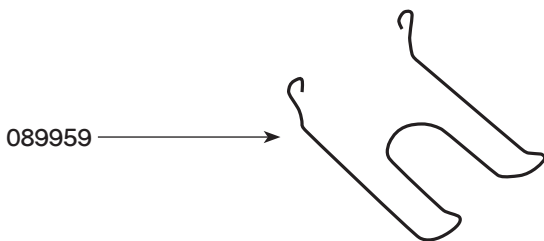
## Parts list

## Code

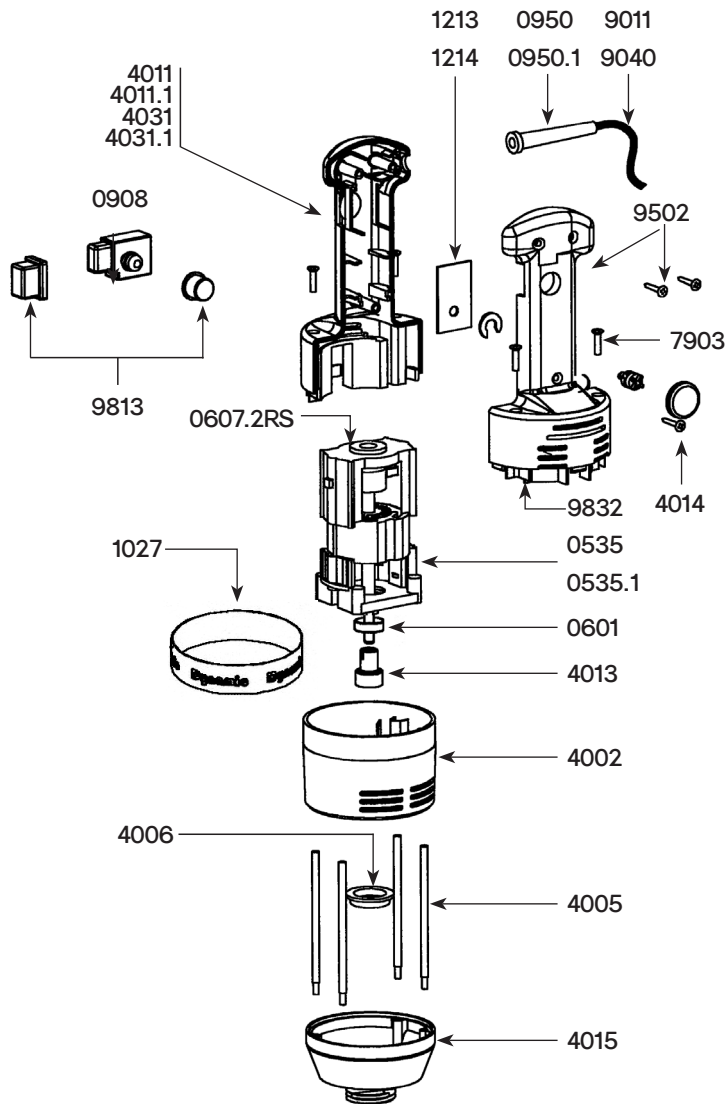
Parts list	Code
Waterproof seal	0632
Self-lubricating ring	0637
Bearing holder	0857
Hook	0863
Complete stainless steel shaft + coupling	089956
Non-locking switch	0908
Filtering Capacitor	0909
Strain relief 230 V	0950
Strain relief 115 V	0950.1
Dynamic label	1027
Variator 230V	1213
Variator 115V	1214
Brace screws (4)	8317
Power cord (UK)	9067
Emulsifying blade	9414
Cutter blade w/screws	9415
Power cord 230 V	9501
Power cord 115 V	9501.1
Handle screws (3)	9502
Lower handle w/ label 230 V	9503
Lower handle w/ label 115 V	9503.1
Upper half handle	9504
Complete handle 230 V (w/ sticker, screws, logo, switch, strain relief, power cord)	9505
Complete handle 115 V (w/ sticker, screws, logo, switch, strain relief, power cord)	9505.1
Braces (4)	9506
Motor & screw & capacitor 230 V	9507
Motor & screw & capacitor 115 V	9507.1
Coupling sleeve	9508
Motor holder w/ 4 screws	9509
Foot assembly w/ bearing (exc. shaft + blade)	9510
Carbon brushes (2) 230 V	9512
Carbon brushes (2) 115 V	9512.1
Variable speed control knob	9806

# JUNIOR STANDARD MIXER

Parts list	Code
Motor 230 V	0535
Motor 115 V	0535.1
Lower ball bearing motor	0601
Upper ball bearing motor	0607.2RS
Waterproof seal	0632
Self-lubricating ring	0642
Stainless steel shaft + coupling	0870
Bearing only	0898
Wall bracket	089959
Non-locking switch	0908
Strain relief 230 V	0950
Strain relief 115 V	0950.1
Dynamic label	1027
Label w/ serial number 230 V	1081
Label w/ serial number 115 V	1082
Complete handle 230 V	4000
Lower half handle w/ label 230 V	4001
Lower half handle w/ label 115 V	4001.1
Upper motor housing	4002
Foot assembly w/ bearing (exc. Shaft + blade)	4003
Cutter blade	4004
Braces (4)	4005
Ball bearing ring	4006
Coupling sleeve	4007
Filtering capacitor	4008
Emulsifying blade	4009
Carbon brushes (2) 230 V	4050
Carbon brushes (2) 115 V	4050.1
Brace screws (4)	7903
Power cord 230 V	9011
Power cord 115 V	9040
Power cord (Australia)	9066
Power cord (UK)	9067
Handle screws (3)	9502
Upper half handle	9812
Switch protector	9813



## Power Unit



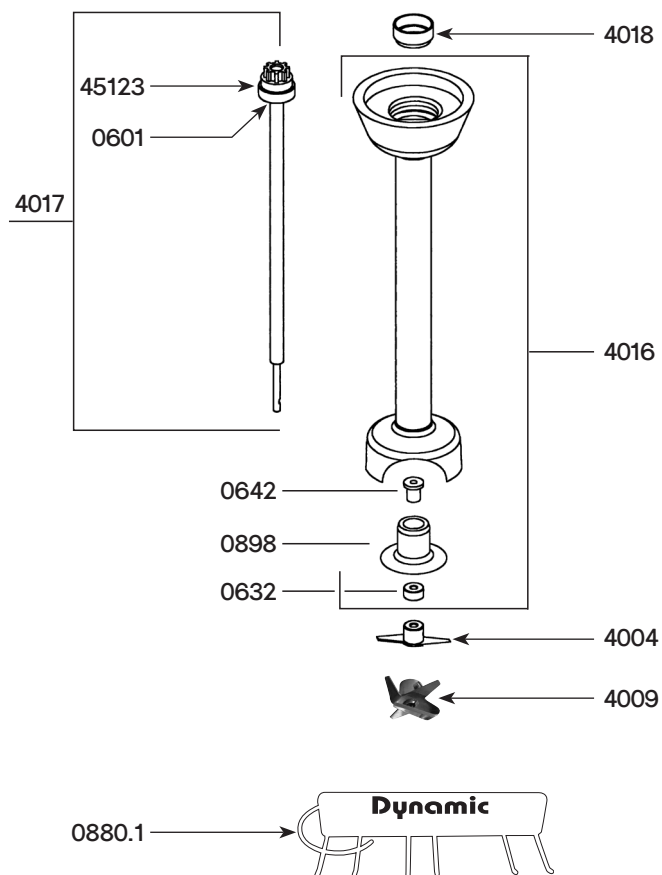
### Parts list

### Code

Stator 230 V	0535
Stator 115 V	0535.1
Lower ball bearing motor	0601
Upper ball bearing motor	0607.2RS
Wall bracket	0880.1
Non-locking switch	0908
Strain relief 230 V	0950
Strain relief 115 V	0950.1
Dynamic label	1027
Id label (Junior Plus) 230V	1084
Id label (Junior Plus) 115V	1085
Id label (Junior Combi) 230V	1086
Id label (Junior Combi) 115V	1087
Speed variator 230V	1213
Speed variator 115V	1214
Upper motor housing	4002
Braces (4)	4005
Ball bearing ring	4006
Complete handle w/ power cord 230V	4010
Complete handle w/ power cord 115V	4010.1
Lower half handle w/ Junior Plus label 230V	4011
Lower half handle w/ Junior Plus label 115V	4011.1
Filtering capacitor	4012
Coupling	4013
Speed variator knob	4014
Lower aluminium motor housing	4015
Complete handle w/ power cord 230V	4030
Complete handle w/ power cord 115V	4030.1
Lower half handle w/ Junior Combi label 230V	4031
Lower half handle w/ Junior Combi label 115V	4031.1
Carbon brushes (2) 230 V	4050
Carbon brushes (2) 115 V	4050.1
Brace screws (4)	7903
Power cord 230 V	9011
Power cord 115 V	9040
Power cord (Australia)	9066
Power cord (UK)	9067
Handle screws (3)	9502
Switch protector	9813
Upper half handle Junior Plus & Junior Combi	9832
Complete motor block (see machine catalogue)	AC100

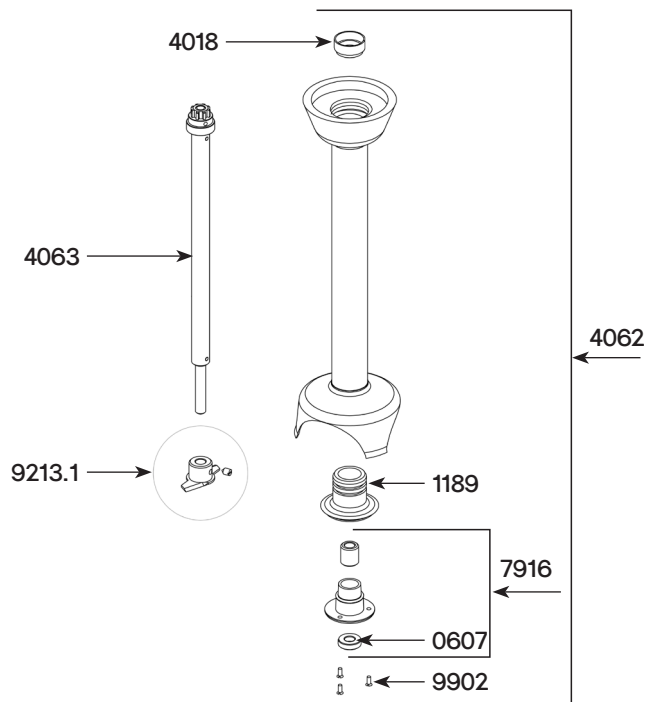
### Complete foot assembly 225

Parts list	Code
Ball bearing	0601
Waterproof seal	0632
Self-lubricating ring	0642
Bearing only	0898
Cutter blade	4004
Emulsifying blade	4009
Foot assembly with bearing	4016
Kit w/ shaft lower ball bearing and coupling	4017
Ball bearing ring	4018
Coupling hub	45123
Complete Junior foot (see machine catalogue)	AC101



### Complete foot assembly XL 300

Parts list	Code
Ball bearing	0601
Waterproof seal for mixer tool	0607
Bearing holder + ring	1189
Ball bearing ring	4018
Foot assembly with bearing	4062
Kit w/ shaft lower ball bearing and coupling	4063
Lower bearing assembly	7916
Cutter blade with screws	9213.1
Lower bearing screws - Stainless steel	9902
Coupling hub	45123
Complete Junior XL 300 attachment (see machine catalogue)	AC105



### Whisk tool

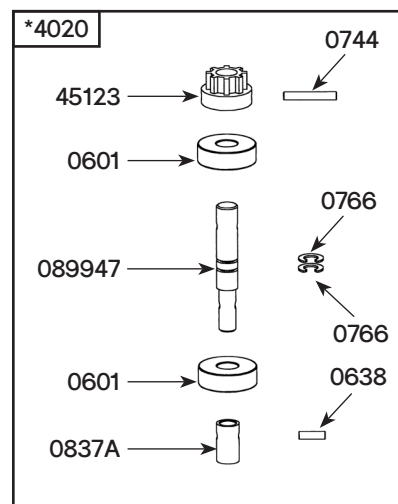
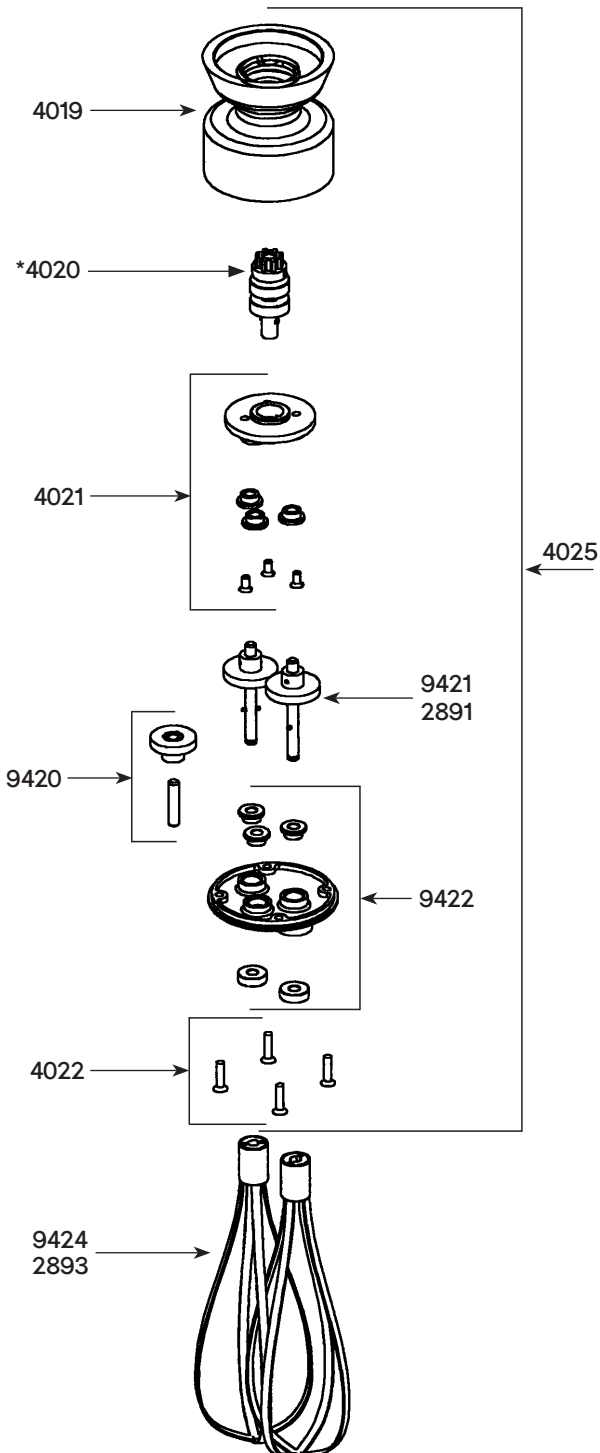
Parts list

Code

Ball bearing	0601
Pins 3 x 10	0638
Pins 3 x 20	0744
Open head locking washer (unit)	0766
Entry gear	0837A
Lower motor whisk housing	4019
Equipped upper shaft (complete)	4020
Plate w/ seals and screws	4021
Holder assembly screws (4)	4022
Reduction gear assembly	4025
Middle gear & shaft	9420
Equipped output axle w/ 2 gears+pins	9421
Holder assembly w/ 3 self-lubricating rings	9422
Whisk tool (2)	9424
Coupling hub	45123
Upper driving shaft	089947
Complete Junior Whisk tool (see machine catalogue)	AC102

Extractible version

Equipped output shaft w/2gears + pins	2891
Whisks (2)	2893



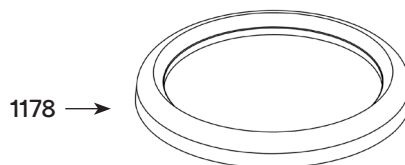
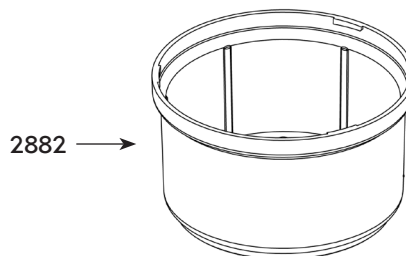
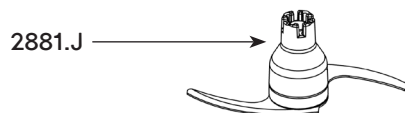
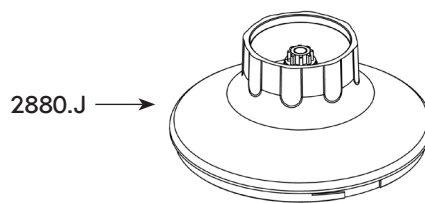
## JUNIOR Cutter

Parts list

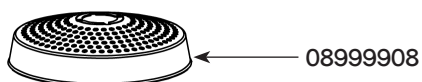
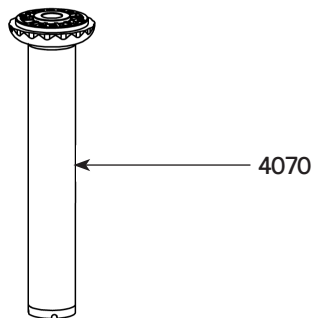
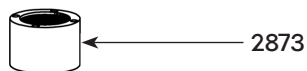
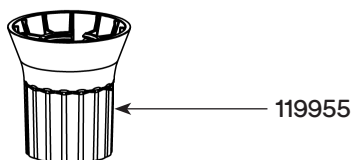
Code

Base	1178
Equipped cover	2880.J
Blade	2881.J
Bowl	2882

## JUNIOR Cutter



## JUNIOR Potato ricer

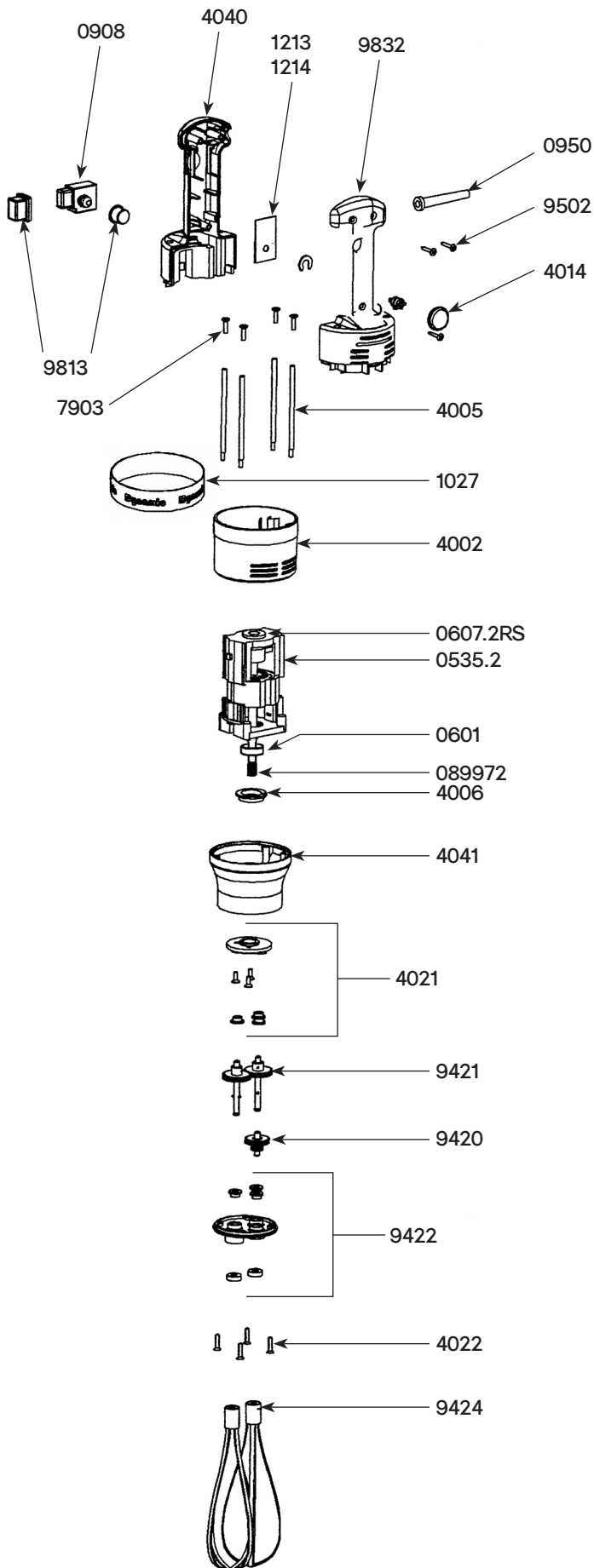


## JUNIOR Potato ricer

Parts list

Code

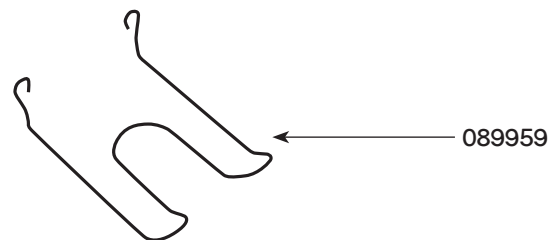
Potato grid Junior	08999908
Potato blade Junior	08999909
O. ring	0650
Secured washer	1181
Grid holder	1195
Compression washer	1196
Ricer interior carter Junior	119955
Handle screws (x 4)	2870
O. ring (x 4)	2871
Interior geared crown	2873
Equipped spacer for potato ricer Junior	4070
Equipped output shaft Junior	4071
Nut holder + nut Junior	4072
Equipped upper shaft Junior	4073



## Parts list

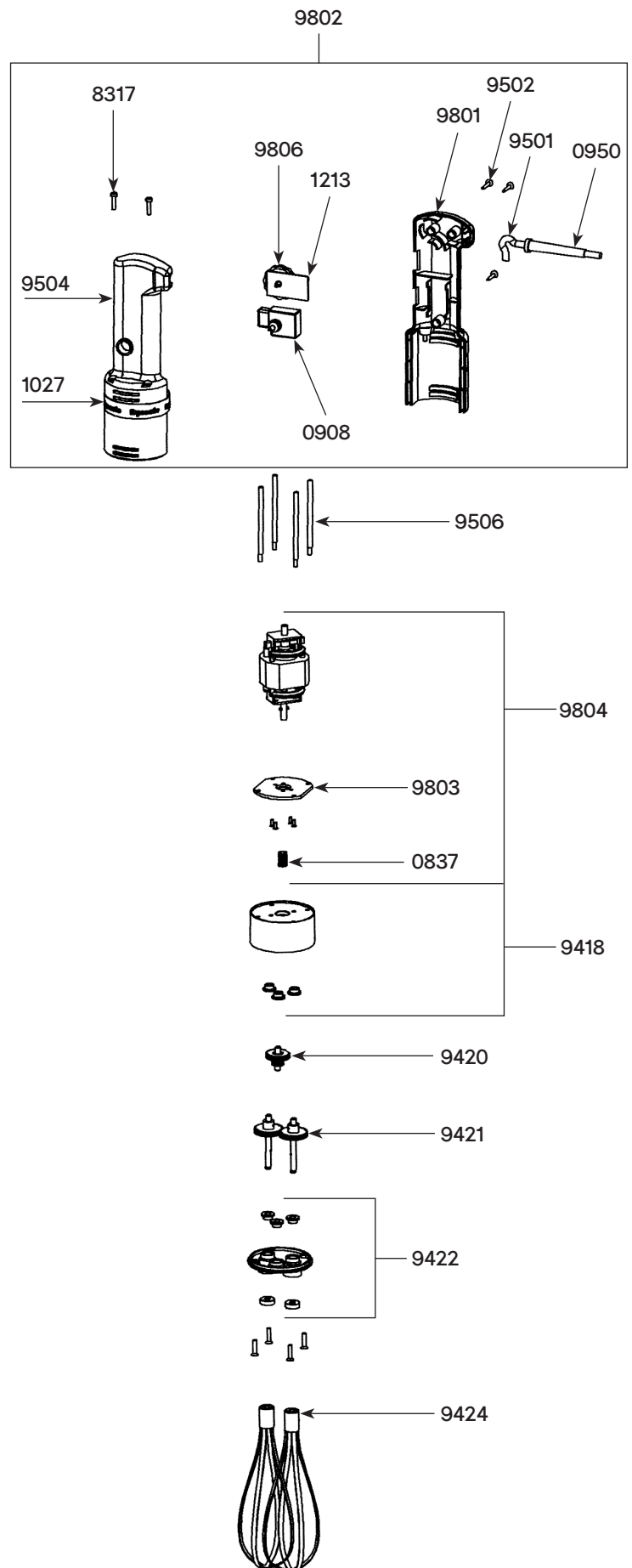
## Code

Motor 230 V + Gear	0535.2
Motor 115 V + Gear	0535.3
Lower ball bearing motor	0601
Upper ball bearing motor	0607.2RS
Pin 3x14	0745
Non-locking switch	0908
Strain relief 230 V	0950
Strain relief 115 V	0950.1
Dynamic label	1027
Speed variator 230 V	1213
Speed variator 115 V	1214
Upper motor housing	4002
Braces (4)	4005
Ball bearing ring	4006
Filtering capacitor	4012
Speed variator knob	4014
Plate w/ seals and screws	4021
Holder assembly screws	4022
Lower half handle w/ Junior Whisk label 230 V	4040
Lower half handle w/ Junior Whisk label 115 V	4040.1
Lower aluminium motor housing	4041
Complete handle Junior Whisk 230 V	4042
Complete handle Junior Whisk 115 V	4042.1
Carbon brushes (2) 230 V	4050
Carbon brushes (2) 115 V	4050.1
Brace screws (4)	7903
Power cord 230 V	9011
Power cord 115 V	9040
Power cord Australia	9066
Power cord UK	9067
Middle gear & axle	9420
Equipped output axle w/ 2 gears+pins	9421
Holder assembly w/ seals & washer	9422
Whisk tool (2)	9424
Handle screws (3)	9502
Switch protector	9813
Upper half handle	9832
Label w/ serial number 230 V	1099.10
Label w/ serial number 115 V	1099.11
Wall bracket	089959
Gear + Pin	089972

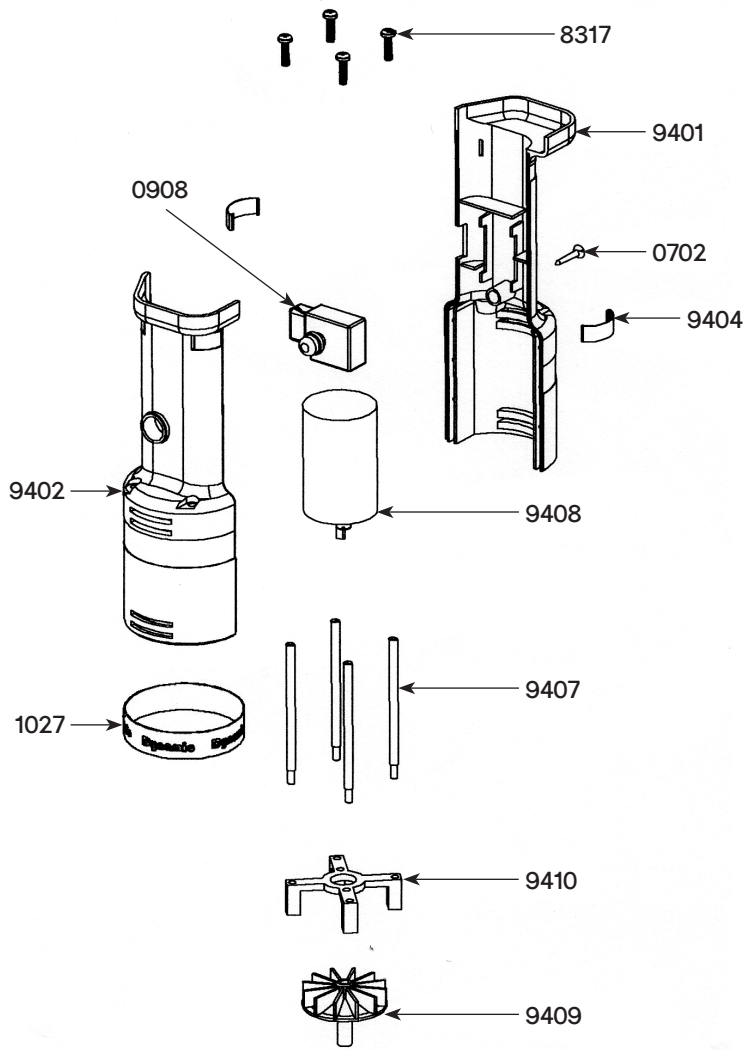


# FD 98 HANDY WHISK

Parts list	Code
Pin for gear	0638
Enter gear	0837
Non-locking switch	0908
Capacitor	0909
Strain relief 230 V	0950
Strain relief 115 V	0950.1
Dynamic label	1027
ID label 230 V	1059
ID label 115 V	1060
Speed variator w/ knob 230 V	1213
Speed variator w/ knob 115 V	1214
Brace screws (4)	8317
Whisk connection box w/ 3 rings	9418
Middle gear & axle	9420
Output axle	9421
Holder assembly w/ 3 self-lubricating rings	9422
Whisk tool (2)	9424
Power cord 230 V	9501
Power cord 115 V	9501.1
Handle screws (3)	9502
Upper half handle	9504
Braces	9506
Half handle label side 230 V	9801
Half handle label side 115 V	9801.1
Complete handle 230 V (w/ variator, power cord, switch and strain relief)	9802
Complete handle 115 V (w/ variator, power cord, switch and strain relief)	9802.1
Motor holder	9803
Motor support w/ 4 screws 230 V	9804
Motor support w/ 4 screws 115 V	9804.1
Variator knob	9806

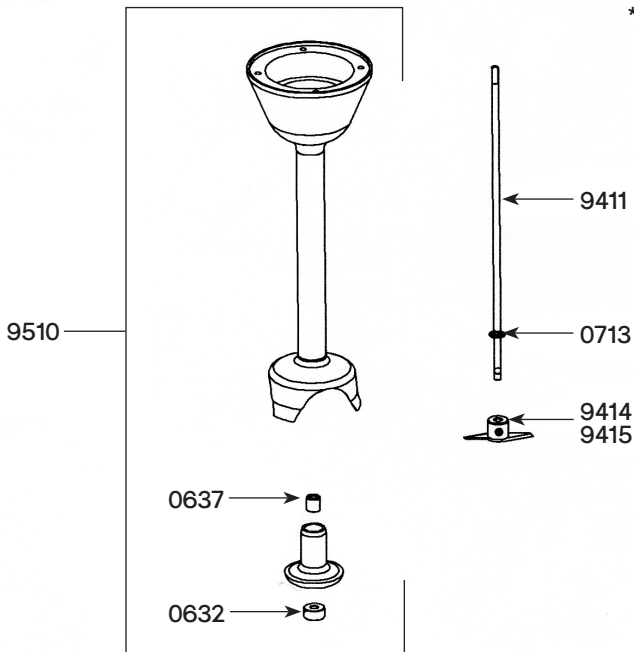






Parts list	Code
Waterproof seal	0632
Self-lubricating ring	0637
Handle screw (1)	0702
Locking washer	0713
Non-locking switch	0908
Dynamic label	1027
Brace screws (4)	8317
Half handle (label side)	9401
Upper half handle	9402
Clips (2)	9404
Braces (4)	9407
Motor	9408
Fan (coupling)	9409
Motor holder + screws	9410
Main shaft + locking washer	9411
Emulsifying blade	9414
Cutter blade w/ screw	9415
Complete handle	9430
Foot assembly w/ bearing (exc. shaft + blade)	9510

\*Mini cordless since :  
01/01/2002



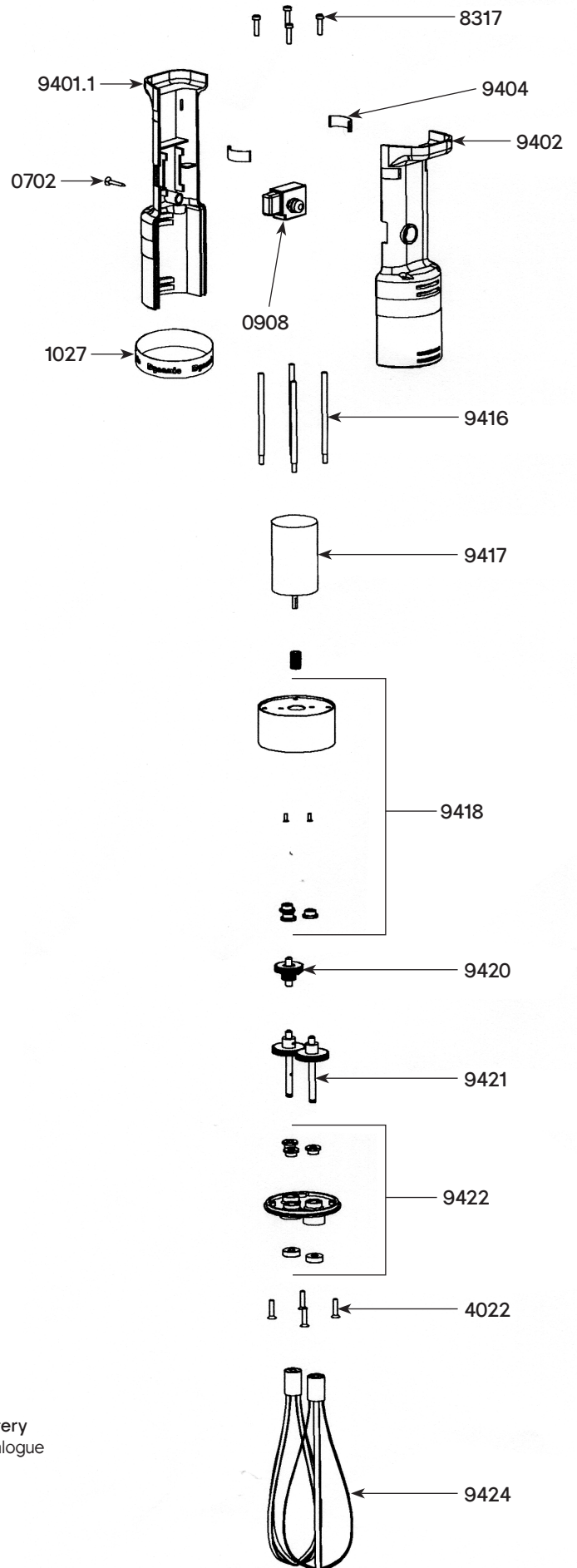
Charger and battery  
See machine catalogue



\*Upon stock availability

# \*FTP 94 MINI CORDLESS WHISK

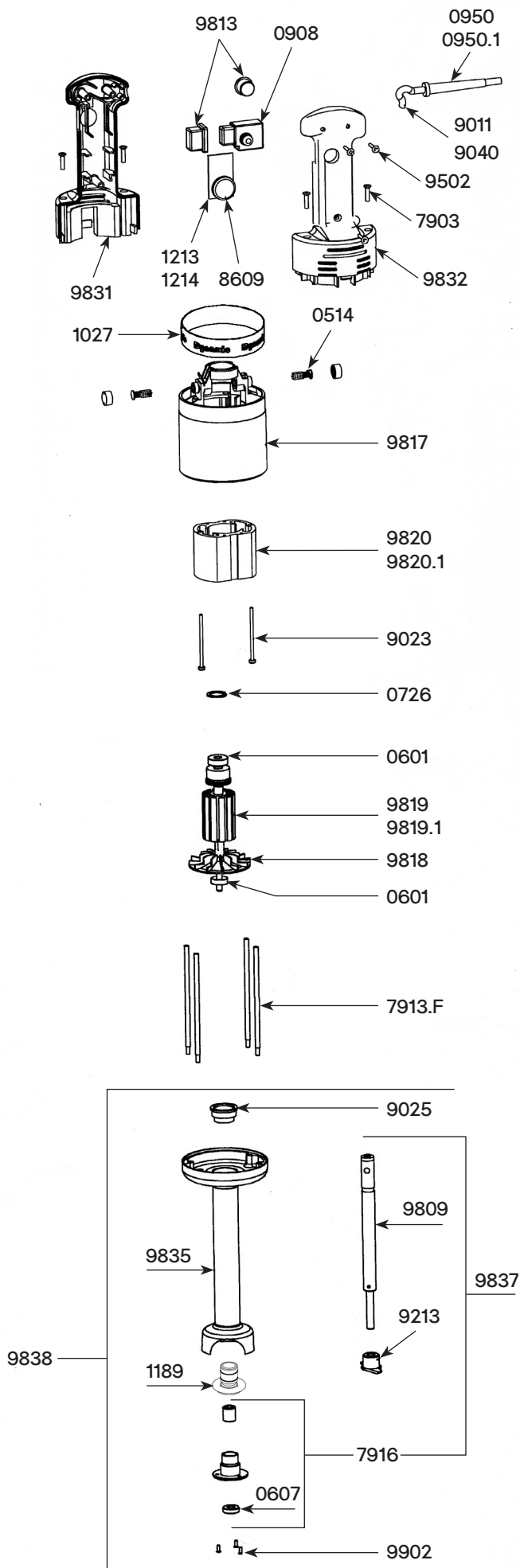
Parts list	Code
Handle screw (1)	0702
Non-locking switch	0908
Dynamic label	1027
Holder assembly screws	4022
Brace screws (4)	8317
Lower half handle (label side)	9401.1
Upper half handle	9402
Clips (2)	9404
Braces (4)	9416
Motor & gear	9417
Whisk connection box w/ 3 rings	9418
Middle gear & axle	9420
Equipped output shaft w/ 2 gears + 2 pins	9421
Holder assembly w/ seals & washer+D331	9422
Whisks (2)	9424
Complete handle	9431



Charger and battery  
See machine catalogue

\*Upon stock availability

**IMPORTANT :** Each spare part order must include the type and the number of the product which appears on the identification plate.



## Parts list

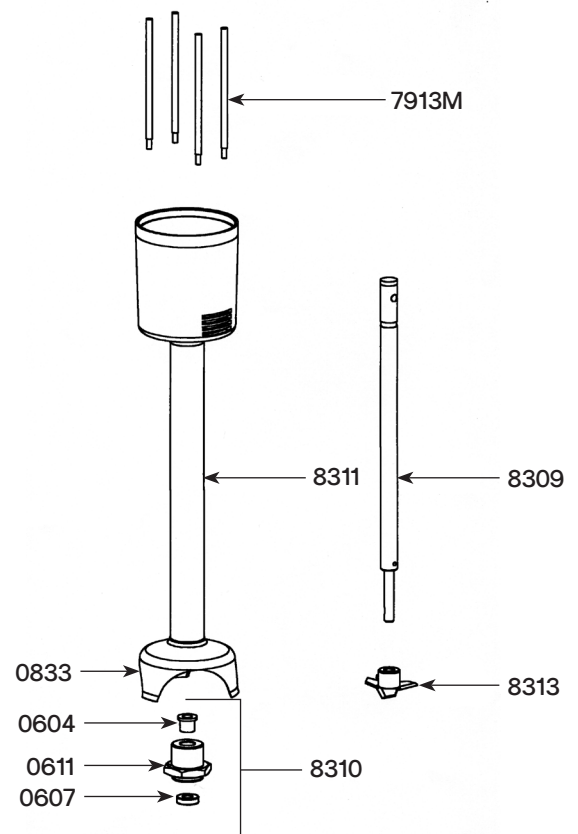
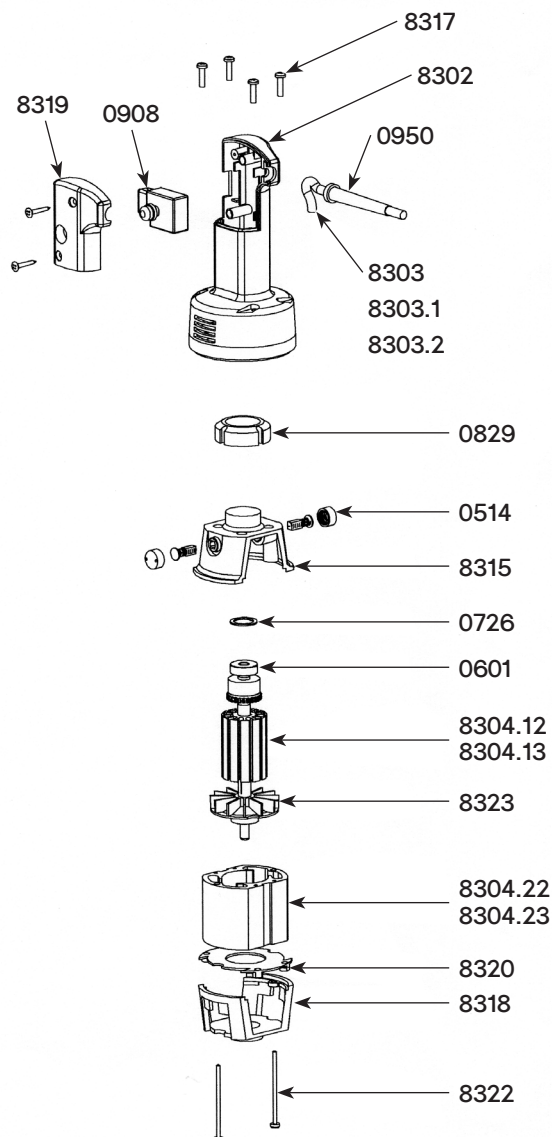
## Code

Carbon brushes (2)	0514
Ball bearing	0601
Waterproof seal	0607
Squeezing washer	0726
Non-locking switch	0908
Capacitor	0909
Strain relief 230 V	0950
Strain relief 115V	0950.1
Warning label	1017
Dynamic label	1027
Label w/ serial number 230 V	1065
Label w/ serial number 115 V	1066
bearing holder + ring	1189
Variable speed control board 230 V	1213
Variable speed control board 115 V	1214
Brace screws (4)	7903
Braces (4)	7913.F
Lower bearing assembly	7916
Variable speed control button	8609
Power cord (2 cords) 230 V	9011
Stator screws (2)	9023
Self-lubricating ring	9025
Power cord 115 V	9040
Power cord (Australia)	9066
Power cord (UK)	9067
Cutter blade w/ screws	9213
Handle screws (3)	9502
Shaft	9809
Switch protector	9813
Upper motor casing (w/ carbon brushes holder)	9817
Fan	9818
Rotor 230 V	9819
Rotor 115 V	9819.1
Stator 230 V (w/ carter, carbon brushes holder)	9820
Stator 115 V (w/ carter, carbon brushes holder)	9820.1
Complete handle w/ slot for speed control knob 230 V	9830
Complete handle w/ slot for speed control knob 115 V	9830.1
Lower half handle (label side) 230V	9831
Upper half handle (label side) 115V	9831.1
Upper half handle	9832
Foot assembly (tube + housing + bell + bearing)	9835
Motor & shaft housing	9837
Complete foot assembly	9838
Lower bearing screws - Stainless steel (3)	9902

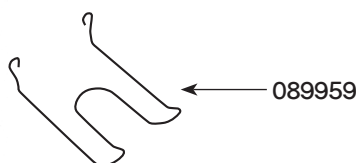
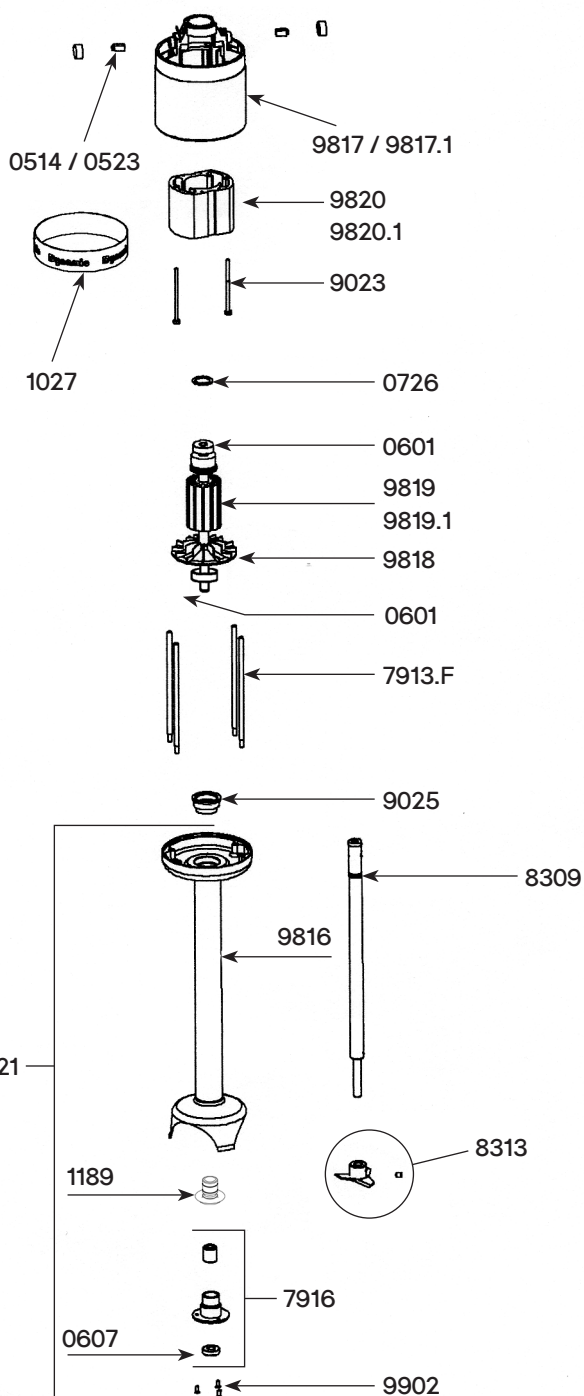
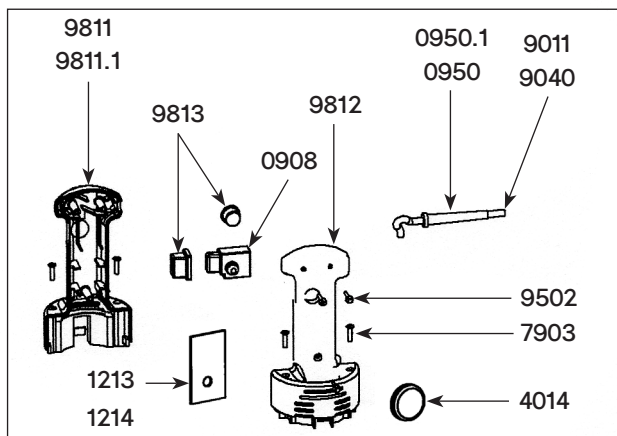
# PMX 83 MIXER

Parts list	Code
Carbon brushes (2)	0514
Ball bearing	0601
Self-lubricating ring	0604
Waterproof seal	0607
O. ring	0611
Motor self-lubricating ring	0829
Hook	0860
Stainless steel bell	0833
Non-locking switch	0908
Capacitor	0909
Strain relief 230 V	0950
Strain relief 115 V	0950.1
Braces (4)	7913M
Complete handle 230 V	8301
Complete handle 115 V	8301.1
Handle only w/ screws	8302
Power cord 230 V	8303
Power cord (UK)	8303.1

Parts list	Code
Power cord 115 V	8303.2
Power cord (Australia)	8303.3
Complete Motor 230 V	8304
Complete Motor 115 V	8304.1
Rotor 230 V	8304.12
Rotor 115 V	8304.13
Stator 230 V	8304.22
Stator 115 V	8304.23
Shaft	8309
S.S. lower ball bearing assembly	8310
Motor & shaft housing	8311
Cutter blade w/ screw	8313
Upper motor casing (w/ carbon brushes holder)	8315
Lower motor casing	8317
Handle cover + screws	8318
handle casing + screws	8319
Deflector	8320
Ground wire	8321
Screws w/ ground washer	8322
Fan	8323



9810  
9810.1



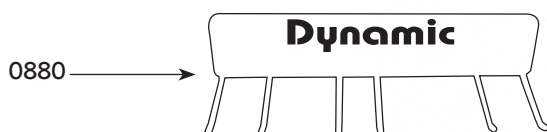
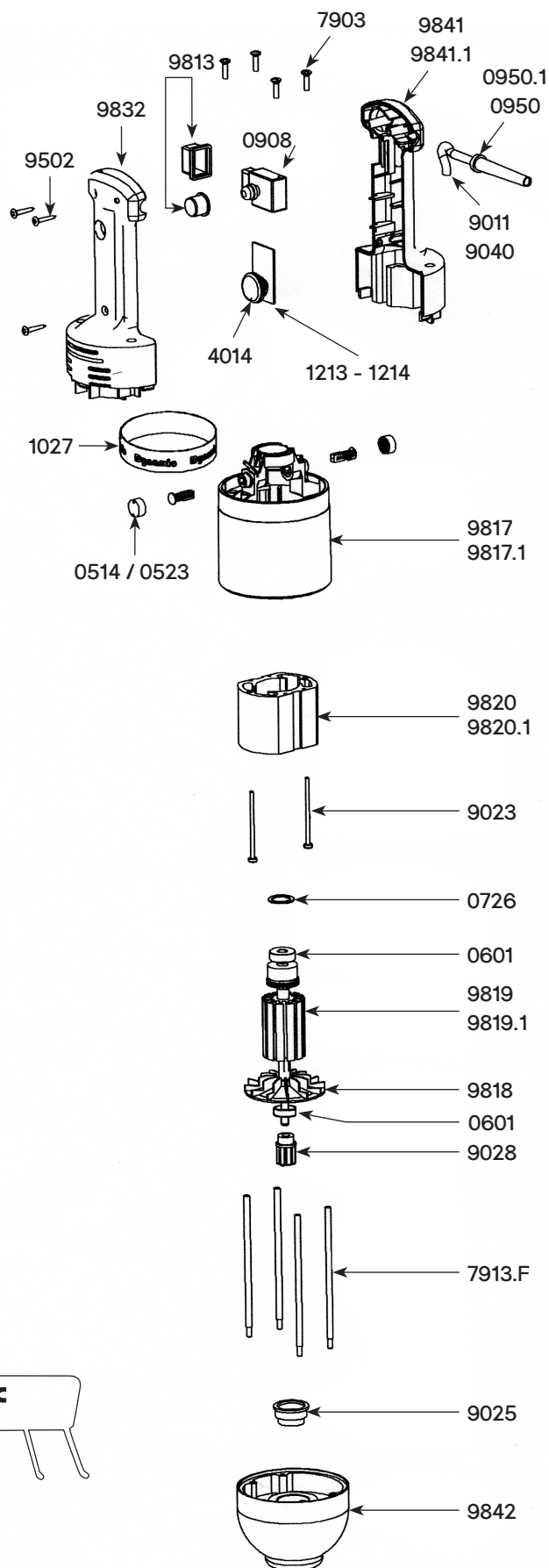
## Parts list

## Code

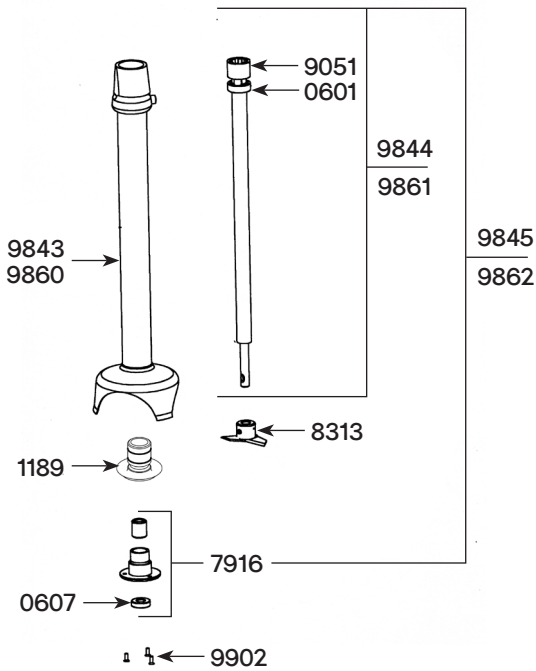
Carbon brushes (2) (230V)	0514
Carbon brushes (2) (115V) (from N°130803)	0523
Ball bearing	0601
Waterproof seal	0607
Squeezing washer	0726
Wall bracket	089959
Non-locking switch	0908
Strain relief 230 V	0950
Strain relief 115V	0950.1
Capacitor	0972.1
Warning label	1017
Dynamic label	1027
Label w/ serial number 230 V	1063
Label w/ serial number 115 V	1064
Bearing holder + seal	1189
Speed variator (option) (230V)	1213
Speed variator (option) (115V)	1214
Variable speed control knob	4014
Brace screws (4)	7903
Braces (4)	7913.F
Lower ball bearing assembly	7916
Shaft	8309
Cutter blade w/ screw	8313
Power cord 230 V	9011
Stator screws (2)	9023
Ball bearing ring	9025
Power cord 115 V	9040
Power cord (Australia)	9066
Power cord (UK)	9067
Handle screws (3)	9502
Complete handle 230 V	9810
Complete handle 115 V	9810.1
Lower half handle w/ label 230 V	9811
Lower half handle w/ label 115 V	9811.1
Upper half handle	9812
Switch protector (2)	9813
Motor & shaft housing + bearing	9816
Upper motor casing (w/ carbon brushes holders) (230V)	9817
Upper motor casing (w/ carbon brushes holders) (115V) (from N°130803)	9817.1
Fan	9818
Rotor 230 V	9819
Rotor 115 V	9819.1
Stator 230 V (w/ carter, carbon brushes holders)	9820
Stator 115 V (w/ carter, carbon brushes holders)	9820.1
Complete foot assembly	9821
Shaft, lower ball bearing & cutter assembly	9836
Lower bearing screws - Stainless steel (3)	9902

# PMDH / PMF 250 MOTOR BLOCK

Parts list	Code
Carbon brushes (2) (230V)	0514
Carbon brushes (2) (115V) (from N°130425)	0523
Ball bearing	0601
Squeezing washer	0726
Wall bracket	0880
Non-locking switch	0908
Capacitor	0909
Strain relief 230 V	0950
Strain relief 115V	0950.1
Warning label	1017
Dynamic label	1027
Label w/ serial number 230 V	1071
Label w/ serial number 115 V	1072
Variable speed control board 230 V	1213
Variable speed control board 115 V	1214
Variable speed control knob	4014
Brace screws (4)	7903
Braces (4)	7913.F
Power cord 230 V	9011
Stator screws (2)	9023
Self-lubricating ring	9025
Coupler for armature	9028
Power cord 115 V	9040
Power cord (UK)	9067
Handle screws (3)	9502
Switch protector	9813
Upper motor casing (230V)	9817
Upper motor casing (115V) (from N°130425)	9817.1
Fan	9818
Rotor w/ o coupling 230 V	9819
Rotor w/o coupling 115 V	9819.1
Stator 230 V w/ carter, carbon brushes holders	9820
Stator 115 V w/ carter, carbon brushes holders	9820.1
Upper half handle	9832
Complete handle 230 V	9840
Complete handle 115 V	9840.1
Lower half handle w/ label 230 V	9841
Lower half handle w/ label 115 V	9841.1
Aluminium carter + ball bearing	9842
BM 250 Motor block (see machine catalogue)	AC005



PMF - PMDH 250 mixer tool



Parts list

Code

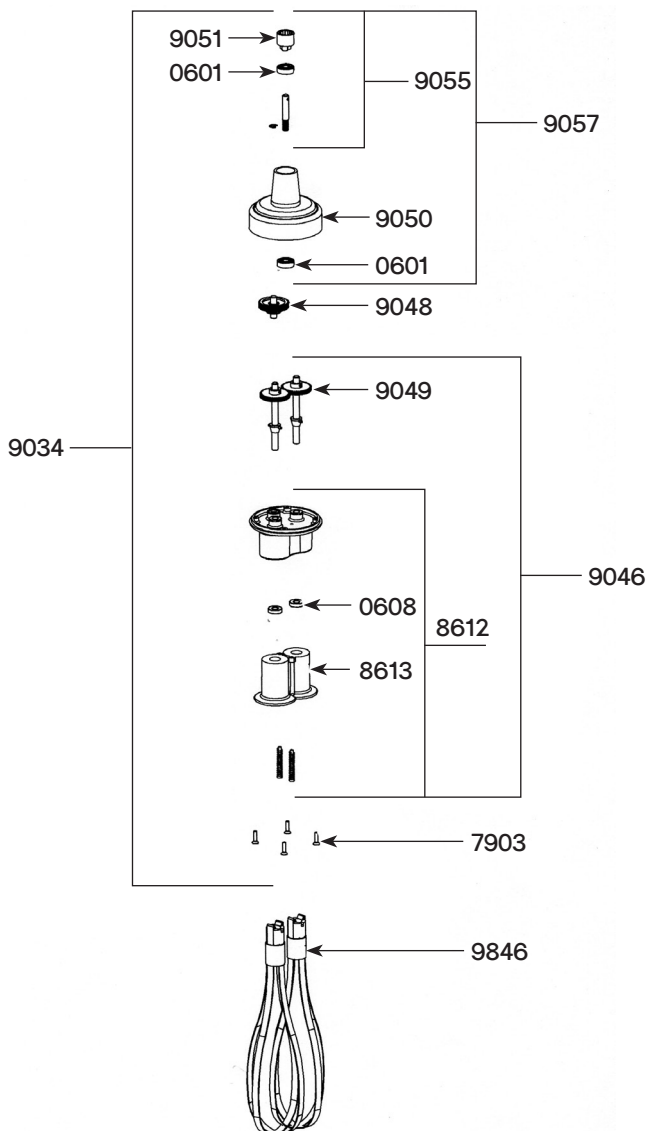
Ball bearing	0601
Waterproof seal	0607
Bearing holder + seal	1189
Lower ball bearing assembly (w/ o screws)	7916
Cutter blade (w/ screw)	8313
Coupling casing + pins	9051
Tube assembly + bearing	9843
Shaft & coupling sleeve	9844
Shaft, lower bearing & cutter assembly	9845
Lower bearing screws - Stainless steel (3)	9902
M 250 Complete Mixer tool (see machine catalogue)	AC006

XL 400 mixer tool

Parts list

Code

Ball bearing	0601
Waterproof seal for mixer tool	0607
Bearing holder + seal	1189
Lower ball bearing assembly (w/ o screws)	7916
Cutter blade (w/ screw)	8313
Coupling casing + pins	9051
Tube assembly + bearing	9860
Shaft & coupling sleeve	9861
Shaft, lower bearing & cutter assembly	9862
Lower bearing screws - Stainless steel (3)	9902



PMF 250 whisk tool

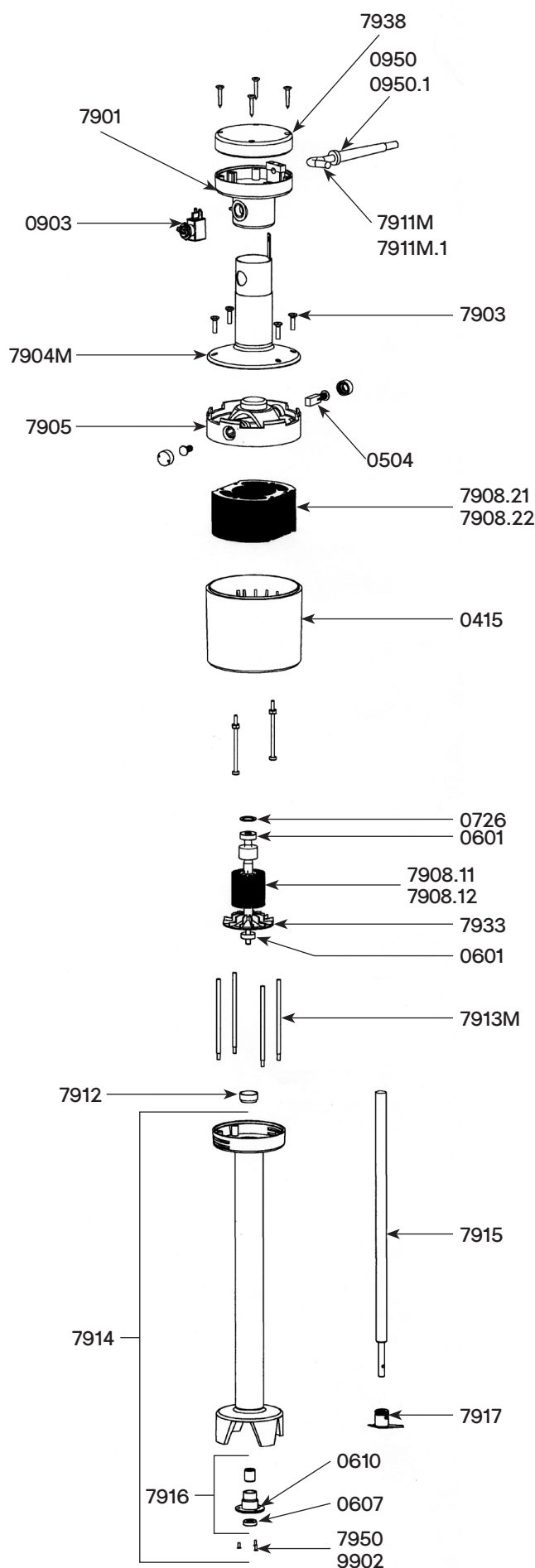
Parts list

Code

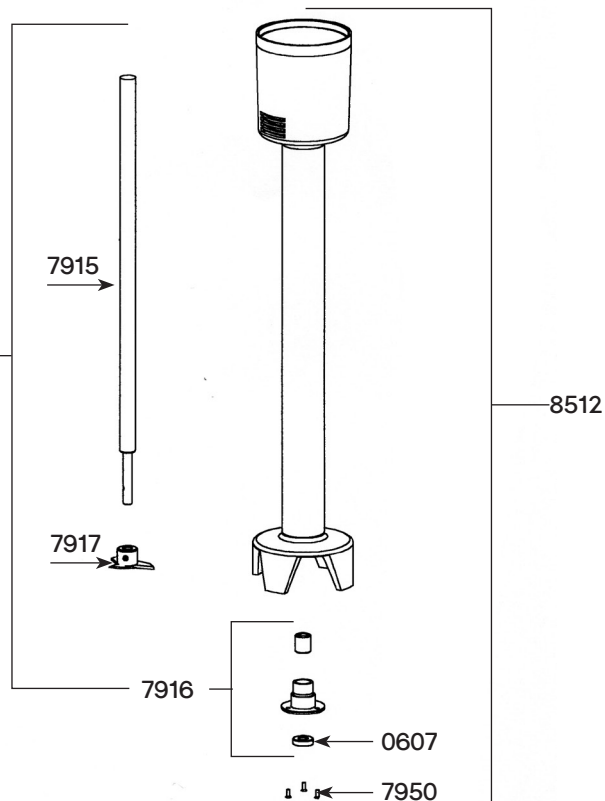
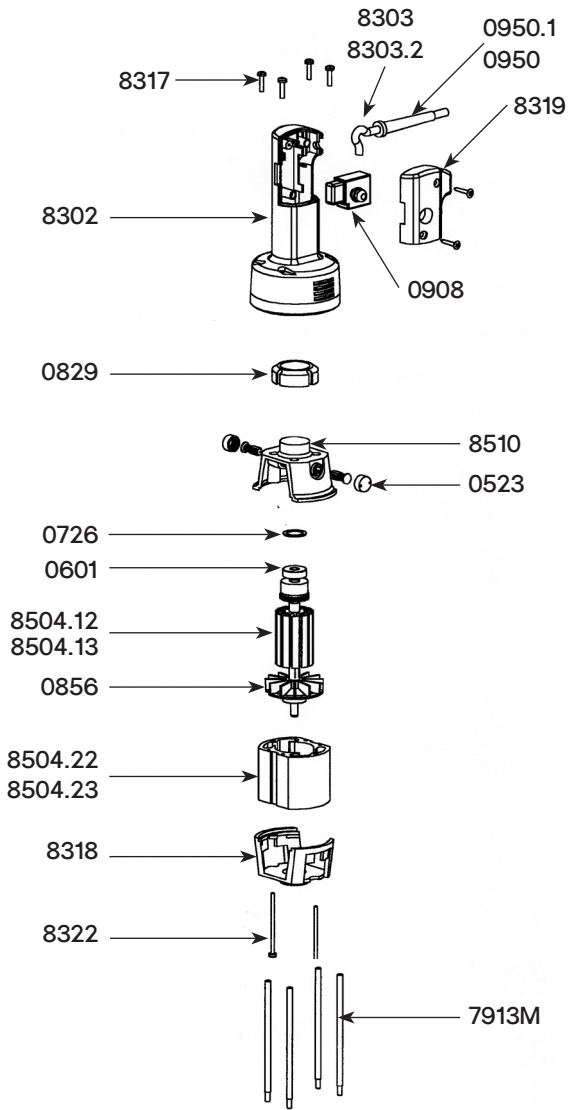
Ball bearing	0601
Waterproof seal for whisk	0608
Pin 3 X 20	0744
Pin 3 X 14	0745
Brace screws (4)	7903
Holder + plastic ejector + seal	8612
Plastic ejectors (pair)	8613
Reduction gear assembly	9034
Lower casing w/ o middle gear	9046
Central double gear & shaft	9048
Single gear (2) + pin	9049
Upper plastic casing	9050
Coupling casing + pin	9051
Equipped upper shaft	9055
Complete upper casing	9057
Whisks (2)	9846
F 250 Complete whisk tool (see machine catalogue)	AC007

# MX 79 MIXER

Parts list	Code
Sleeve	0415
Carbon brushes (2)	0504
Ball bearing	0601
Waterproof seal	0607
O. ring	0610
Squeezing washer	0726
Rocking switch	0903
Strain relief 230 V	0950
Strain relief 115 V	0950.1
Complete handle	7901
Brace screws (4)	7903
ID plate 230 V	7904M
ID plate 115 V	7904M.1
Motor housing w/ carbon brush holder	7905
Motor 230 V	7908
Motor 115 V	7908.1
Rotor with fan 115 V	7908.11
Rotor with fan 230 V	7908.12
Stator 115 V	7908.21
Stator 230 V	7908.22
Power cord 230 V	791M
Power cord 115 V	791M.1
Power cord (UK)	791M.2
Power cord (Australia)	791M.3
Ball bearing ring	7912
Brace (4)	7913M
Foot assembly w/ lower bearing assembly	7914
Shaft & coupling sleeve	7915
Lower bearing assembly	7916
Cutter blade w/ screw	7917
Capacitor	7931
Fan	7933
Shaft, lower bearing & cutter assembly	7934
Handle top w/screw	7938
Lower bearing screws - Alu (3)	7950
Lower bearing screws - Stainless steel (3)	9902







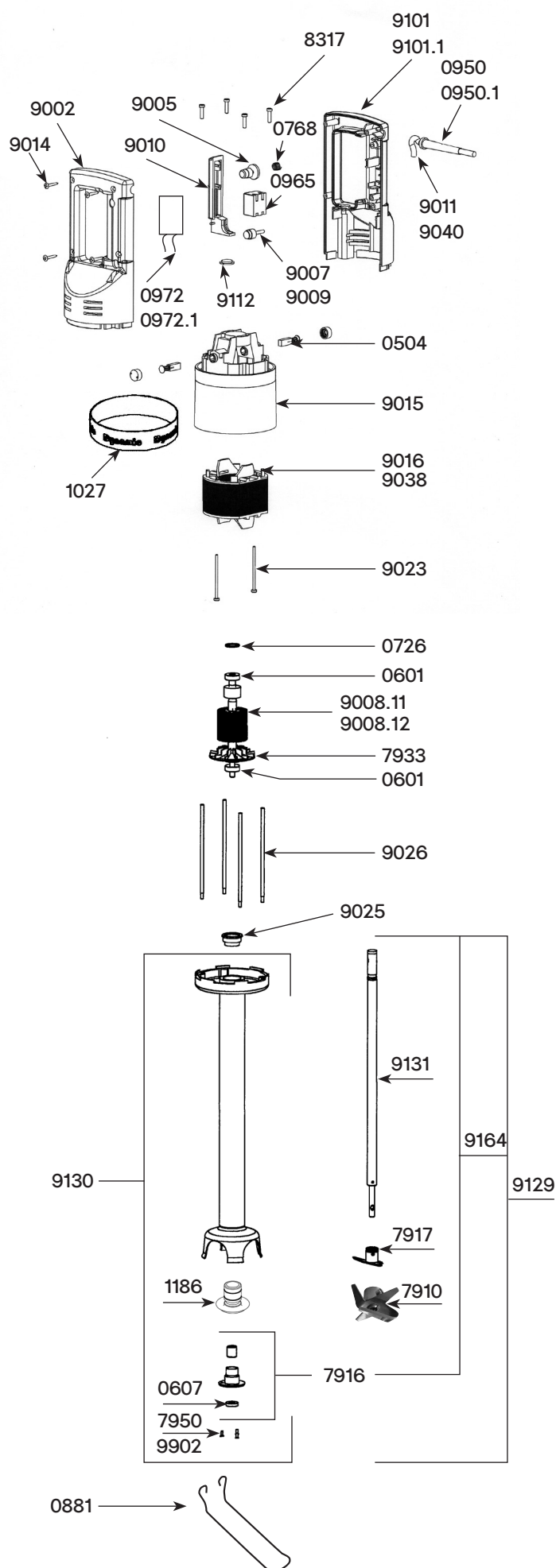
## Parts list

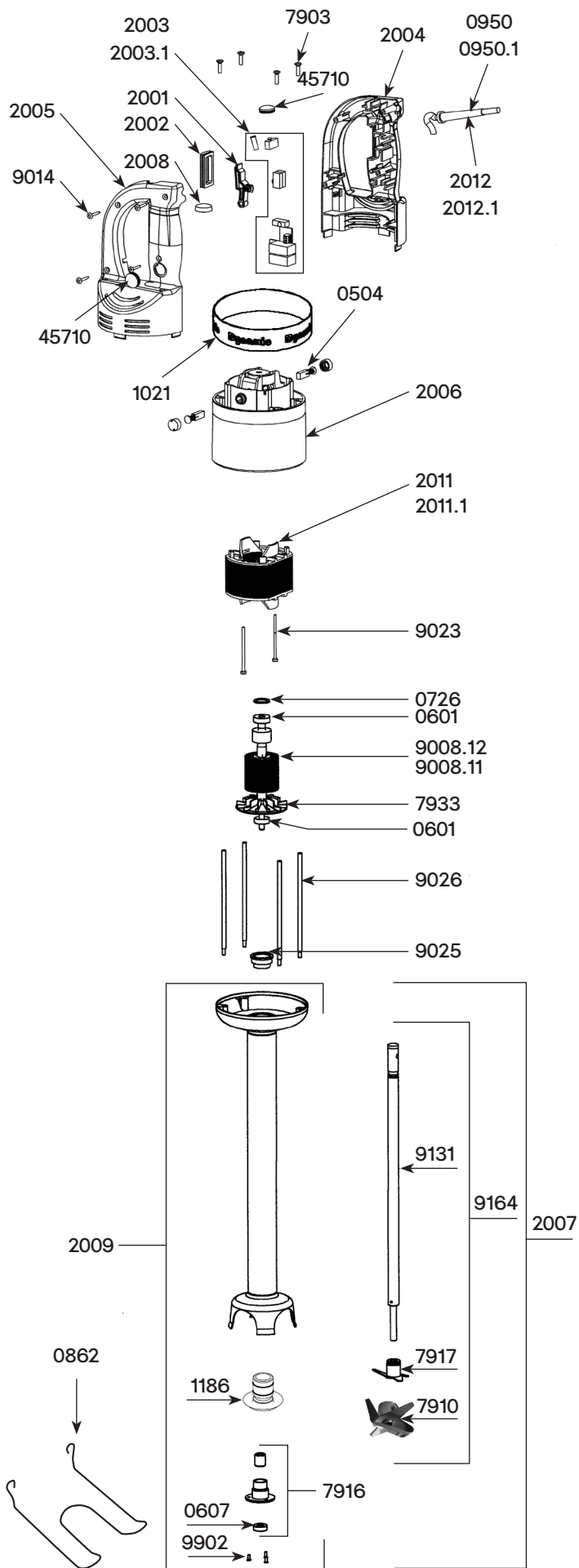
## Code

Carbon brushes (2)	0523
Ball bearing	0601
Waterproof seal	0607
O. ring	0610
Squeezing washer	0726
Motor self-lubricating ring	0829
Fan	0856
Hook	0860
Non-locking switch	0908
Capacitor	0909
Strain relief 230 V	0950
Strain relief 115 V	0950.1
Brace (4)	7913M
Shaft	7915
Lower bearing assembly	7916
Cutter blade w/ screw	7917
Shaft, lower bearing & cutter assembly	7934
Lower bearing screws - Alu (3)	7950
Complete handle 230 V	8301
Complete handle 115 V	8301.1
Handle only w/ screws	8302
Power cord 230 V	8303
Power cord (UK)	8303.1
Power cord 115 V	8303.2
Power cord (Australia)	8303.3
Brace screws (4)	8317
Lower motor casing	8318
Cover for handle	8319
Ground wire	8321
Screws w/ ground washer	8322
Motor 230 V	8504
Motor 115 V	8504.1
Rotor 230 V	8504.12
Rotor 115 V	8504.13
Stator 230 V	8504.22
Stator 115 V	8504.23
Upper motor casing (w/ carbon brushes holder)	8510
Foot assembly w/ lower ball bearing assembly	8512

# MX 91 MIXER

Parts list	Code
Motor brushes (2)	0504
Ball bearing	0601
Waterproof seal	0607
Squeezing washer	0726
Lock button return spring	0767
Safety button return spring	0768
Wall bracket	0881
Long wall bracket	0881L
Strain relief 230 V	0950
Strain relief 115 V	0950.1
Switch (230 V / 115 V)	0965
Capacitor	0972
Capacitor + filter	0972.1
Warning label	1017
Dynamic label	1027
Label w/ serial number 230 V	1028
Label w/ serial number 115 V	1029
bearing holder + seal	1186
Emulsifying blade	7910
Lower bearing assembly	7916
Cutter blade	7917
Fan	7933
Lower bearing screws - Alu (3)	7950
Brace screws (4)	8317
Upper half handle (button side)	9002
Safety switch	9005
Locking switch	9007
Rotor 115 V	9008.11
Rotor 230 V	9008.12
Plug	9009
Control lever	9010
Power cord 230 V	9011
Handle screws (4)	9014
Motor housing brush holder	9015
Stator 230 V	9016
Stator screws (2)	9023
Ball bearing ring	9025
Braces (4)	9026
Stator 115 V	9038
Power cord 115 V	9040
Carbon brush wires 230 V	9043
Power cord (Australia)	9066
Power cord (UK)	9067
Complete handle w/ power cord 230 V	9100
Complete handle w/ power cord 115 V	9100.1
Half handle, label side (230V)	9101
Half handle, label side (115V)	9101.1
Speed control knob	9112
Complete foot assembly	9129
Foot assembly w/ bearing assembly	9130
Fitted shaft	9131
Carbon brush wires 115 V	9143
Shaft, lower bearing & cutter assembly	9164
Lower bearing screws - Stainless steel (3)	9902





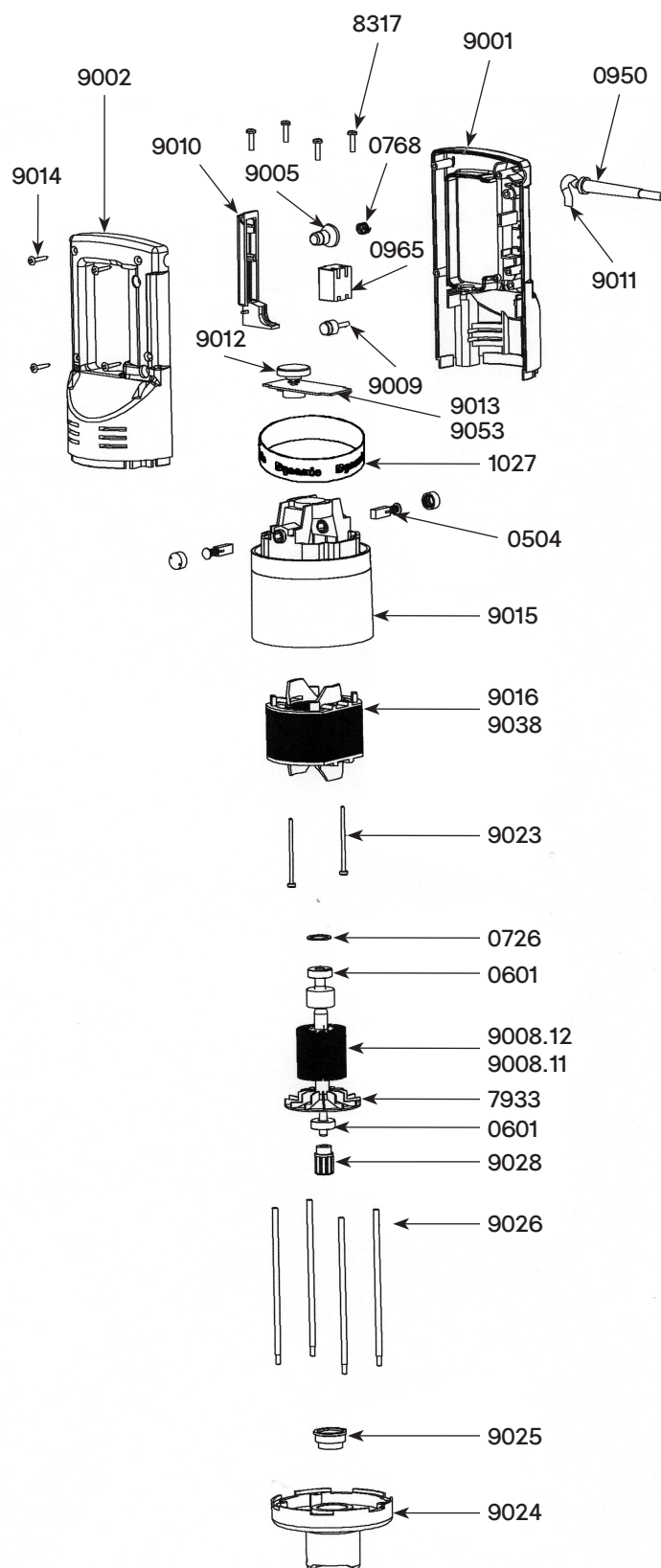
## Parts list

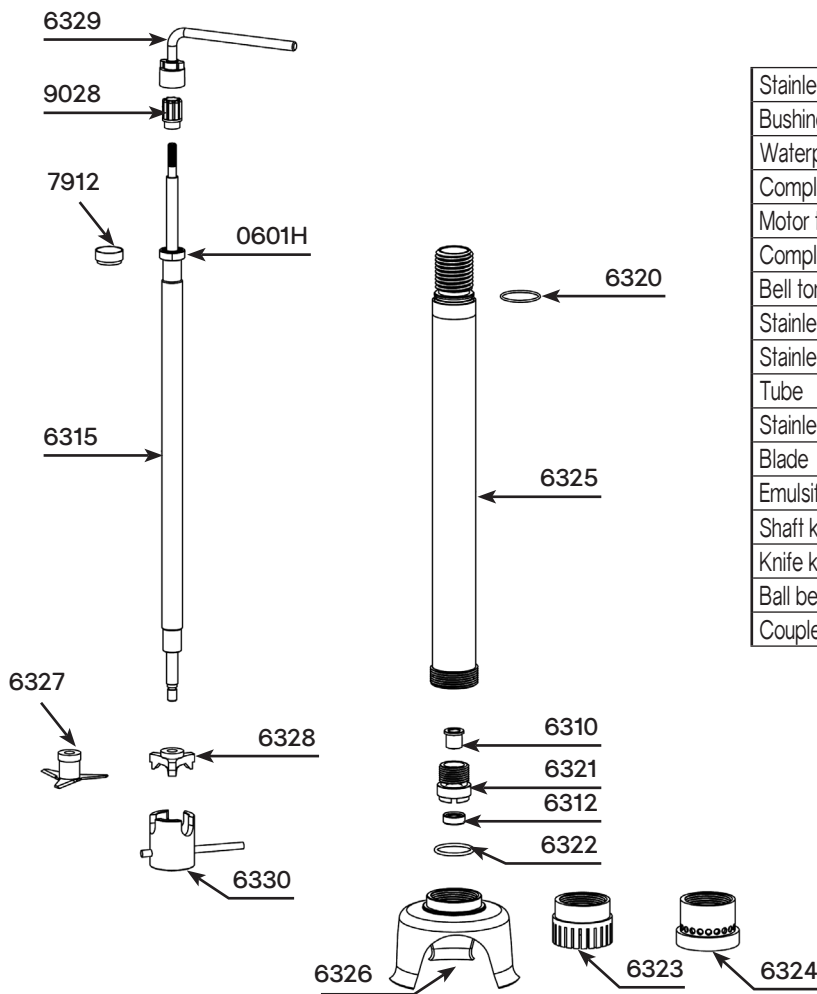
## Code

Parts list	Code
Motor brushes (2)	0504
Ball bearing	0601
Waterproof seal	0607
Squeezing washer	0726
Safety button return spring	0768
Wall bracket	0862
Strain relief 230 V	0950
Strain relief 115 V	0950.1
Filter	0999.20
Warning label	1017
Dynamic label	1021
Label w/ serial number 230 V	1067
Label w/ serial number 115 V	1068
bearing holder + seal	1186
Micro switch	1237
Power on indicator light 230 V	1241
Power on indicator light 115 V	1241.1
Control lever	2001
Safety control lever	2002
Circuit board 230 V (4 switches + capacitor)	2003
Circuit board 115 V (4 switches + capacitor)	2003.1
Upper half handle	2004
Lower half handle	2005
Motor housing brush holder	2006
Complete foot assembly	2007
Speed control plug	2008
Foot assembly w/ bearing assembly	2009
Complete handle w/ power cord 230 V	2010
Complete handle w/ power cord 115 V	2010.1
Stator 230 V	2011
Stator 115 V	2011.1
Power cord 230 V > 2002	2012
Power cord 115 V > 2002	2012.1
Power cord (UK) > 2002	2012.2
Power cord (Australia) > 2002	2012.3
Brace screws (4)	7903
Emulsifying blade	7910
Lower bearing assembly	7916
Cutter blade w/ screw	7917
Fan	7933
Rotor 115 V	9008.11
Rotor 230 V	9008.12
Power cord 230 V < 2002	9011
Handle screws (4)	9014
Field brace screws (2)	9023
Ball bearing ring	9025
Braces (4)	9026
Power cord 115 V < 2002	9040
Carbon brush wires 230 V	9043
Power cord (Australia) < 2002	9066
Power cord (UK) < 2002	9067
Fitted shaft	9131
Carbon brush wires 115 V	9143
Shaft, lower bearing & cutter assembly	9164
Lower bearing screws - Stainless steel (3)	9902
Safety button	45710

# MF 90 & MFAP 90 MIXERS

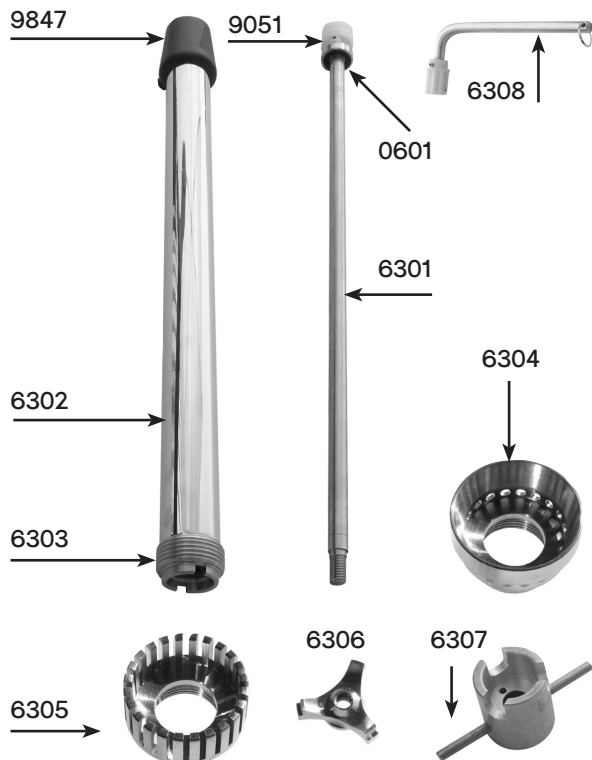
Parts list	Code
Carbon brushes (2)	0504
Ball bearing	0601
Squeezing washer	0726
Lock button return spring	0767
Safety button, return spring	0768
Strain relief 230 V	0950
Strain relief 115 V	0950.1
Switch 115V	0965
Capacitor	0970
Capacitor + filter	0972.1
Warning label	1017
Dynamic label	1027
ID label 230 V	1030
ID label 115 V	1031
Fan	7933
Brace screws (4)	8317
Complete handle 230 V	9000
Complete handle 115 V	9000.1
Lower half handle (label side) 230 V	9001
Lower half handle (label side) 115 V	9001.1
Upper half handle (button side)	9002
Safety button	9005
Lock button	9007
Rotor 115 V	9008.11
Rotor 230 V	9008.12
Plug	9009
Control lever	9010
Power cord 230 V	9011
Variable speed knob	9012
Variable speed control board 230 V	9013
Handle screws (4)	9014
Motor housing brush holder	9015
Stator 230 V w/ carter, carbon brush holders	9016
Field brace screws (2)	9023
Lower aluminum housing	9024
Ball bearing ring	9025
Braces (4)	9026
Coupler for armature	9028
Stator 115 V w/ carter, carbon brush holders	9038
Power cord 115 V	9040
Carbon brush wires 230 V	9043
Variable speed control board 115 V	9053
Power cord (Australia)	9066
Power cord (UK)	9067
Carbon brush wires 115 V	9143





Parts list	Code
Stainless steel ball bearing	0601H
Bushing	6310
Waterproof ring	6312
Complete shaft	6315
Motor toric seal	6320
Complete lower ball bearing	6321
Bell toric seal	6322
Stainless steel fruit bell	6323
Stainless steel cream bell	6324
Tube	6325
Stainless steel mixer bell	6326
Blade	6327
Emulsifying blade	6328
Shaft key	6329
Knife key	6330
Ball bearing sleeve	7912
Coupler for shaft	9028

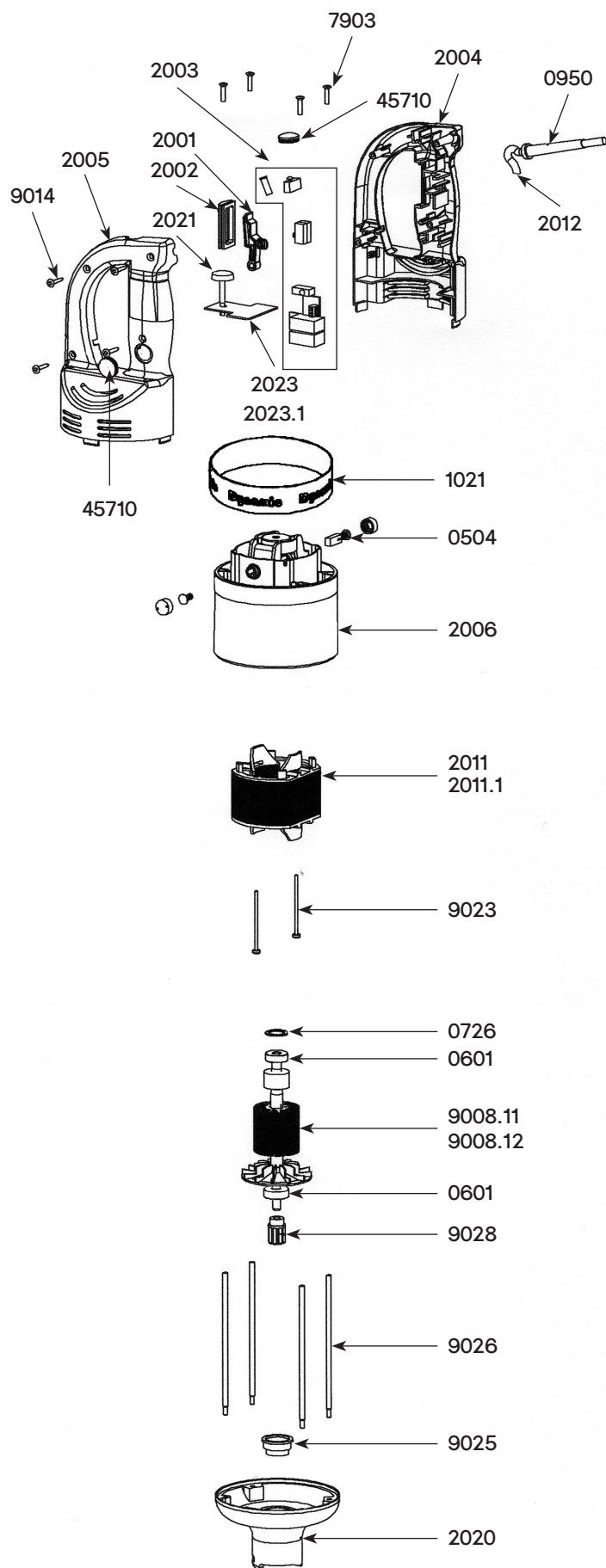
# DYNATURBO GP 2000

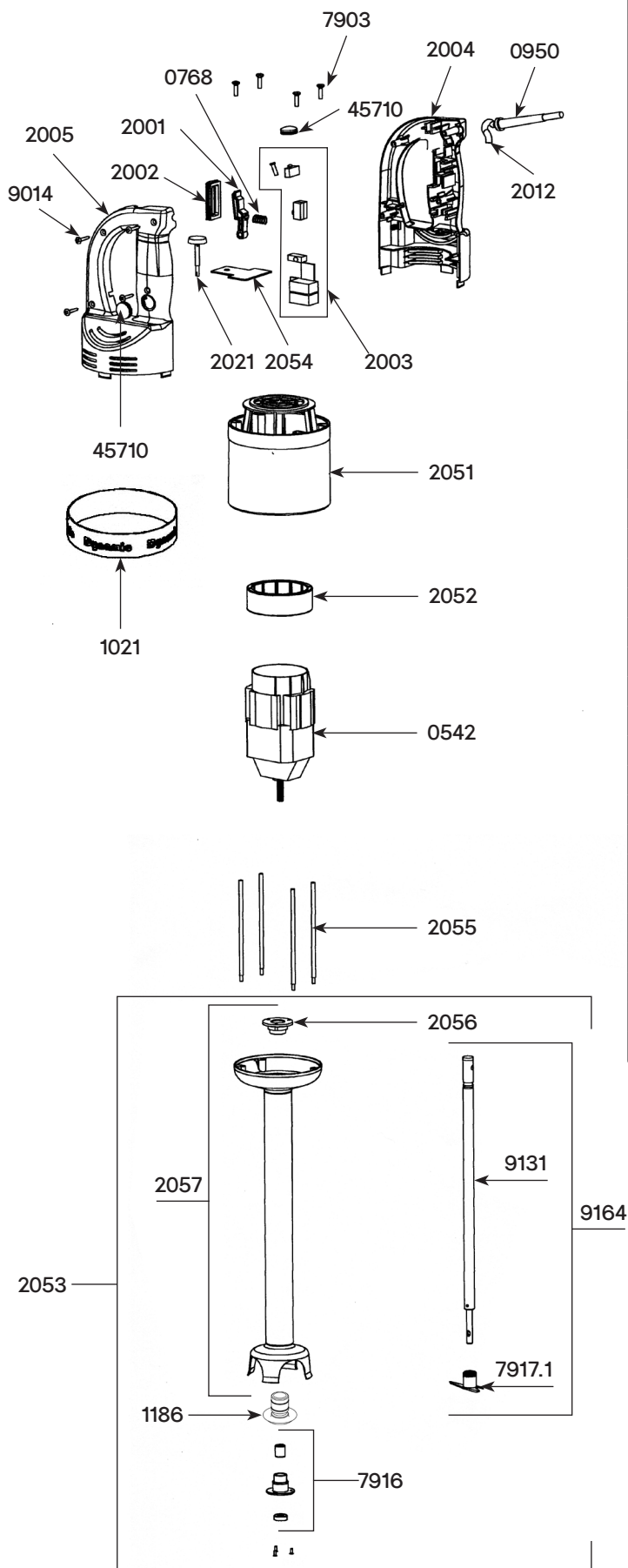


Parts list	Code
Ball bearing	0601
Pin	0744
Complete shaft w/ bearing and coupling cage	6301
Complete tube w/ black tip	6302
Complete lever (pad support, self lubricating bronze ring, toric washer)	6303
Stainless steel cream bell	6304
Stainless steel fruit bell	6305
Stainless steel knife	6306
Knife key	6307
Shaft key	6308
Toric washer	6309
Self lubricating ruff bronze ring	6310
Level (stainless steel only)	6311
Waterproof ring	6312
Compling cage	9051
Black tip	9847

## Motor

Parts list	Code
Carbon brushes (2)	0504
Ball bearing	0601
Squeezing washer	0726
Safety button return spring	0768
Strain relief 230 V	0950
Strain relief 115 V	0950.1
C.E.M. Filter	0999.20
Warning label	1017
Dynamic label	1021
ID label 230 V	1075
ID label 115 V	1076
Micro switch	1237
Power on indicator light 230 V	1241
Power on indicator light 115 V	1241.1
Control lever	2001
Control lever protector	2002
Circuit board 230 V (4 switches + capacitor)	2003
Circuit board 115 V (4 switches + capacitor)	2003.1
Half handle (button side)	2004
Half handle (label side)	2005
Motor housing brush holder	2006
Speed control plug	2008
Complete handle 230 V	2010
Complete handle 115 V	2010.1
Stator 230 V	2011
Stator 115 V	2011.1
Power cord 230 V > 2002	2012
Power cord 115 V > 2002	2012.1
Power cord (UK) > 2002	2012.2
Power cord (Australia) > 2002	2012.3
Lower aluminum housing	2020
Speed variator knob	2021
Complete handle 230 V with variator (from N°040132)	2022
Complete handle 115 V with variator (from N°040132)	2022.1
Speed variator 230 V	2023
Speed Variator 115 V	2023.1
Brace screws (4)	7903
Fan	7933
Rotor 115 V	9008.11
Rotor 230 V	9008.12
Power cord 230 V < 2002	9011
Handle screws (4)	9014
Field brace screws (2)	9023
Motor ball bearing sleeve	9025
Brace (4)	9026
Coupler for armature	9028
Power cord 115 V < 2002	9040
Carbon brush wires 230 V	9043
Power cord (Australia) < 2002	9066
Carbon brush wires 115 V	9143
Safety cover	45710

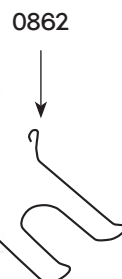




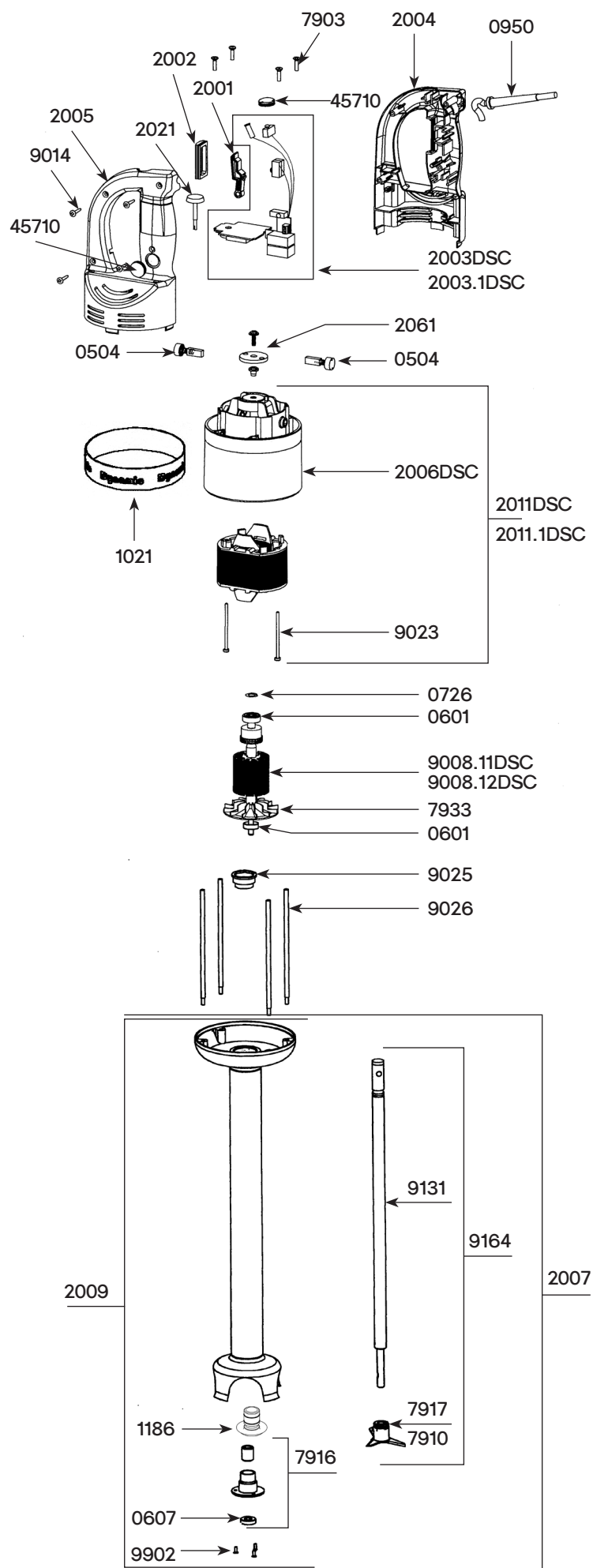
## Parts list

## Code

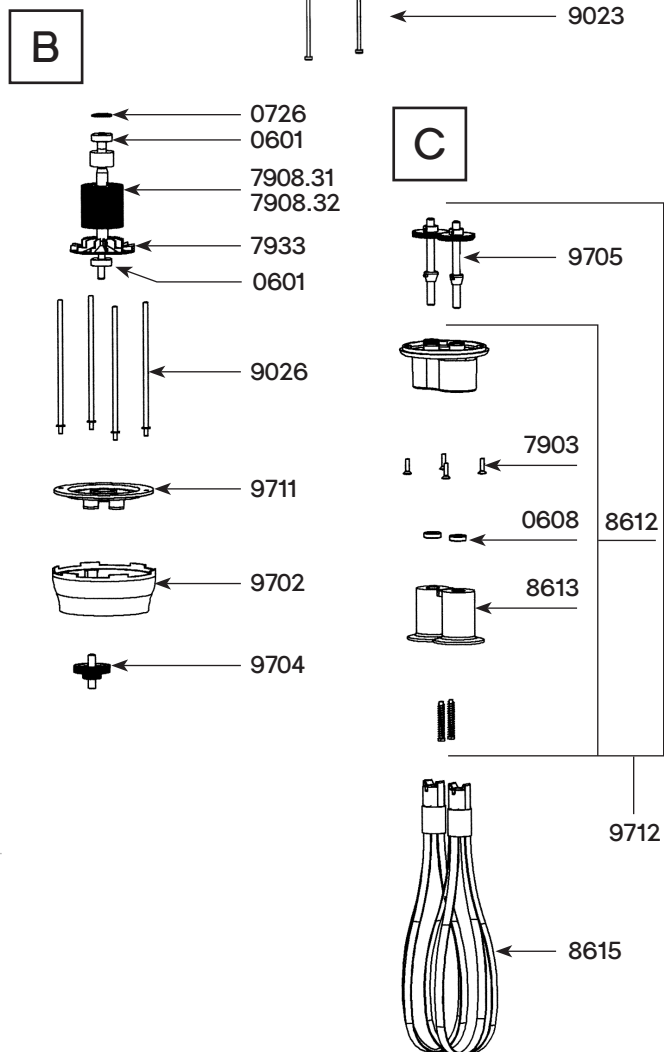
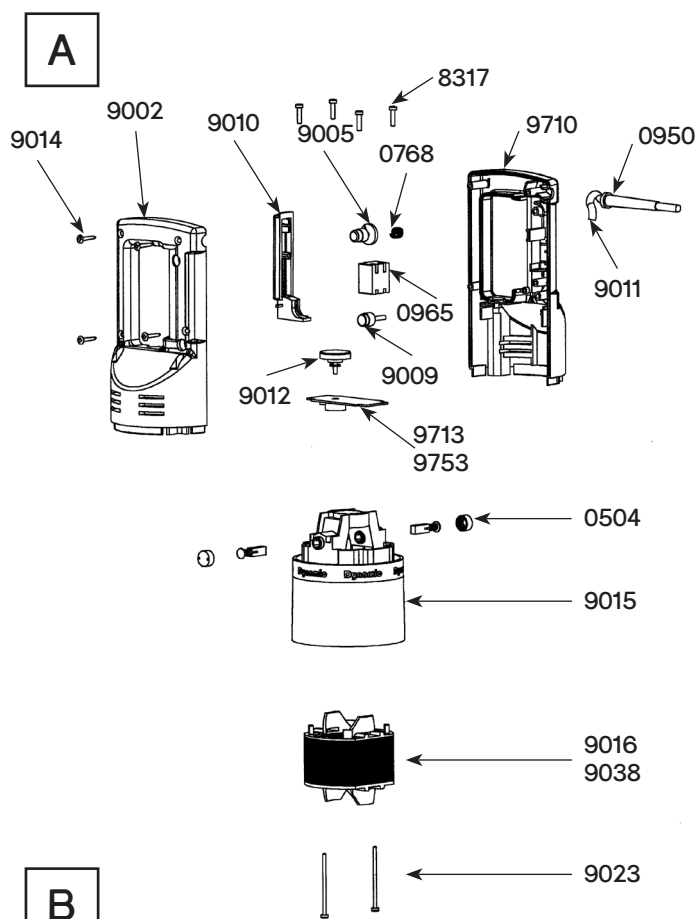
Motor 230 V	0542
Waterproof seal	0607
Safety button return spring	0768
Wall bracket	0862
Strain relief 230 V	0950
Strain relief 115 V	0950.1
Warning label	1017
Dynamic label	1021
Label w/ serial number 230 V	1089
Bearing holder + seals	1186
Micro switch	1237
Power on indicator light 230 V	1241
Control lever	2001
Safety control lever	2002
Circuit board 230 V (4 switches + capacitor)	2003
Upper half handle (button side)	2004
Upper half handle (label side)	2005
Power cord 230 V	2012
Power cord (UK)	2012.2
Power cord (Australia)	2012.3
Variable speed knob	2021
Complete handle	2050
Upper motor casing	2051
Silent block washer	2052
Complete foot assembly	2053
Regulation circuit board	2054
Braces (4)	2055
Centering ring	2056
Foot assembly	2057
Brace screws (4)	7903
Lower bearing assembly	7916
Cutter blade w/ screw	7917.1
Handle screws (4)	9014
Fitted shaft	9131
Shaft, lower bearing & cutter assembly	9164
Lower bearing screws - Stainless steel (3)	9902
Safety button	45710



Parts list	Code
Carbon brushes (2)	0504
Ball bearing	0601
Waterproof seal	0607
Squeezing washer	0726
Wall bracket	0862
Strain relief 230 V	0950
Strain relief 115 V	0950.1
Warning label	1017
Dynamic label	1021
ID label 115 V	1097
ID label 230 V	1099.15
Bearing holder + seals	1186
Control lever	2001
Safety control lever	2002
230 V electronic circuit (variator + regulator circuit + control circuit)	2003DSC
115 V electronic circuit (variator + regulator circuit + control circuit)	2003.1DSC
Upper half handle (button side)	2004
Upper half handle (label side)	2005
Motor housing brush holder	2006DSC
Complete foot assembly	2007
Foot assembly	2009
Stator 230 V	2011DSC
Stator 115 V	2011.1DSC
Power cord 230 V	2012
Power cord 115 V	2012.1
Power cord (UK)	2012.2
Power cord (Australia)	2012.3
Variable speed control button	2021
Complete handle 230 V	2060
Complete handle 115 V	2060.1
Sensing washer (washers, magnets, screws, small brace)	2061
Brace screws (4)	7903
Emulsifying blade	7910
Lower motor casing	7916
Brace screws (4)	7917
Fan	7933
Rotor 115 V	9008.11DSC
Rotor 230 V	9008.12DSC
Handle screws (4)	9014
Field brace screws (2)	9023
Motor ball bearing sleeve	9025
Braces	9026
Carbon brush wires (2) (230 V)	9043
Fitted shaft	9131
Carbon brush wires (2) (115 V)	9143
Shaft, lower ball bearing & cutter assembly	9164
Power bearing screws - Stainless steel (3)	9902
Safety cover	45710





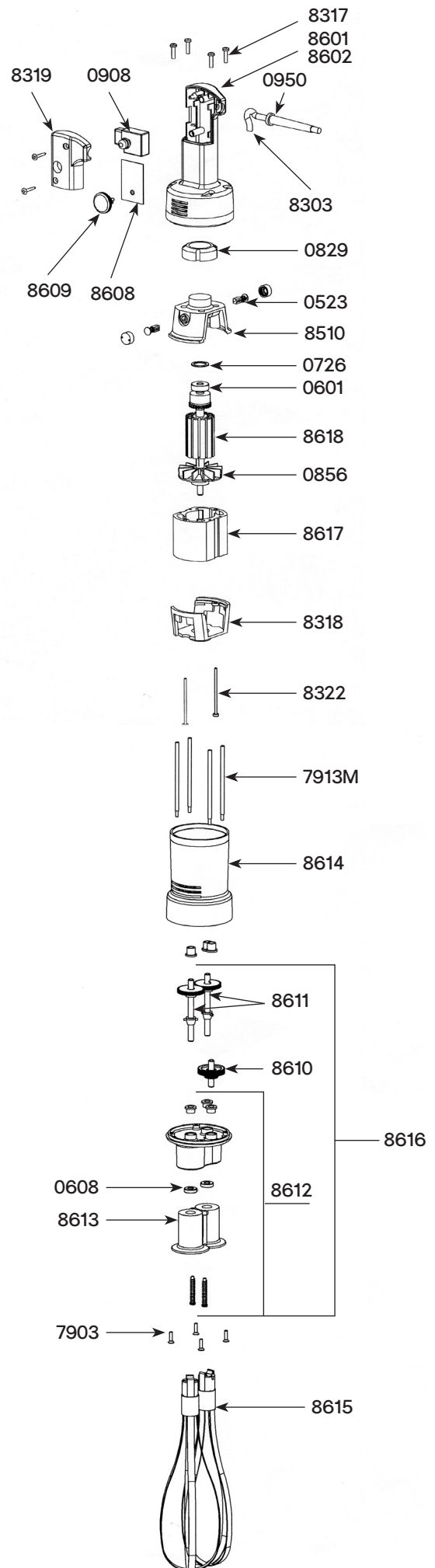


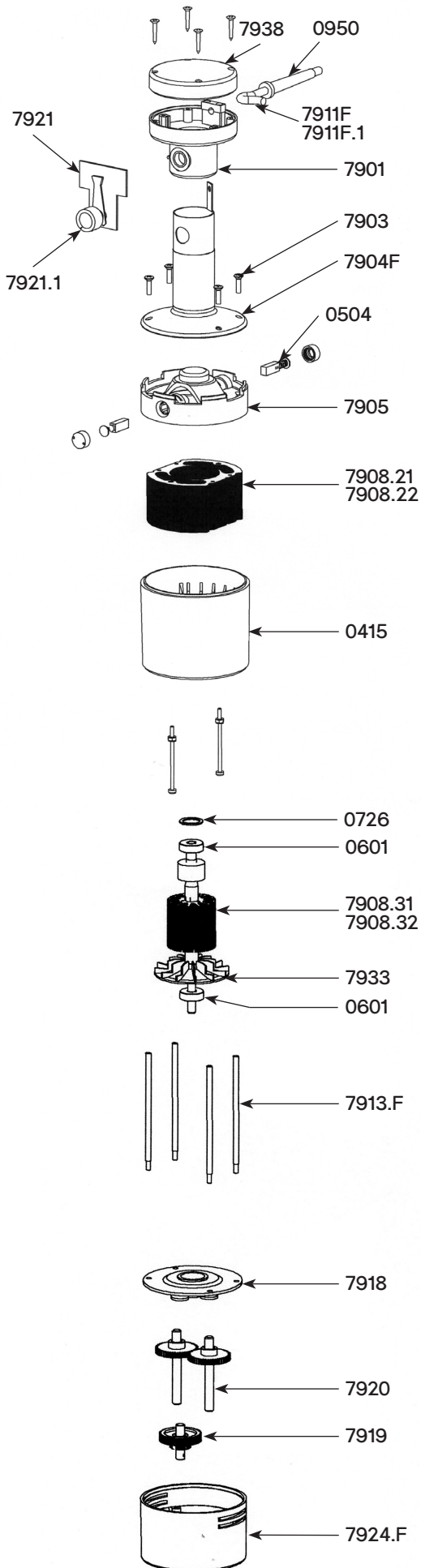
Parts list

Code

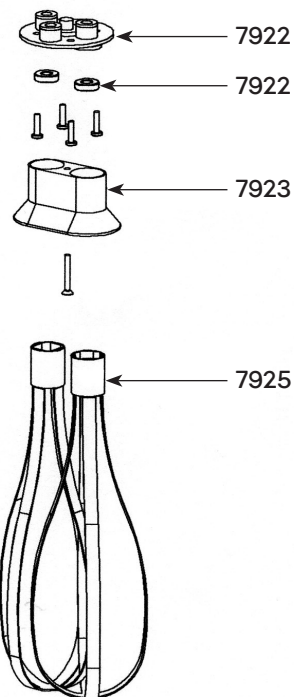
Carbon brushes (2)	0504
Ball bearing	0601
Waterproof seal	0608
Squeezing washer	0726
Pin 3 X 20	0744
Pin 3 X 14	0745
Safety button return spring	0768
Wall bracket	0881
Strain relief 230 V	0950
Strain relief 115 V	0950.1
Switch	0965
Capacitor	0972
Capacitor + filter	0972.1
ID label 115 V	1019
ID label 230 V	1020
Dynamic label	1027
Brace screws (4)	7903
Rotor 115 V	7908.31
Rotor 230 V	7908.32
Fan	7933
Brace screws (4)	8317
Holder + plastic ejector + seal	8612
Plastic ejector (pair)	8613
Whisk only (pair)	8615
Half handle (button side)	9002
Safety button	9005
Plug	9009
Control lever	9010
Power cord 230 V	9011
Variable speed control button	9012
Handle screws (4)	9014
Motor housing brush holder	9015
Stator 230 V	9016
Field brace screws (2)	9023
Braces	9026
Stator 115 V	9038
Power cord 115 V	9040
Carbon brush wires (230 V)	9043
Power cord (Australia)	9066
Power cord (UK)	9067
Carbon brush wires (115 V)	9143
Lower aluminum housing	9702
Middle gear & shaft	9704
Output gear & shaft + Pins	9705
Complete handle 230 V	9706
Complete handle 115 V	9706.1
Half handle (label side) 230 V	9710
Half handle (label side) 115 V	9710.1
Plate w/ 3 seals	9711
Holder without gear	9712
Variable speed control board 230 V	9713
Variable speed control board 115 V	9753

Parts list	Code
Carbon brushes (2)	0523
Ball bearing	0601
Waterproof seal	0608
Squeezing washer	0726
Pin 3 X 20	0744
Pin 3 X 14	0745
Motor bushing	0829
Fan	0856
Hook	0860
Non-locking switch	0908
Capacitor	0909
Strain relief 230 V	0950
Strain relief 115 V	0950.1
Brace screws (4)	7903
Brace	7913M
Power cord 230 V	8303
Power cord (UK)	8303.1
Brace screws (4)	8317
Lower motor housing	8318
Top handle screws	8319
Ground wire	8321
Screws with ground washers (2)	8322
Motor housing brush holder	8510
Complete handle 230 V	8601
Handle only + cap + screws	8602
Equipped motor	8604
Variable speed control board 230 V	8608
Variator knob w/ clips	8609
Middle gear & shaft	8610
Output gear & shaft	8611
Holder + 2 plastic ejectors + 2 seals + 3 rings	8612
Plastic ejector (pair)	8613
Lower aluminum housing	8614
Whisk only (pair)	8615
Complete axles, support, cones and pignons	8616
Stator 230 V	8617
Rotor 230 V	8618





Parts list	Code
Sleeve	0415
Carbon brushes (2)	0504
Ball bearing	0601
Waterproof seal	0608
Squeezing washer	0726
Pin 3 x 20	0744
Pin 3 x 14	0745
Strain relief 230 V	0950
Strain relief 115 V	0950.1
Complete handle	7901
Brace screws (4)	7903
ID plate 230 V	7904 F
Motor housing brush holder	7905
Stator 115 V	7908.21
Stator 230 V	7908.22
Motor 230 V	7908.3
Rotor 115 V	7908.31
Rotor 230 V	7908.32
Motor 115 V	7908.4
Power cord 230 V	7911 F
Power cord 115 V	7911 F.1
Braces	7913.F
Plate assembly with 3 bronze seals	7918
Middle gear & shaft	7919
Output gear & shaft	7920
Variable speed control board	7921
Speed control plug	7921.1
Holder assembly w/ 3 self-lubricating rings	7922
Plastic protector	7923
Lower housing	7924 F
Whisk (pair)	7925
Capacitor	7931
Fan	7933
Top handle w/ screws	7938

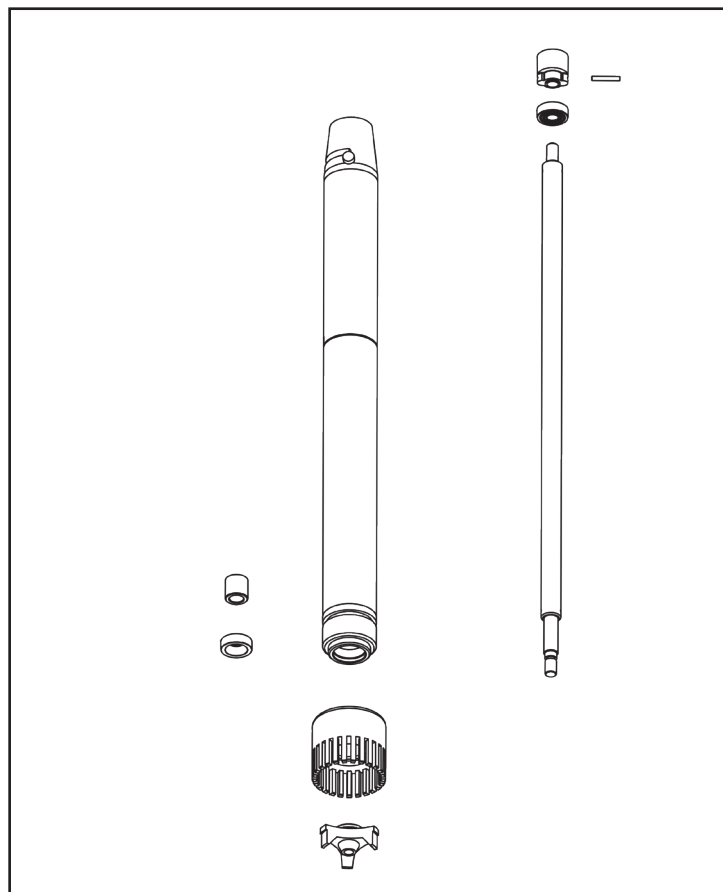


## MASTER BLENDER Foot

Nomenclature des pièces

Code

Ball bearing	0601
Self-lubricating ring	0666
Waterproof seal	0667
Brace with rings	1401
MASTER BLENDER bell	1402
MASTER BLENDER knife	1403
Shaft (bearing, coupling case)	1404
Coupling casing + pin	9051

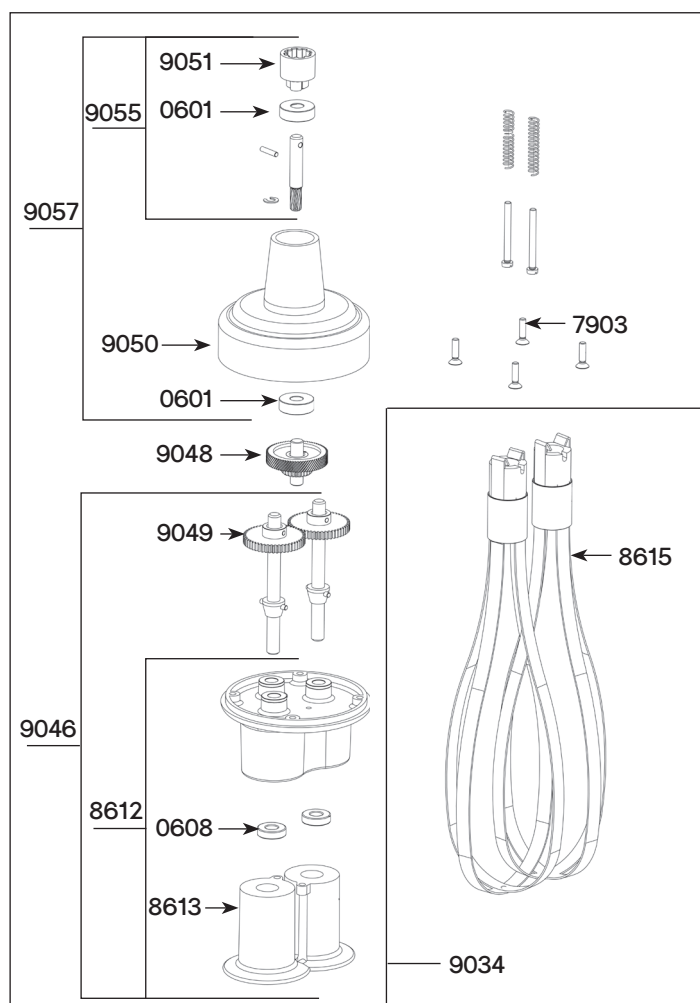


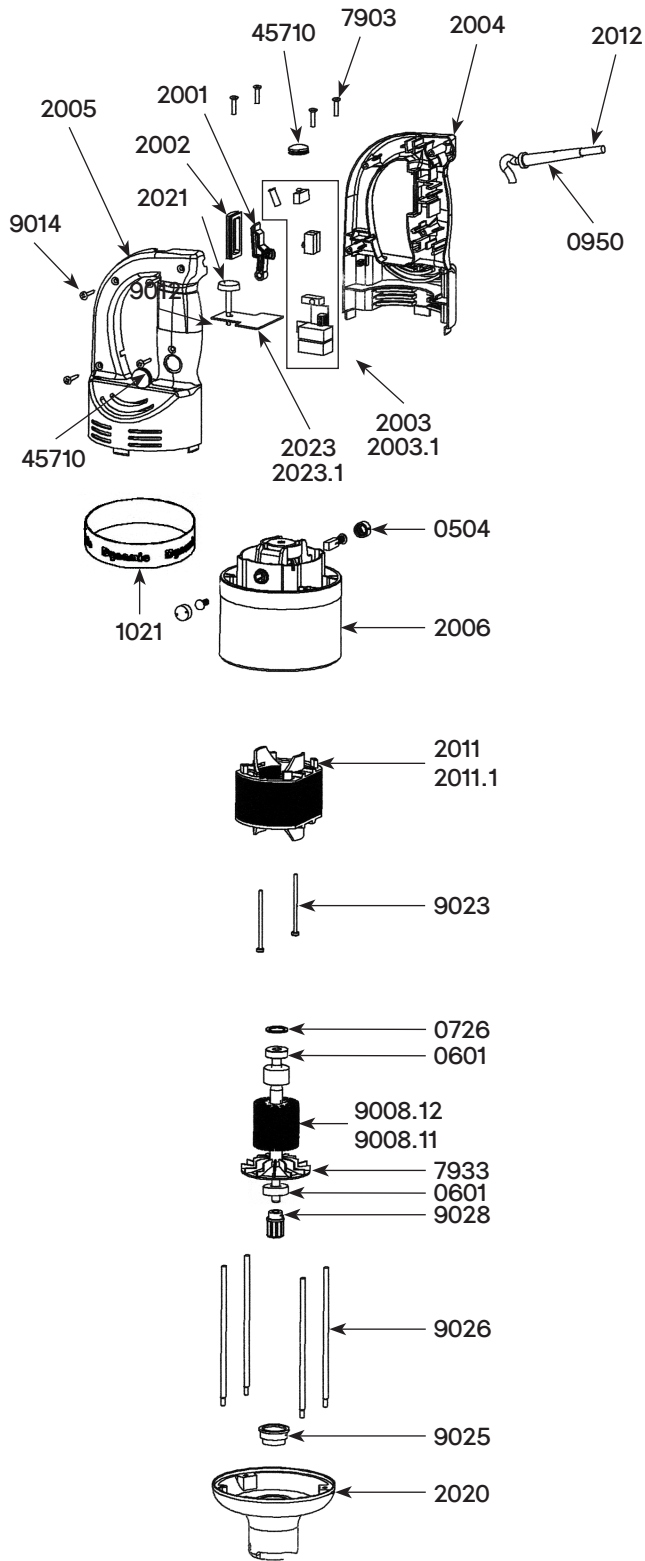
## MF 90/2000 & MFAP 90/2000 whisk tool

Parts list

Code

Ball bearing	0601
Waterproof seal	0608
Pin 3 X 20	0744
Pin 3 X 14	0745
Brace screws (4)	7903
Holder + plastic ejector + seal	8612
Plastic ejector (pair)	8613
Whisk (Pair)	8615
Reduction gear assembly	9034
Lower casing w/ o middle gear	9046
Central double gear & shaft	9048
Single gear (2)	9049
Upper plastic casing	9050
Coupling casing + pin	9051
Equipped upper shaft	9055
Complete upper casing	9057
F 90 Complete whisk tool (see machine catalogue)	AC003





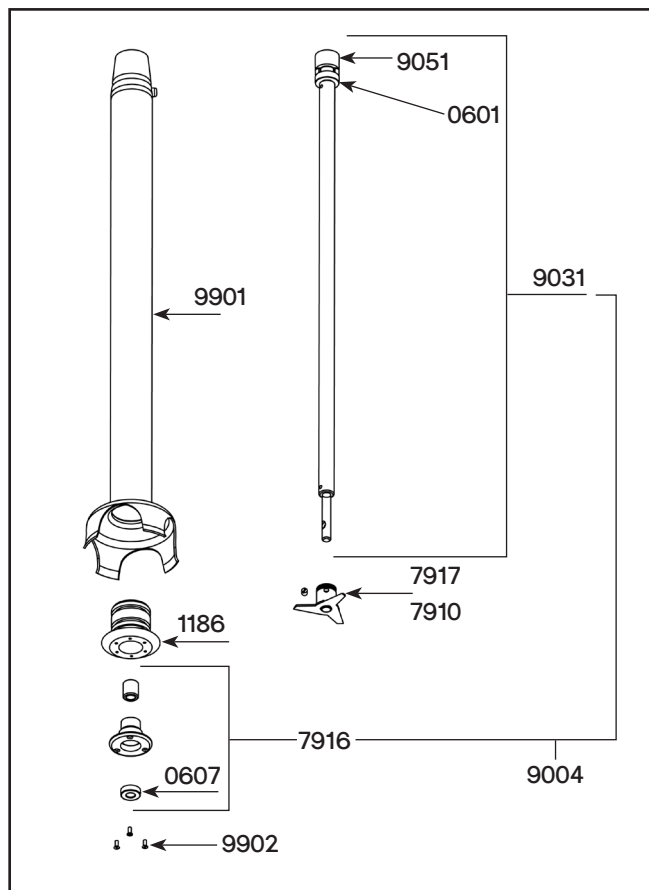
## Parts list

## Code

Carbon brushes (2)	0504
Ball bearing	0601
Squeezing washer	0726
Safety button, return spring	0768
Strain relief 230 V	0950
Strain relief 230 V	0950.1
Filter C.E.M. 230 V	0999.20
Warning label	1017
Dynamic label	1021
ID label 230 V	1069
ID label 115 V	1070
Micro switch	1237
Power on indicator light 230 V	1241
Power on indicator light 115 V	1241.1
Control lever	2001
Control lever protector	2002
Circuit board 230 V (4 switches + capacitor)	2003
Circuit board 115 V (4 switches + capacitor)	2003.1
Upper half handle (button side)	2004
Upper half handle (label side)	2005
Motor housing + carbon brush holders	2006
Stator 230 V (carter + carbon brush holders)	2011
Stator 115 V (carter + carbon brush holders)	2011.1
Power cord 230 V > 2002	2012
Power cord 115 V > 2002	2012.1
Power cord (UK) > 2002	2012.2
Power cord (Australia) > 2002	2012.3
Lower aluminum housing	2020
Variable speed knob	2021
Complete handle 230 V	2022
Complete handle 115 V	2022.1
Variable speed circuit board 230 V	2023
Variable speed circuit board 115 V	2023.1
Safety plug	45710
Brace screws (4)	7903
Fan	7933
Rotor 115 V	9008.11
Rotor 230 V	9008.12
Power cord 230 V < 2002	9011
Handle screws (4)	9014
Field brace screws (2)	9023
Motor ball bearing sleeve	9025
Braces (4)	9026
Rotor coupler	9028
Power cord 115 V < 2002	9040
Carbon brush wires 230 V	9043
Power cord (Australia) < 2002	9066
Carbon brush wires 115 V	9143
BM 2000 motor block (see machine catalogue)	AC001

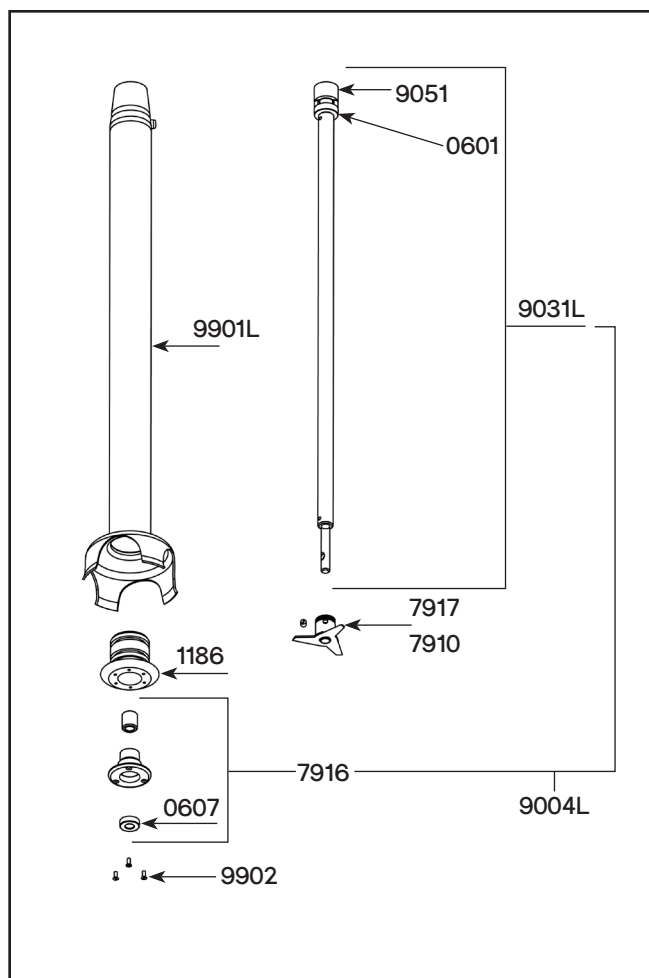
### MF 90/2000 410 mixer tool

Parts list	Code
Ball bearing	0601
Waterproof seal	0607
Bearing holder + seal	1186
Emulsifying blade	7910
Lower bearing assembly	7916
Cutter blade w/ screw	7917
Lower bearing screws - Alu (3)	7950
Shaft, lower bearing & cutter assembly	9004
Shaft	9031
Coupling casing + pin	9051
Tube assembly	9901
Lower bearing screws - Stainless steel (3)	9902
M 90 Complete Mixer tool (see machine catalogue)	AC002



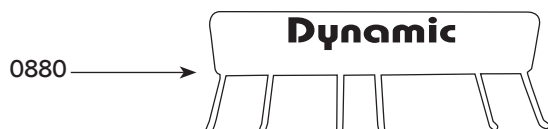
### M500 mixer tool

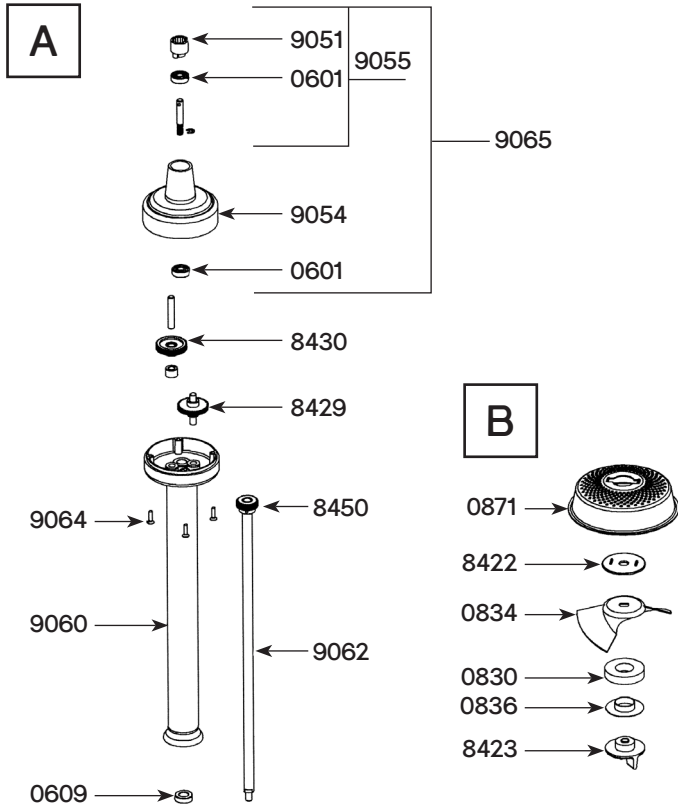
Parts list	Code
Ball bearing	0601
Waterproof seal	0607
Bearing holder + seal	1186
Emulsifying blade	7910
Lower bearing assembly	7916
Cutter blade w/ screw	7917
Lower bearing screws - Alu (3)	7950
Shaft, lower bearing & cutter assembly	9004L
Shaft	9031L
Coupling casing + pin	9051
Tube assembly	9901L
Lower bearing screws - Stainless steel (3)	9902
M 90 Complete Mixer tool (see machine catalogue)	AC002



### Wall bracket

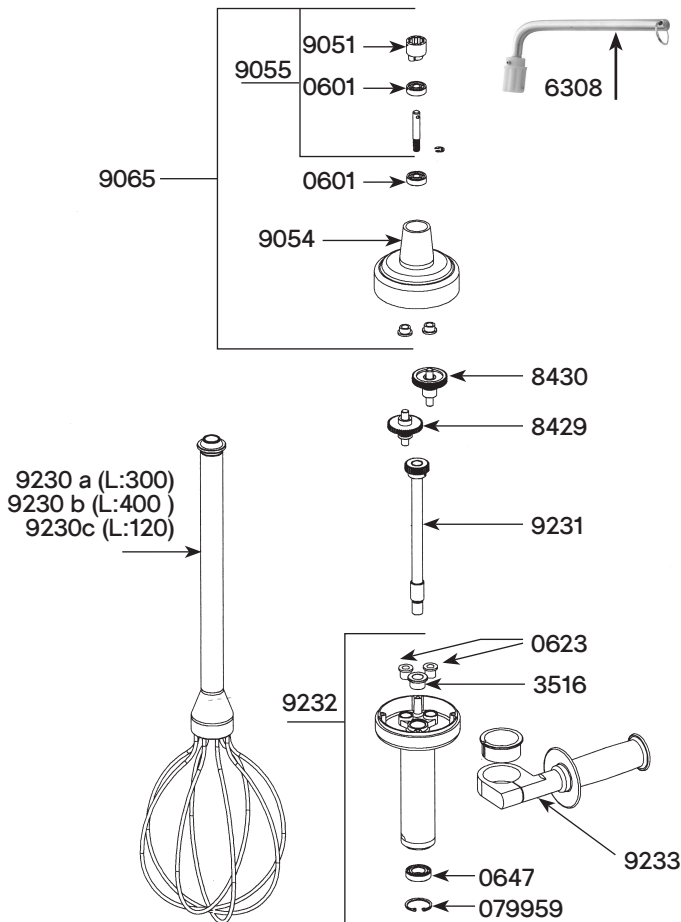
Parts list	Code
Wall bracket	0880





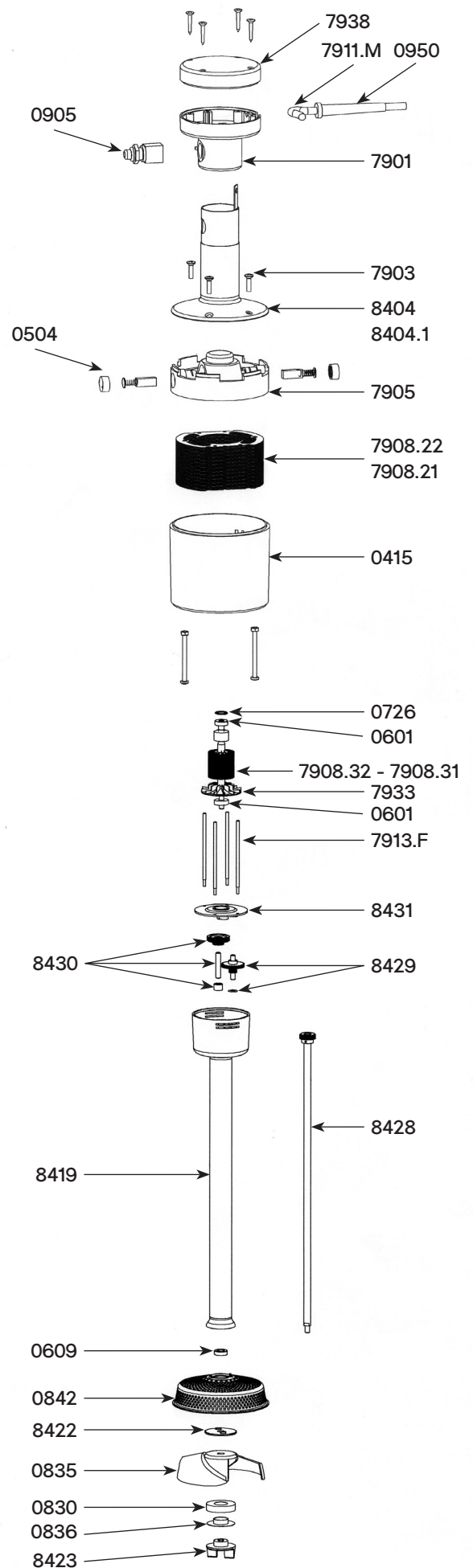
Parts list	Code
Waterproof seal	0609
Rubber washer	0830
Blade	0834
Washer friction	0836
Grid	0871
Anti-friction washer	8422
Lower bolt	8423
Double gear with washer	8429
Single gear & shaft	8430
Shaft gear + pin	8450
Coupling casing w/ pin	9051
Reducing casing & seal	9054
Equipped upper shaft	9055
Foot assembly	9060
Main shaft + gears	9062
Reduction casing screws (4)	9064
Complete reduction box	9065

# FM 90 MASTER BEATER WHISKS

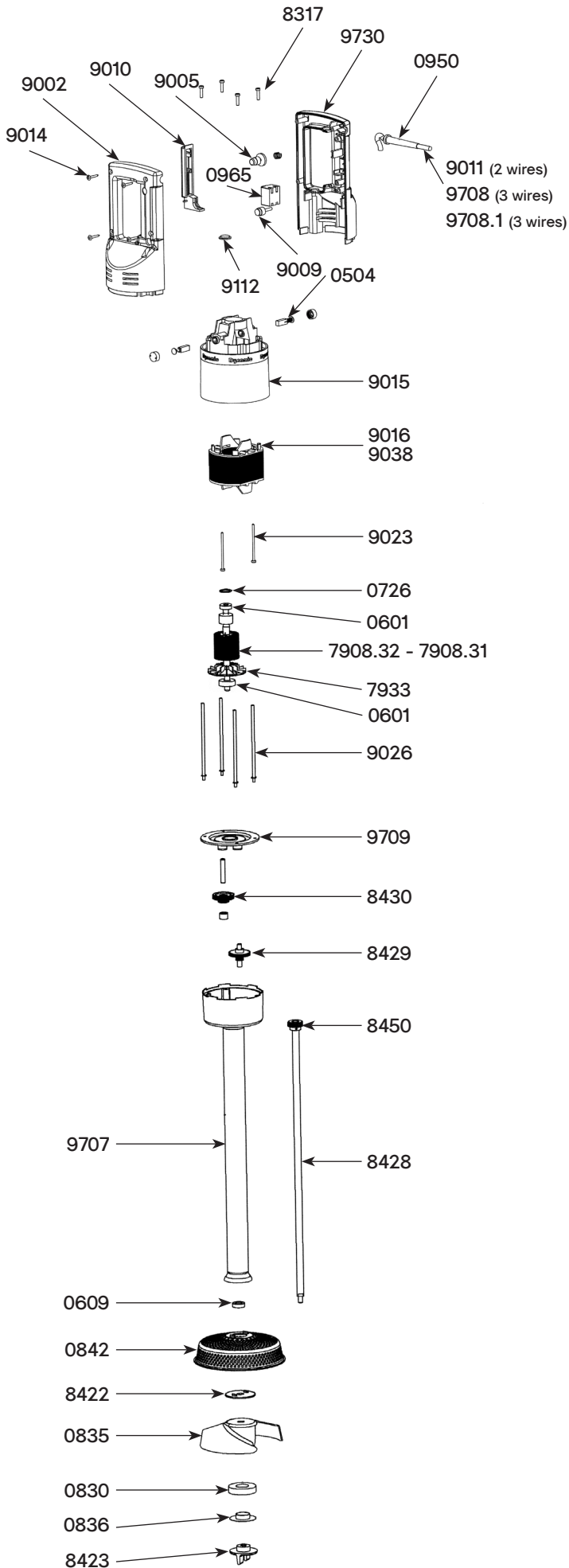


Parts list	Code
Ball bearing	0601
Self-lubricating ring for gearing (x 2)	0623
Bearing	0647
Clips	079959
Self-lubricating ring	3516
Shaft key	6308
Double gear with washer	8429
Middle gear & axle	8430
Coupling casing w/ pin	9051
Reducing casing+2 seals	9054
Equipped upper shaft	9055
Complete reduction box	9065
Mono whisk / L : 300 mm	9230 a
Mono whisk / L : 400 mm	9230 b
Mono whisk / L : 120 mm	9230 c
Main shaft	9231
Lower carter	9232
Handle + casing	9233
Complete reduction box w/ out bowl whisk and handle	9250

Parts list	Code
Sleeve	0415
Carbon brushes w/ caps (2)	0504
Ball bearing	0601
Waterproof seal	0609
Squeezing washer	0726
Pin 3 x 14	0745
Rubber washing	0830
Fan	0835
Washer friction	0836
Rice grid	0842
Push button switch	0905
Strain relief 230 V	0950
Strain relief 115 V	0950.1
Equipped handle	7901
Brace screws (4)	7903
Upper carter w/ carbon brush holders	7905
Stator 230 V	7908.22
Stator 115 V	7908.21
Rotor 230 V	7908.32
Rotor 115 V	7908.31
Power cord 230 V	791M
Power cord 115 V	791M.1
Braces (4)	7913F
Capacitor	7931
Fan	7933
Handle cap w/ screws	7938
Identification plate 230 V	8404
Identification plate 115 V	8404.1
Motor 230 V	8408
Motor 115 V	8408.1
Foot assembly	8419
Antifriction washer	8422
Lower bolt	8423
Output shaft w/ gear	8428
Double gear with washer	8429
Middle gear & axle	8430
Plate w/ 2 seals	8431







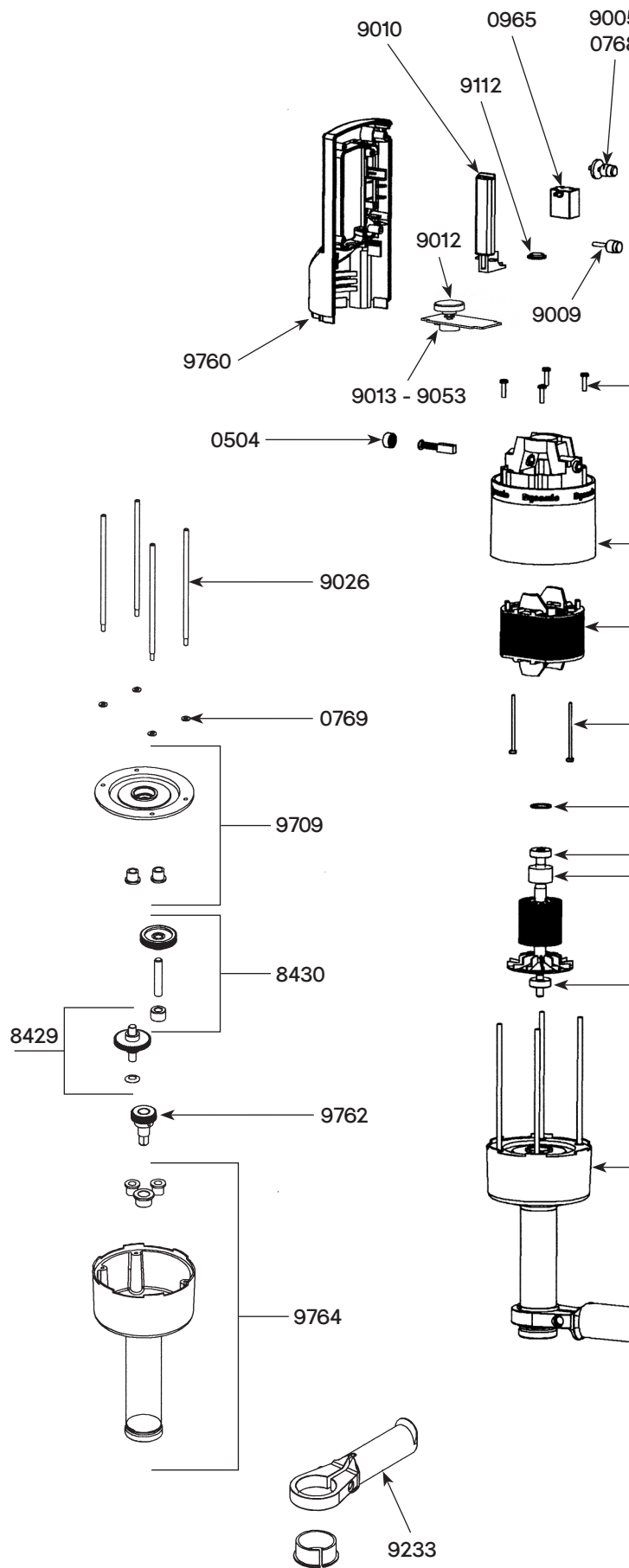
Parts list

Code

Carbon brushes (2)	0504
Ball bearing	0601
Waterproof seal	0609
Squeezing washer	0726
Pin 3 x 14	0745
Safety button return spring	0768
Rubber washing	0830
Fan	0835
Washer friction	0836
Ricer grid	0842
Wall bracket	0881
Strain relief 230 V	0950
Strain relief 115 V	0950.1
Switch 115V / 230V	0965
Capacitor	0972
Capacitor + filter	0972.1
Dynamic label	1027
ID label 230 V	1056
ID label 115 V	1057
Rotor 115 V	7908.31
Rotor 230 V	7908.32
Fan	7933
Brace screws (4)	8317
Antifriction washer	8422
Lower bolt	8423
Output shaft w/ gear	8428
Double gear with washer (from N°050025)	8429
Middle gear & axle	8430
Shaft gear + pin	8450
Upper half handle	9002
Safety button	9005
Plug	9009
Control lever	9010
Power cord 2 cond. 230 V (from N°050025)	9011
Handle screws (4)	9014
Motor housing w/ carbon brush holders	9015
Stator 230 V w/ carter carbon brush holders	9016
Stator screws (2)	9023
Braces (4)	9026
Stator 115 V w/ carbon brush holders	9038
Power cord 115 V w/ carbon brush holders (from N°050025)	9040
Carbon brush wires 230 V	9043
Power cord (Australia) (from N°050025)	9066
Power cord (UK) (from N°050025)	9067
Speed control plug	9112
Carbon brush wires 115 V	9143
Complete handle 230 V	9700
Complete handle 115 V	9700.1
Complete foot assembly	9707
Power cord + Label 230 V (from N°050025) 3 wires	9708
Power cord + Label 115 V (from N°050025) 3 wires	9708.1
Plate w/ 2 seals	9709
Lower half handle (label side) 230 V	9730
Lower Half handle (label side) 115 V	9740

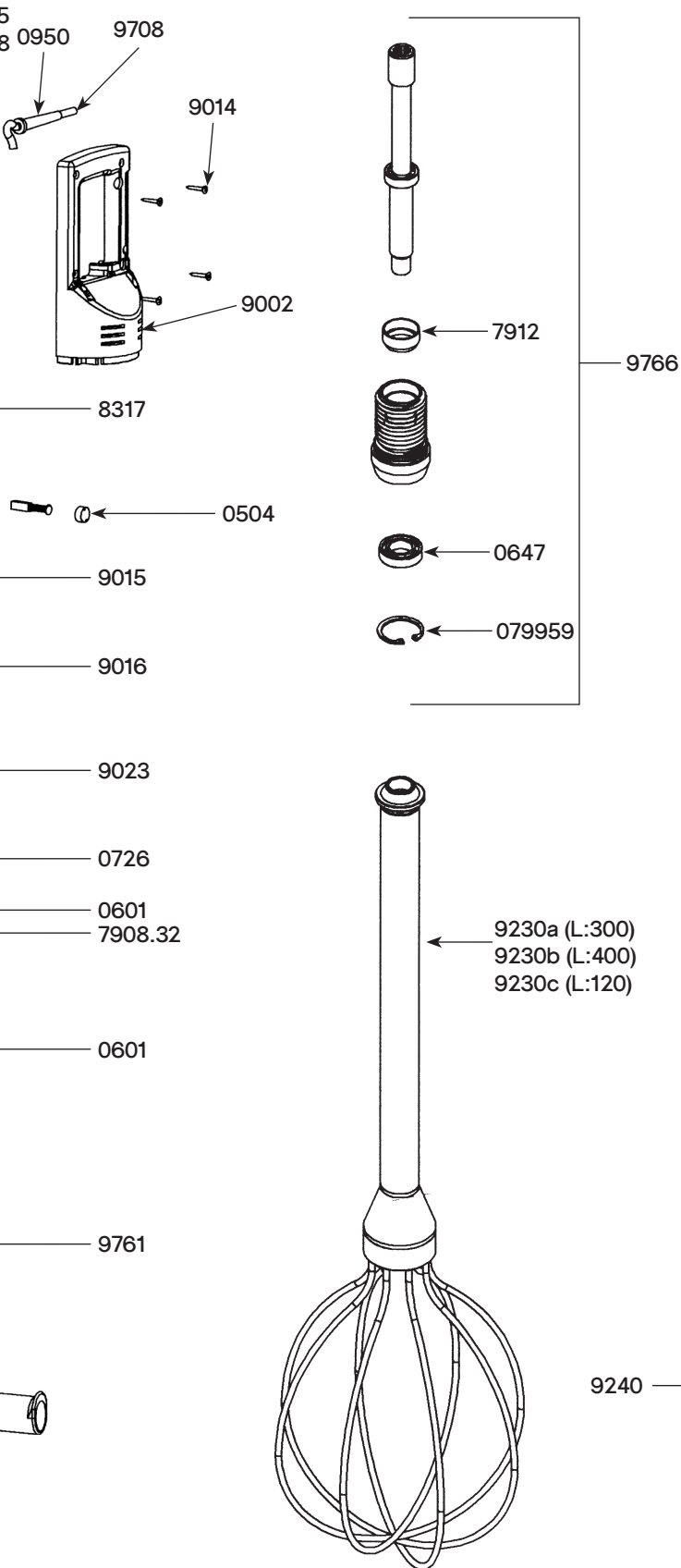
# PP 97 PLUS MOTOR BLOCK

Parts list	Code
Carbon brushes	0504
Ball bearing	0601
Rubber washer	0726
Safety button return spring	0768
Strain relief 230 V	0950
Strain relief 115 V	0950.1
Switch	0965
Capacitor (115 V)	0972
Capacitor + filter	0972.1
Dynamic label	1027
Identification plate 230 V	109913
Identification plate 115 V	109914
Rotor 115 V	7908.31
Rotor 230 V	7908.32
Fan	7933
Brace screws	8317
Upper half handle	9002
Security cap	9005
Handle cap	9009
Control lever	9010
Variable speed knob	9012
Variable speed control board 230 V	9013
Handle screw	9014
Top housing	9015
Stator 230 V	9016
Stator screws 230 V (2)	9023
Stator 115 V	9038
Carbon brush wires (230 V)	9043
Variable speed control board 115 V	9053
Knob (115 V)	9112
Carbon brush wires (115 V)	9143
Power cord 230 V	9708
Power cord 115 V	9708.1
Lower half handle 230 V (with label)	9760
Lower half handle 115 V (with label)	9760.1
Lower motor housing	9761
Complete handle w/ power cord 230 V	9765
Complete handle w/power cord 115 V	9765.1



## PP97 plus equipped lower carter

Parts list	Code
M4 Washer	0769
Double gear with washer	8429
Middle gear axle	8430
Braces	9026
Handle support	9233
Plate w/ 2 seals	9709
Exit shaft w/ gear	9762
Aluminium carter, foot and seals	9764

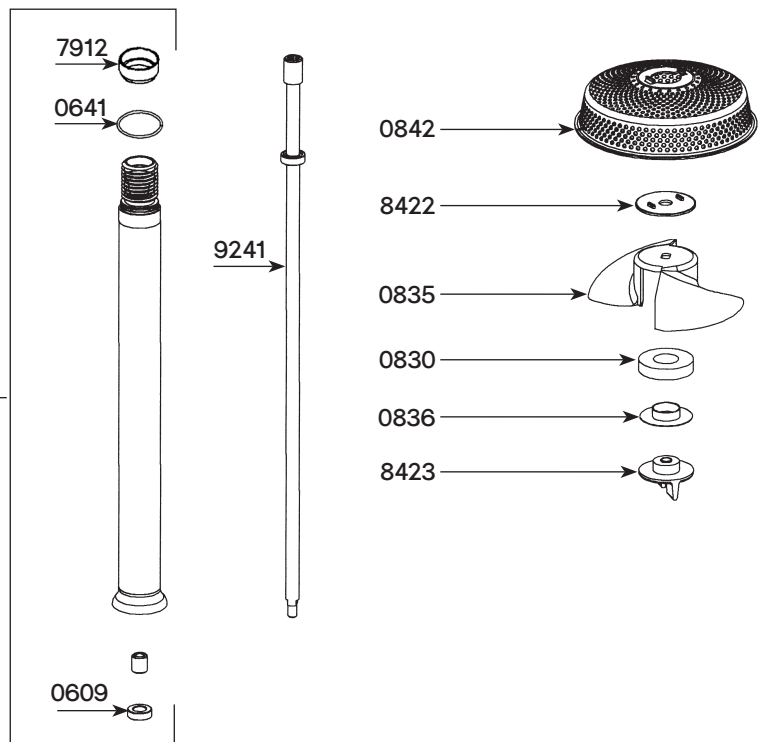


### PP97 plus / FM97 Whisk tool

Parts list	Code
D15 Bearing	0647
Rubber ring	079959
Ball bearing	7912
Mono whisk L : 300	9230a
Mono whisk L : 400	9230b
Mono whisk L : 120	9230c
Equipped male casing (shaft, bearing seal, ball bearing, rubber ring)	9766

### AP 97 Ricer tool

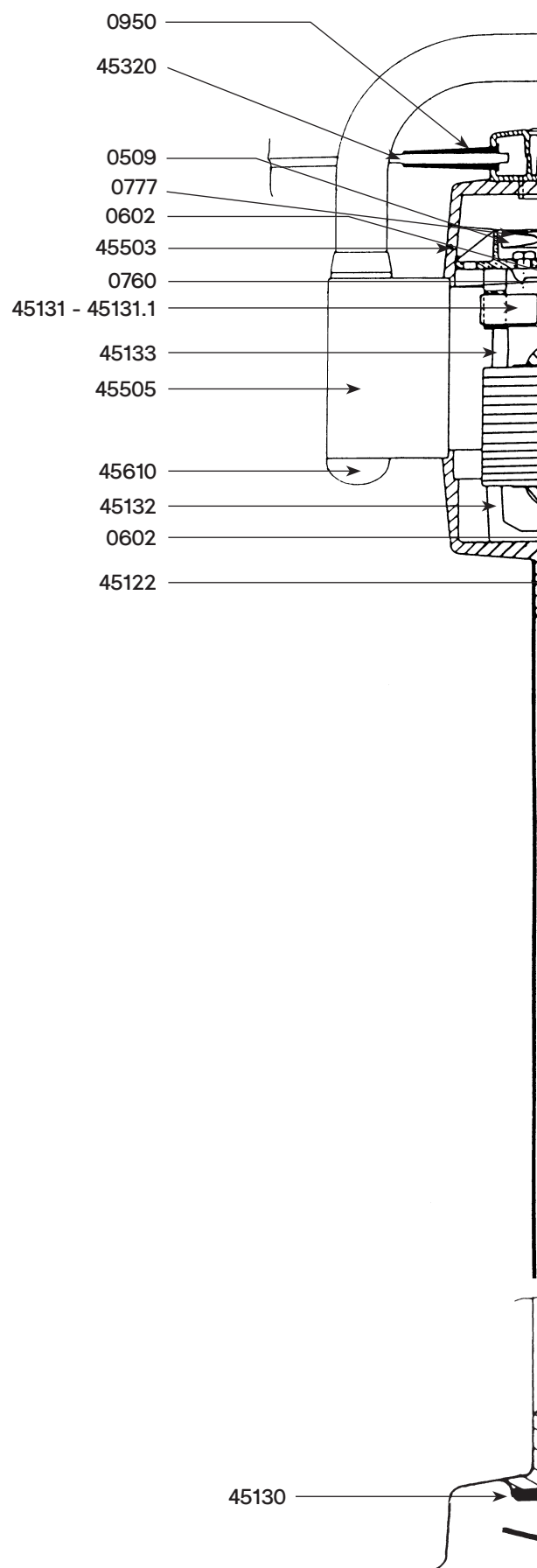
Parts list	Code
Waterproof seal	0609
Toric seal	0641
Rubber washing	0830
Fan	0835
Friction washer	0836
Ricer grid	0842
Bearing seal	7912
Antifriction seal	8422
Lower bolt	8423
Equipped male casing, bearing seal, tube and complete lever assembly	9240
Exit shaft	9241

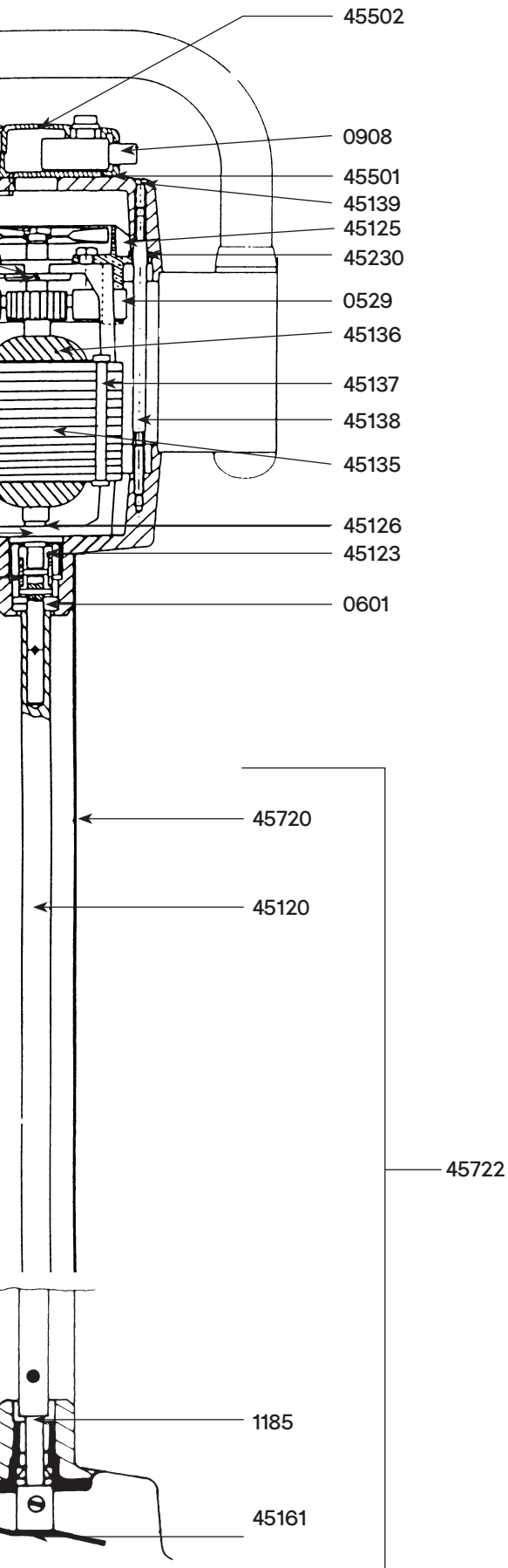


# SMX 500 MIXER

## Parts list Code

Turbine	0509
Carbon brushes (pair)	0529
Ball bearing	0601
Motor ball bearing	0602
Waterproof seal	0607
Spring	0760
Clips	0776
Washer & bolt for fan	0777
Wall bracket	0862
Locking switch	0907
Non-locking switch	0908
Capacitor	0909
Strain relief 230 V	0950
Strain relief 115 V	0950.1
bearing holder + seal	1185
Shaft & ball bearing	45120
Coupling sleeves	45122
Motor & shaft drive sprocket	45123
Fan housing	45125
Lower bearing assembly	45130
Brush holder w/ cap (1)	45131
Brush holder w/ cap (1)	45131.1
Lower motor casing	45132
Upper motor casing	45133
Stator 230 V	45135
Stator 115 V	45135.1
Rotor 230 V	45136
Rotor 115 V	45136.1
Stator screws(2)	45137
Braces (4)	45138
Brace screws (4)	45139
Cutter blade w/ screw	45161





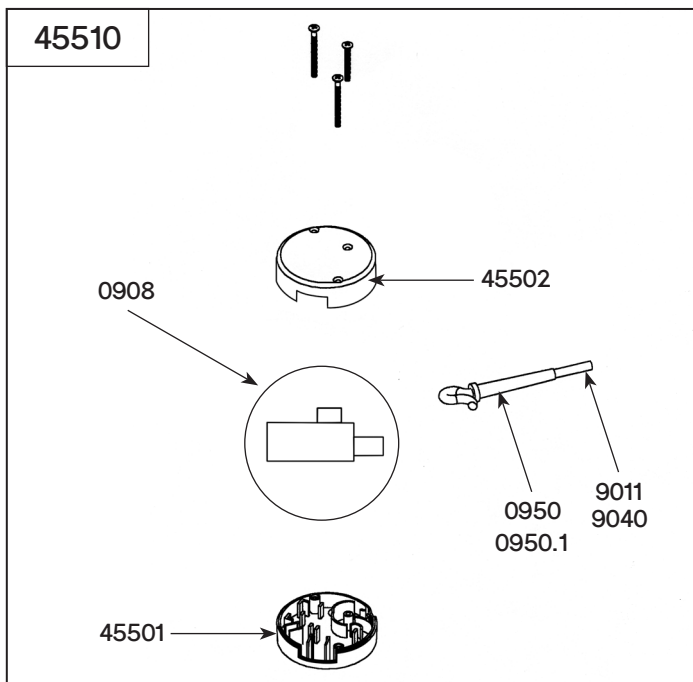
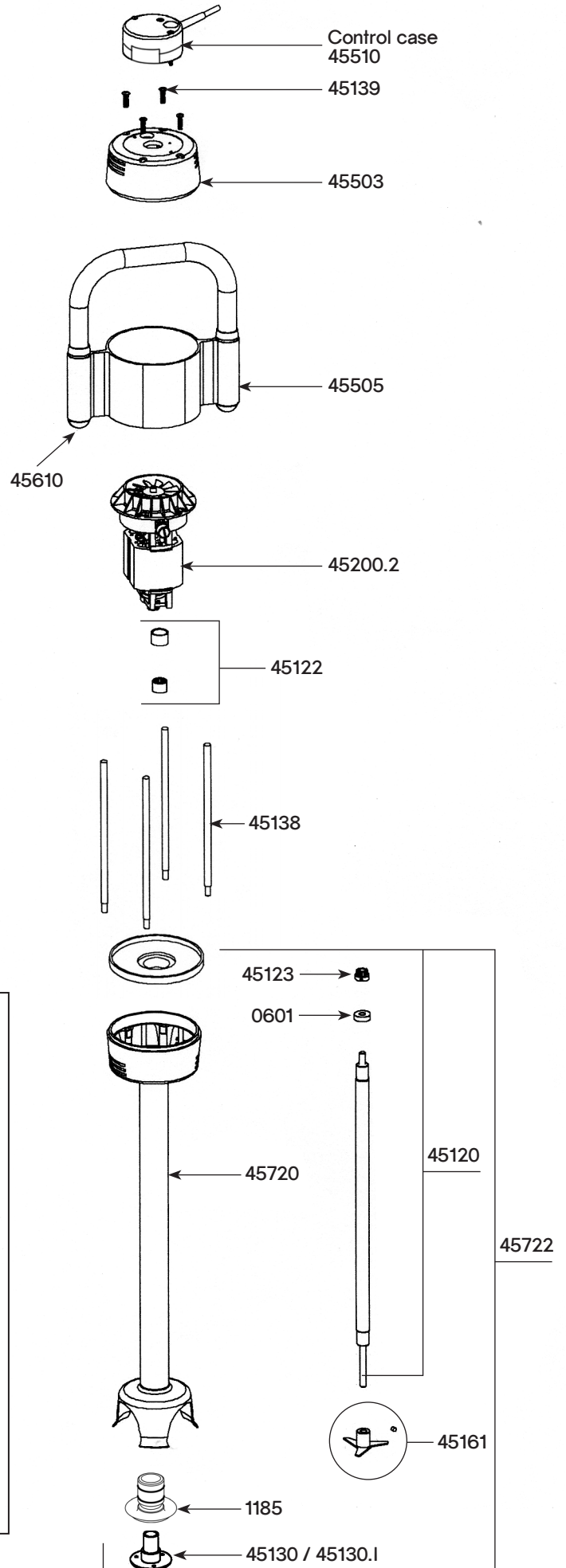
## Parts list

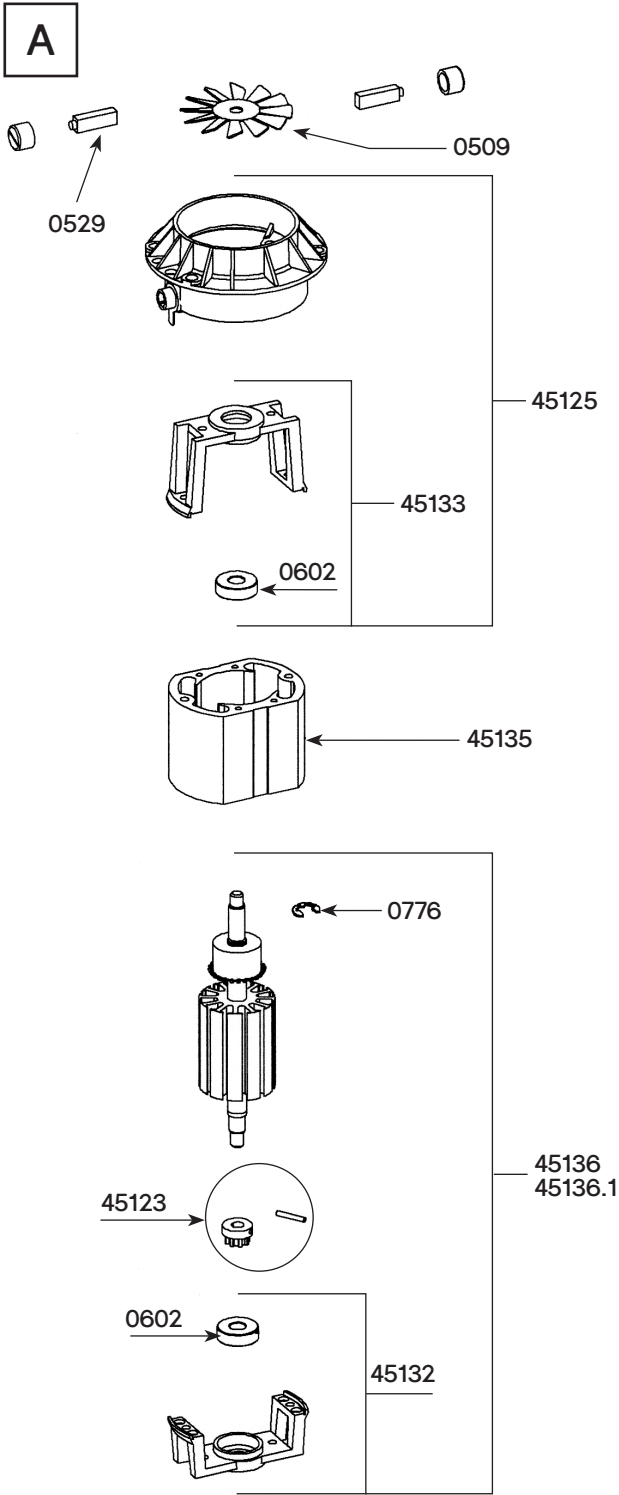
## Code

Double isolation part	45126
Motor 115 V	45200.1
Motor 230 V	45200.2
Squeezing washers (4)	45230
Power cord 230 V	45320
Power cord 115 V	45320.1
Power cord (UK)	45320.2
Power cord (Australia)	45320.3
Lower housing (orange plastic piece)	45501
Upper housing (orange plastic piece)	45502
Top housing	45503
Sleeve & complete handle	45505
Complete housing w/ screws	45510
Kit w/ shaft, lower bearing, cutter	45533
Handle cap (2)	45610
Foot assembly	45720
Complete foot assembly	45722
Lower bearing screws for aluminium bell (3)	7950
Lower bearing screws - Stainless steel (3)	9902

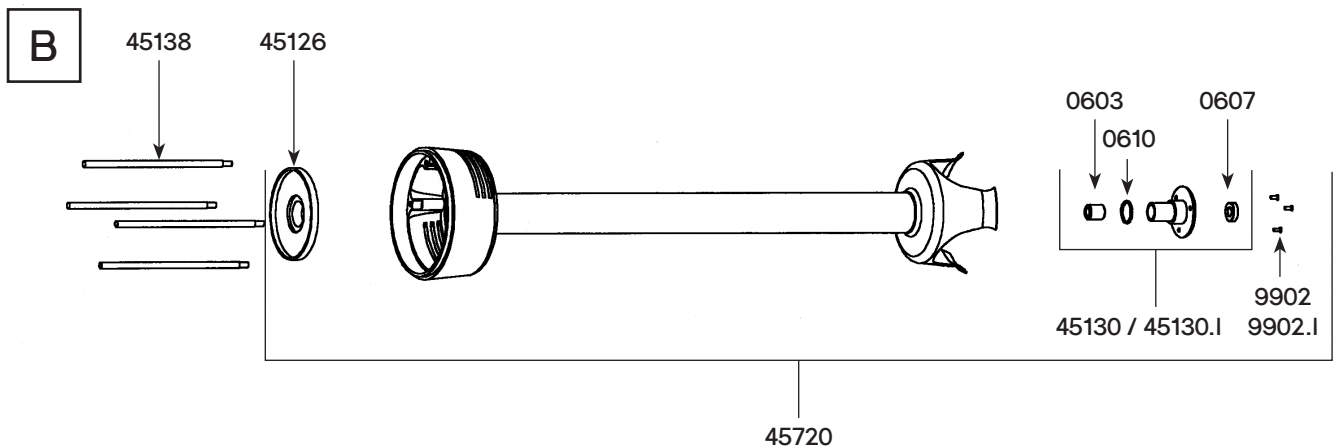
# SMX 502 - 600 MIXER

Parts list	Code
Fan	0509
Carbon brushes (pair)	0529
Ball bearing	0601
Motor ball bearing	0602
Self-lubricating ring	0603
Waterproof seal	0607
O. ring	0610
Rubber washer	0760
Clips	0776
Washer & bolt for fan	0777
Wall bracket	0862
Locking switch	0907
Non-locking switch	0908
Capacitor	0909
Strain relief 230 V	0950
Strain relief 115 V	0950.1
ID label 230 V	1048
ID label 115 V	1049
Bearing holder + seal	1185
Lower bearing screws for aluminium bell (3)	7950
Power cord 230 V	9011
Power cord 115 V	9040
Power cord (Australia)	9066
Power cord (UK)	9067
Lower bearing screws - Stainless steel (3)	9902
Stainless steel lower bearing screws (3)	9902.1
Shaft & ball bearing	45120
Coupling sleeves	45122
Motor & shaft drive sprocket	45123
Fan housing	45125
Double isolation part	45126



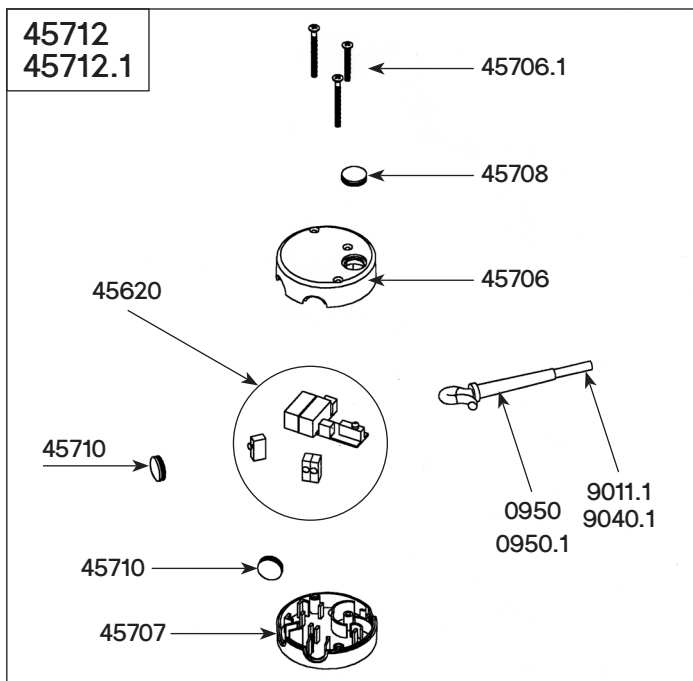
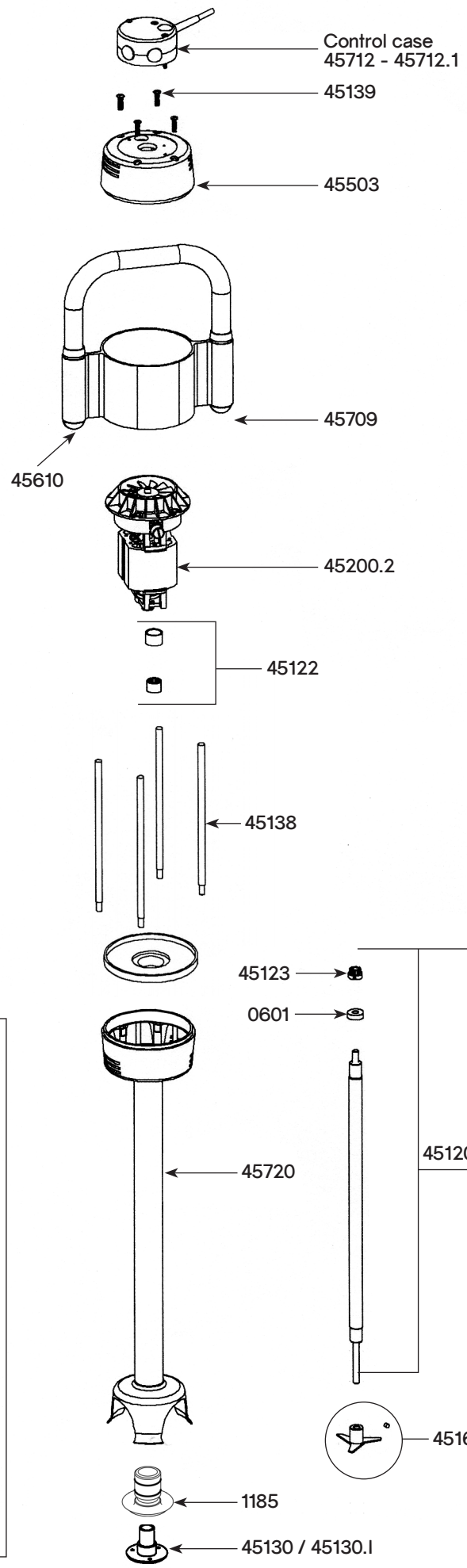


Parts list	Code
Lower bearing assembly	45130
Complete stainless steel lower bearing	45130.1
Lower motor casing	45132
Upper motor casing	45133
Stator 230 V	45135
Stator 115 V	45135.1
Rotor 230 V	45136
Rotor 115 V	45136.1
Stator screws (2)	45137
Braces (4)	45138
Brace screws (4)	45139
Cutter blade w/ screw	45161
Motor 115 V	45200.1
Motor 230 V	45200.2
Squeezing washer (4)	45230
Lower housing (orange plastic piece)	45501
Upper housing (orange plastic piece)	45502
Top housing	45503
Sleeve & complete handle	45505
Complete housing w/ screws	45510
Kit w/ shaft, lower bearing, coupler, cutter	45533
Handle cap (2)	45610
Foot assembly	45720
Locking kit	45721
Complete foot assembly	45722



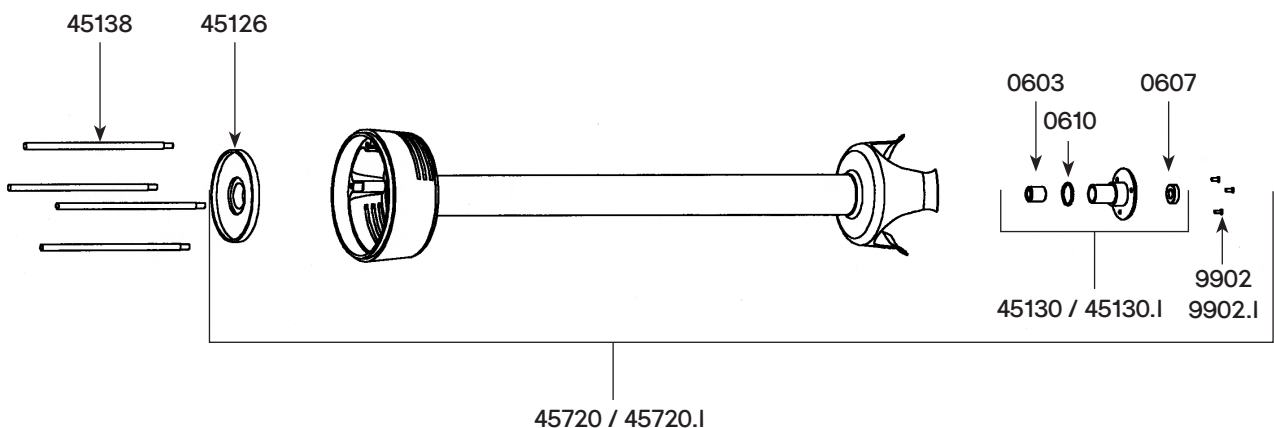
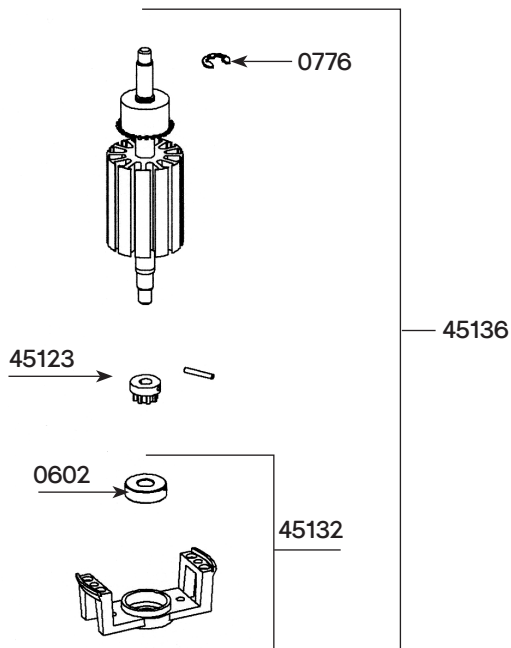
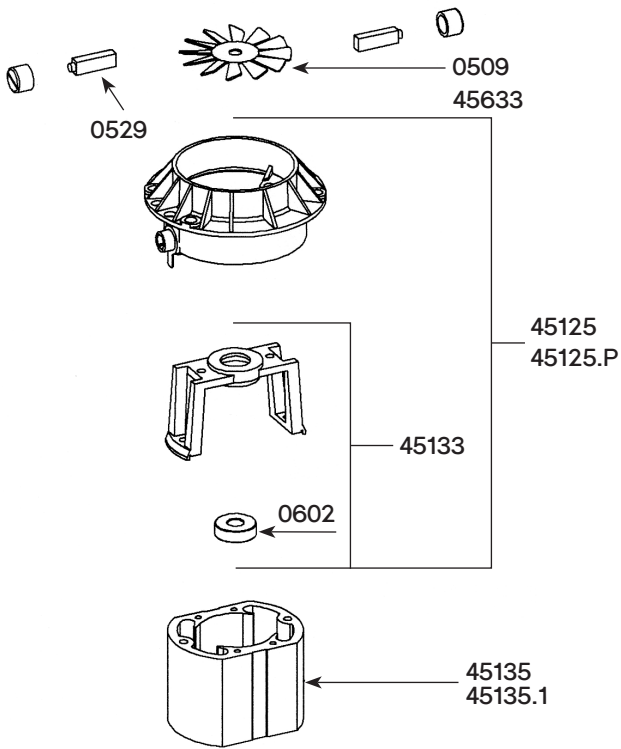
# SMX 600 E MIXER

Parts list	Code
Aluminium Fan	0509
Carbon brushes (pair)	0529
Ball bearing	0601
Motor ball bearing	0602
Self-lubricating ring	0603
Waterproof seal	0607
O. ring	0610
Rubber washer	0760
Clips	0776
Washer & bolt for fan	0777
Wall bracket	0862
Strain relief 230 V	0950
Strain relief 115 V	0950.1
ID label 230 V	1007
ID label 115 V	1009
Bearing holder + seal	1185
Shaft & ball bearing	45120
Coupling sleeves	45122
Motor & shaft drive sprocket	45123
Fan housing Alu	45125
Fan housing Plastic	45125.P
Double isolation part	45126
Lower ball bearing assembly	45130
Complete stainless steel lower bearing	45130.I
Lower motor casing	45132
Upper motor casing	45133
Stator 230 V	45135
Stator 115 V	45135.1
Rotor 230 V	45136



**IMPORTANT :** Each spare part order must include the type and the number of the product which appears on the identification plate.





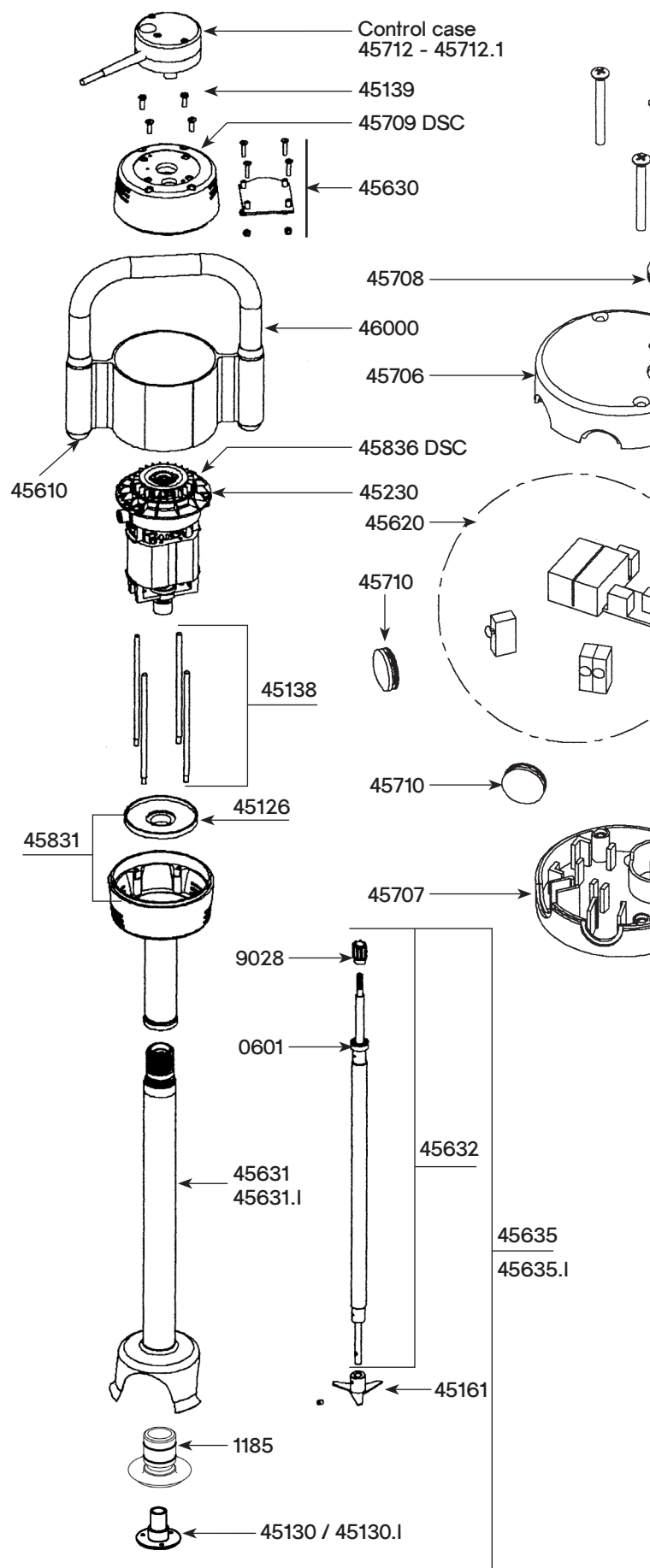
## Parts list

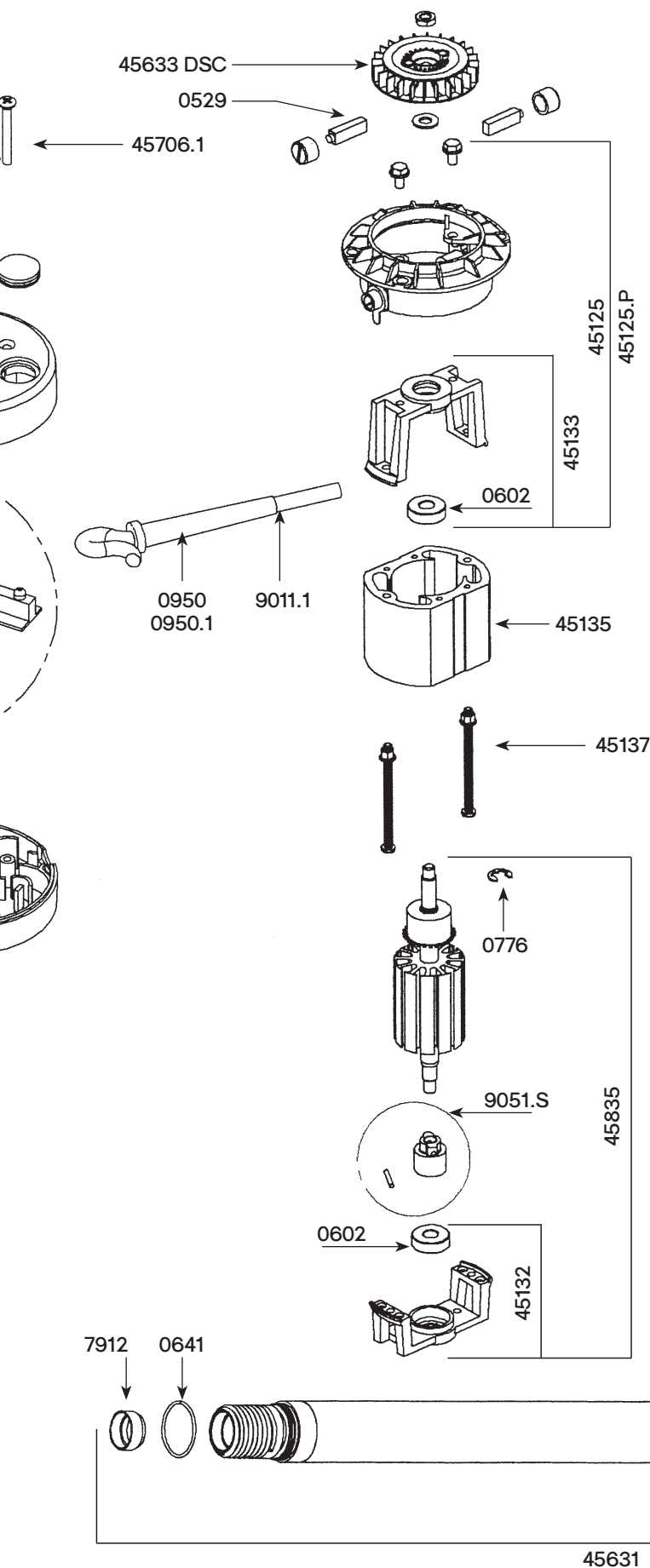
## Code

Rotor 115 V	45136.1
Stator screws (2)	45137
Braces (4)	45138
Brace screws (4)	45139
Cutter blade w/ screw	45161
Motor 115 V	45200.1
Motor 230 V	45200.2
Squeezing washers (4)	45230
Top housing	45503
Kit w/ shaft, lower bearing, coupler, cutter	45533
Kit w/ shaft, stainless steel lower bearing, coupler, cutter	45533.1
Handle cap (2)	45610
Circuit board	45620
Circuit board	45620.1
Plastic Fan	45633
Top housing (orange plastic piece)	45706
Screws control case set	45706.1
Lower housing (orange plastic piece)	45707
Handle cap protector (unit)	45708
Sleeve & complete handle & label & cap	45709
Handle cap protectors (unit)	45710
Lower housing w/ screws	45711
Complete control casing 230V	45712
Complete control casing 115V	45712.1
Foot assembly w/ lower bearing	45720
Foot assembly w/ stainless steel lower bearing	45720.1
Complete foot assembly	45722
Complete stainless steel foot assembly	45722.1
Power cord 230 V	9011.1
Power cord 115 V	9040.1
Power cord (Australia)	9066.1
Power cord (UK)	9067.1
Bearing support screws - Stainless steel (3)	9902
Stainless steel lower bearing screws (3)	9902.1

# SMX 600 DSC MIXER

Parts list	Code
Carbon brushes (pair)	0529
Ball bearing	0601
Motor ball bearing	0602
Self-lubricating ring	0603
Waterproof seal	0607
O. ring	0610
Toric seal	0641
Rubber washer	0760
Clips	0776
Washer & bolt for fan	0777
Wall bracket	0862
Strain relief 230 V	0950
Strain relief 115 V	0950.1
Bearing holder + seal	1185
ID label 230 V	1093
ID label 115 V	1094
Fan housing Alu	45125
Fan housing Plastic	45125.P
Double isolation plate	45126
Lower bearing assembly	45130
Complete stainless steel lower bearing	45130.I
Lower motor casing	45132
Upper motor casing	45133
Stator 230 V	45135
Stator 115 V	45135.1
Stator screws(2)	45137
Braces (4)	45138
Brace screws (4)	45139
Cutter blade w/ screw	45161
Squeezing washers (4)	45230
Handle cap (2)	45610
Circuit board 230 V	45620
Circuit board 115 V	45620.1
Regulation circuit board + screws + insulating part	45630
Foot assembly w/ bearing assembly	45631
Foot assembly w/ stainless steel bearing assembly	45631.I
Shaft & ball bearing	45632
Fan DSC	45633DSC
DSC Complete foot assembly	45635
DSC Complete foot assembly (stainless steel lower bearing)	45635.I
Top housing (orange plastic piece)	45706
Screws control case set	45706.1
Lower housing (orange plastic piece)	45707
Handle cap protector (unit)	45708





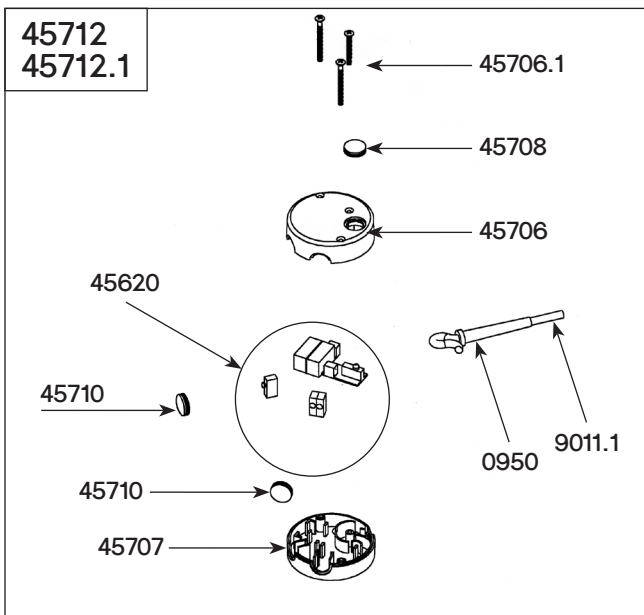
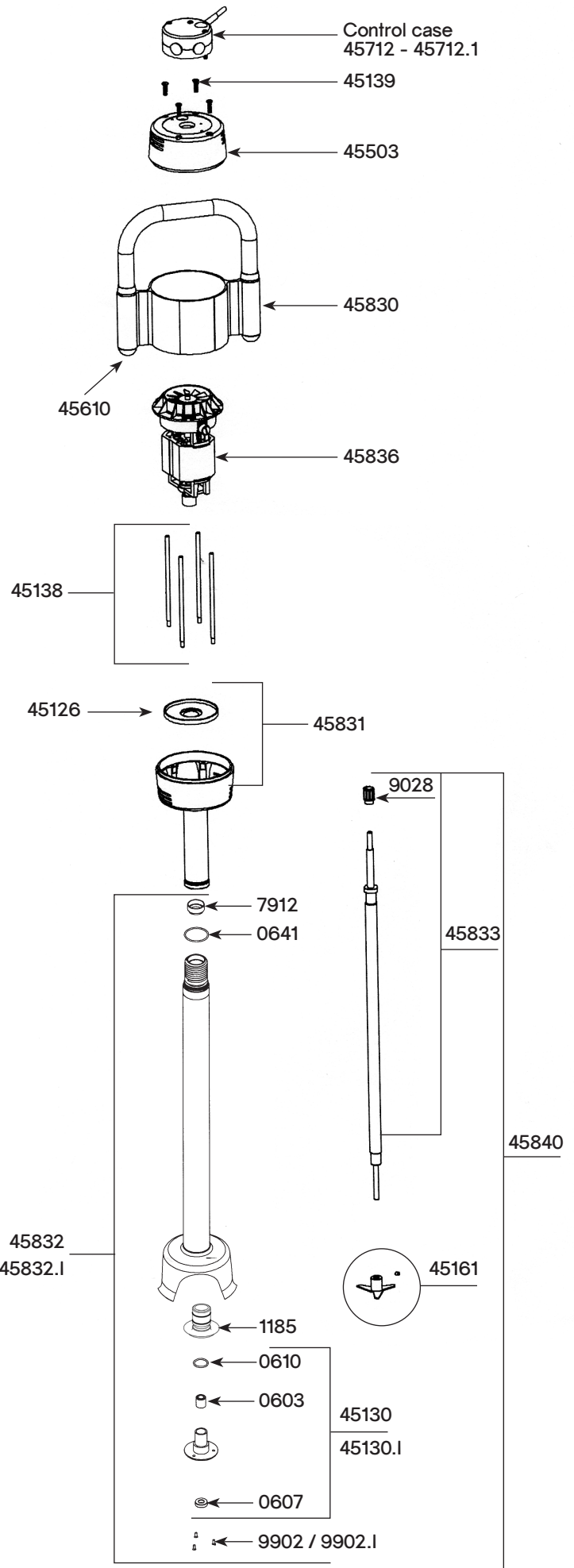
## Parts list

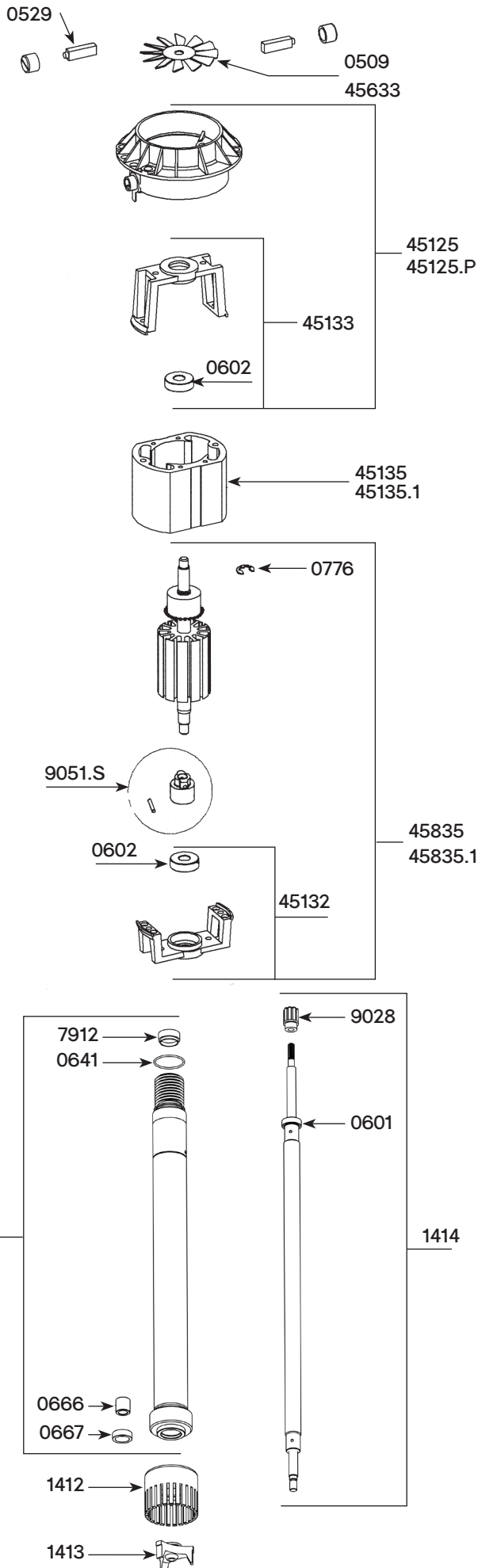
## Code

Upper motor casing	45709DSC
Handle cap protector (unit)	45710
Complete housing w/ screws	45711
Complete control casing 230V	45712
Complete control casing 115V	45712.1
Lower housing	45831
Rotor 230 V	45835
Rotor 115 V	45835.1
Motor 230 V	45836 DSC
Motor 115 V	45836.DSC
Sleeve & complete handle & label & cap	46000
Ball bearing ring	7912
Power cord 230 V	9011.1
Motor & shaft drive sprocket	9028
Power cord 115 V	9040.1
Coupling casing + pin	9051
Power cord (Australia)	9066.1
Power cord (UK)	9067.1
Lower bearing screws - Stainless steel (3)	9902
Stainless steel lower bearing screws (3)	9902.1

# SMX 800 E MIXER

Parts list	Code
Aluminium Fan	0509
Carbon brushes (pair)	0529
Ball bearing	0601
Motor ball bearing	0602
Self-lubricating ring	0603
Waterproof seal	0607
O. ring	0610
Toric seal	0641
Rubber washer	0760
Clips	0776
Washer & bolt for fan	0777
Wall bracket	0862
Strain relief 230 V	0950
Strain relief 115 V	0950.1
ID label 230 V	1073
ID label 115 V	1074
Bearing holder + seal	1185
Fan housing Alu	45125
Fan housing Plastic	45125.P
Double isolation plate	45126
Lower bearing assembly	45130
Complete stainless steel lower bearing	45130.I
Lower motor casing	45132
Upper motor casing	45133
Stator 230 V	45135
Stator 115 V	45135.1
Stator screws(2)	45137
Braces (4)	45138
Brace screws (4)	45139
Cutter blade w/ screw	45161





## Parts list

## Code

Squeezing washer (4)	45230
Top housing	45503
Handle cap (2)	45610
Circuit board 230 V	45620
Plastic fan	45633
Circuit board 115 V	45620.1
Top housing (orange plastic piece)	45706
Screws control case set	45706.1
Lower housing (orange plastic piece)	45707
Handle cap protector (unit)	45708
Handle cap protector (unit)	45710
Complete housing w/ screws	45711
Complete control casing 230V	45712
Complete control casing 115V	45712.1
Sleeve & complete handle & label & cap	45830
Lower housing	45831
Foot assembly w/ bearing assembly	45832
Foot assembly w/ stainless steel lower bearing assembly	45832.1
Shaft & ball bearing	45833
Kit w/ shaft, lower bearing, coupler, cutter	45834
Kit w/ shaft, stainless steel lower bearing, coupler, cutter	45834.1
Rotor 230 V	45835
Rotor 115 V	45835.1
Motor 230 V	45836
Motor 115 V	45836.1
Complete foot assembly	45840
Complete stainless steel foot assembly	45840.1
Ball bearing ring	7912
Power cord 230 V	9011.1
Motor & shaft drive sprocket	9028
Power cord 115 V	9040.1
Coupling casing + pin	9051
Power cord (Australia)	9066.1
Power cord (UK)	9067.1
Lower bearing screws - Stainless steel (3)	9902
Stainless steel lower bearing screws (3)	9902.1

## BLENDER SMX Tool

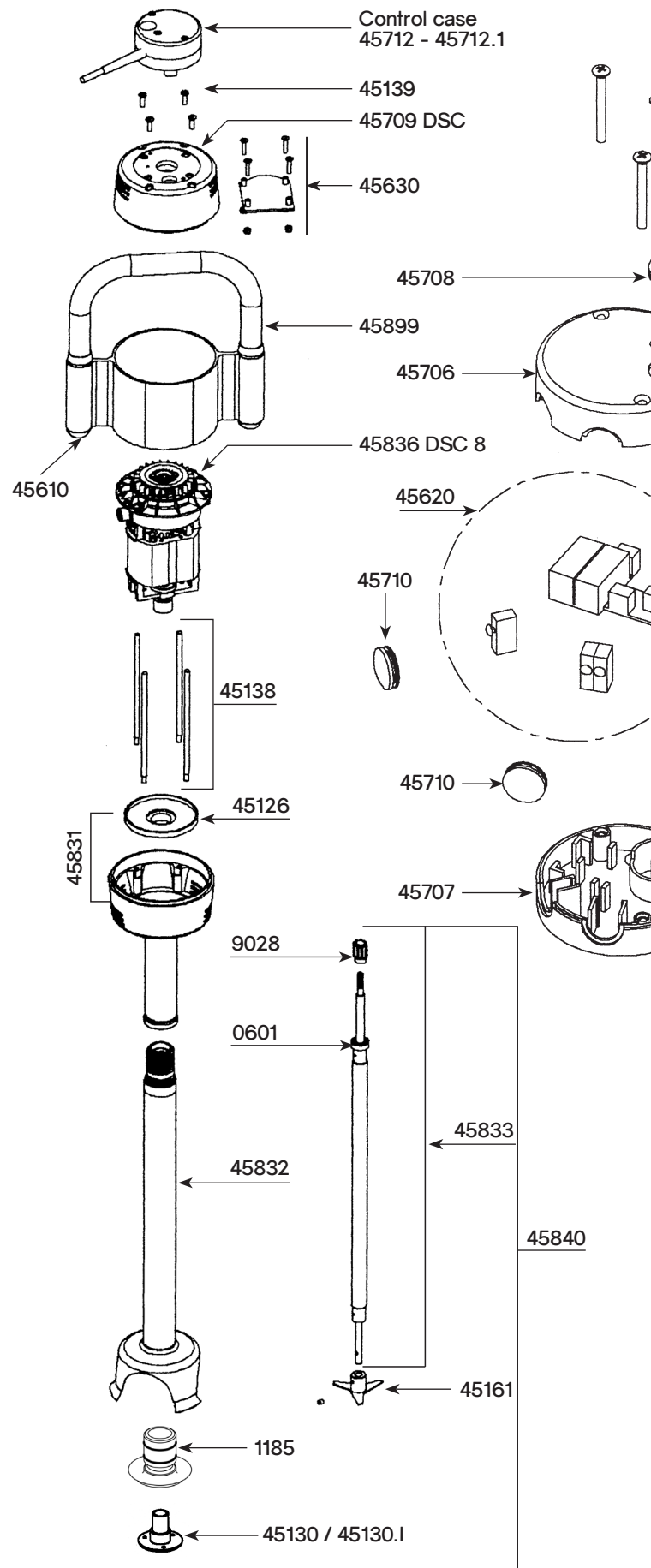
### Nomenclature des pièces

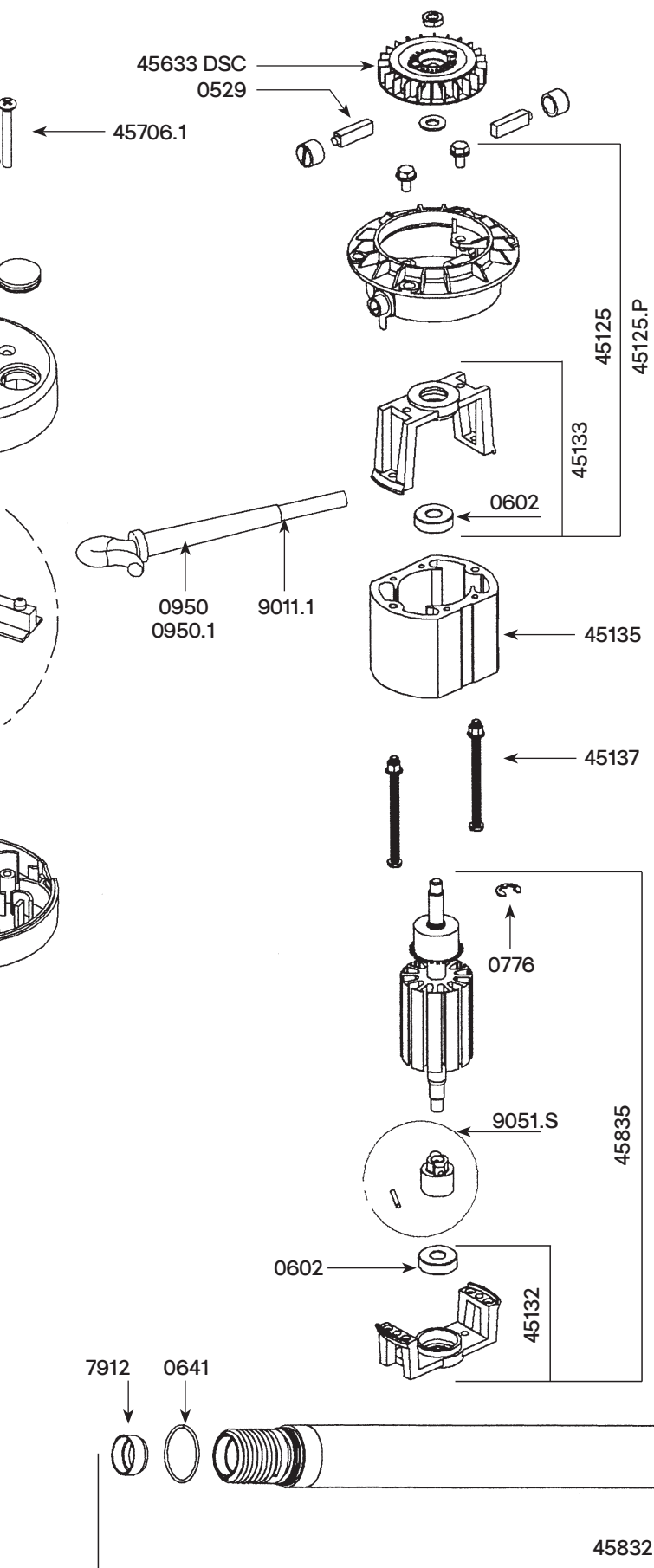
### Code

Ball bearing	0601
Toric seal	0641
Bague autolubrifiante	0666
Bague d'étanchéité	0667
Entretoise avec bagues et joint	1411
Cloche BLENDER SMX	1412
Couteau BLENDER SMX	1413
Arbre de transmission (roulement, moyeu d'accouplement)	1414
Ball bearing ring	7912
Motor & shaft drive sprocket	9028

# SMX 800 DSC MIXER

Parts list	Code
Carbon brushes (pair)	0529
Ball bearing	0601
Motor ball bearing	0602
Self-lubricating ring	0603
Waterproof seal	0607
O. ring	0610
Toric seal	0641
Rubber washer	0760
Clips	0776
Washer & bolt for fan	0777
Wall bracket	0862
Strain relief 230 V	0950
Strain relief 115 V	0950.1
ID label 230 V	1098
ID label 115 V	1099
Bearing holder + seal	1185
Fan housing Alu	45125
Fan housing Plastic	45125.P
Double isolation plate	45126
Lower bearing assembly	45130
Complete stainless steel lower bearing	45130.1
Lower motor casing	45132
Upper motor casing	45133
Stator 230 V	45135
Stator 115 V	45135.1
Stator screws(2)	45137
Braces (4)	45138
Brace screws (4)	45139
Cutter blade w/ screw	45161
Squeezing washers (4)	45230
Handle cap (2)	45610
Circuit board 230 V	45620
Circuit board 115 V	45620.1
Regulation circuit board	45630
Fan DSC	45633DSC
Top housing (orange plastic piece)	45706
Screws control case set	45706.1
Lower housing (orange plastic piece)	45707
Handle cap protector (unit)	45708
Upper motor casing	45709DSC
Handle cap protector (unit)	45710
Complete housing w/ screws	45711
Complete control casing 230V	45712
Complete control casing 115V	45712.1





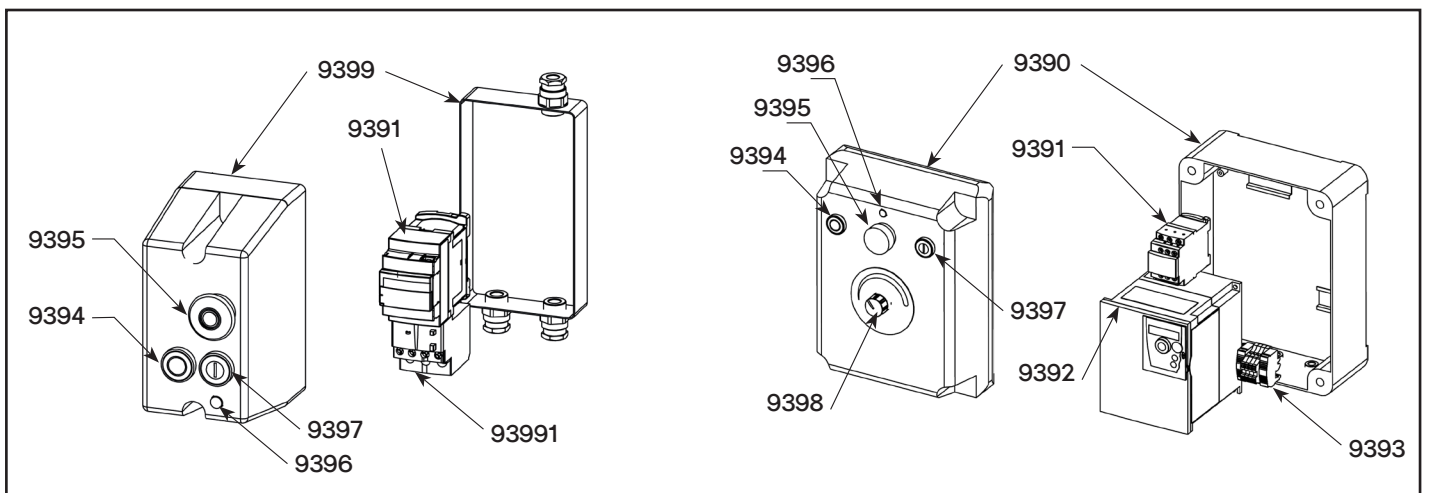
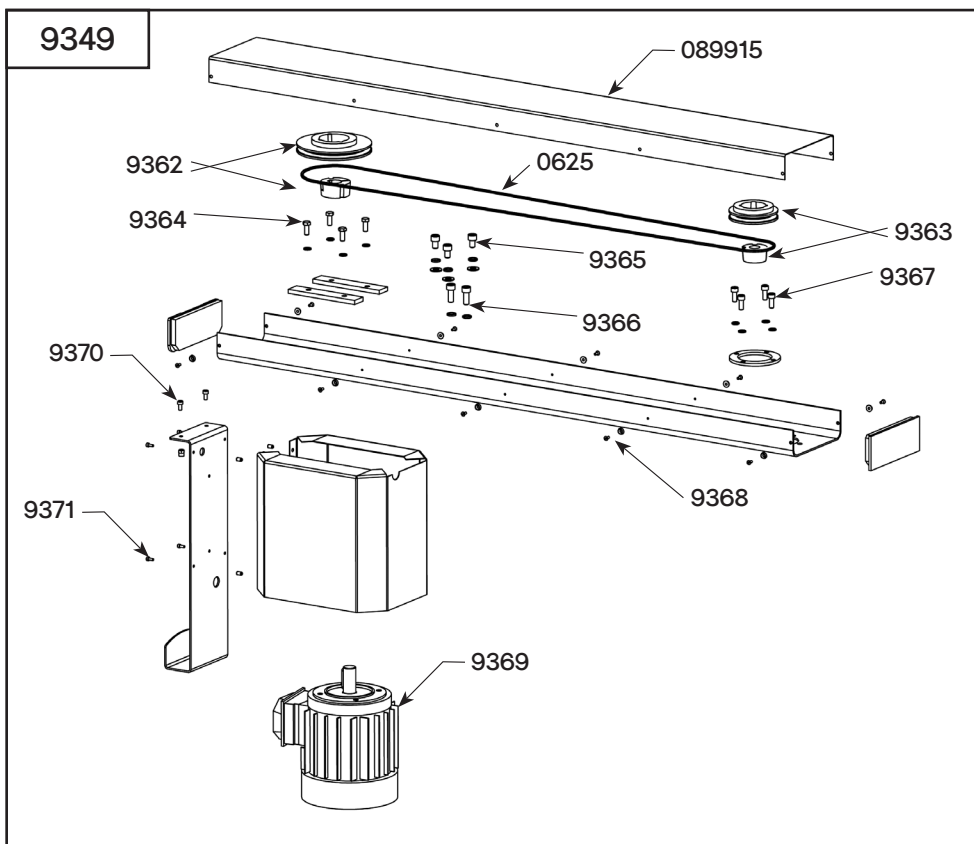
## Parts list

## Code

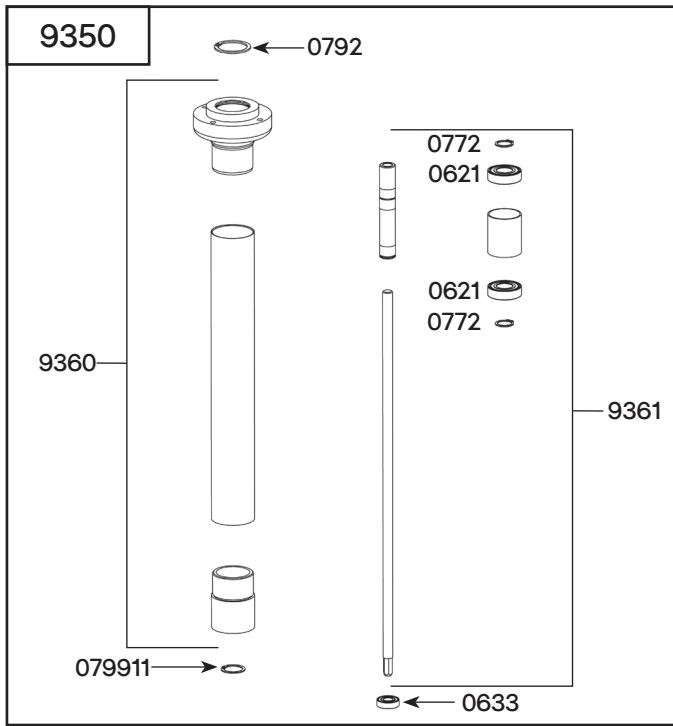
Lower housing	45831
Foot assembly w/ bearing assembly	45832
Foot assembly w/ stainless steel lower bearing assembly	45832.I
Shaft & ball bearing	45833
Shaft, lower ball bearing & cutter assembly	45834
Stainless steel shaft, lower ball bearing & cutter assembly	45834.I
Rotor 230 V	45835
Rotor 115 V	45835.1
Motor 230 V	45836.DSC8
Motor 115 V	45836.I.DSC8
Complete foot assembly	45840
Complete stainless steel foot assembly	45840.I
Sleeve & complete handle & label & cap	45899
Ball bearing ring	7912
Power cord 230 V	9011.1
Motor & shaft drive sprocket	9028
Power cord 115 V	9040.1
Coupling casing + pin	9051
Power cord (Australia)	9066.1
Power cord (UK)	9067.1
Lower bearing screws - Stainless steel (3)	9902
Stainless steel lower bearing screws (3)	9902.I

Parts list	Code
Jib assembling.....	9349
Transmission belt	0625
Cover	089915
Directing pulley + hub	9362
Conducting pulley + hub	9363
Screw set + washers for fixing the motor	9364
Screw set + washers for fixing the jib	9365
Screw set + washers for fixing the axle-brake	9366
Screw set + washers for fixing the tube	9367
Screw set + washers for fixing the cover	9368
Motor	9369
Screw set + nuts for fixing the steel sheet on the jib	9370
Screw set for fixing the steel sheet on the motor housing	9371

Parts list	Code
Electric case	
Case + pe	9390
Contacteur	9391
Variable speed tri 2.2 Kw	9392
Terminal connector	9393
Stop push button	9394
Emergency stop button	9395
Led « power on »	9396
Start push button	9397
Button + potentiometer	9398
Case + pe	9399
Thermal relay	93991

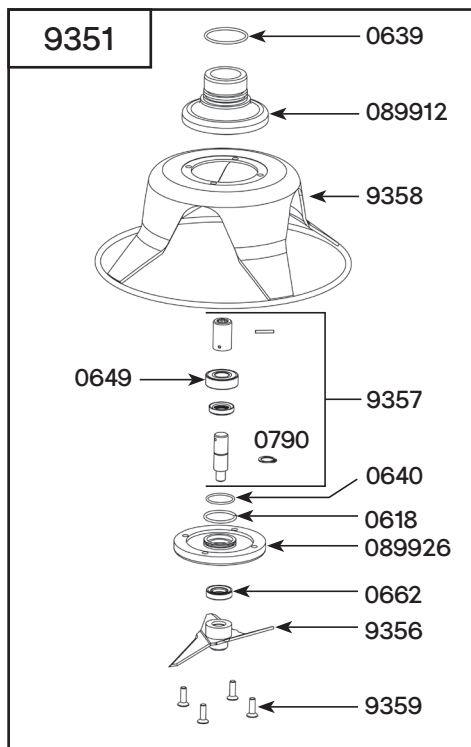






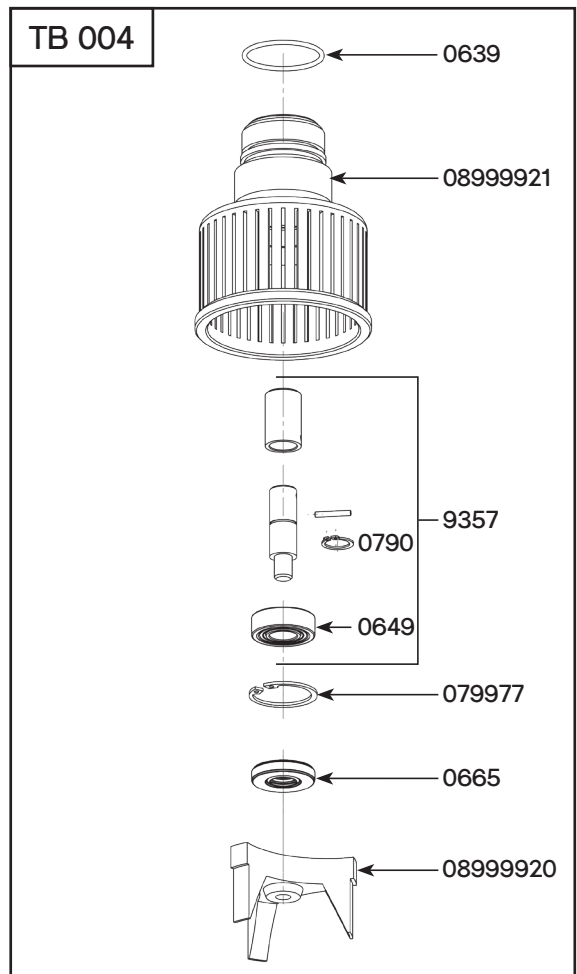
Parts list	Code
Foot attachment assembling.....	9350
Ball bearing (unit)	0621
Ball bearing	0633
Clips (2)	0772
Rubber ring for upper bearing holder	0792
Rubber ring case	079911
Bearing holder, brace, case	9360
Drive shaft	9361

Parts list	Code
Detachable bell assembling.....	9351
Toric joint 30 x 3	0618
Toric joint 42 x 2.5	0639
Toric joint 34 x 2	0640
Ball bearing	0649
Waterproof lip seal	0662
Open head locking washer	0790
Lower bearing	089912
Seal support	089926
Waterproofness set (seals + ball bearing + screws + open head locking washer)	9349
Blade	9356
Lower shaft + bearing + coupling + clips	9357
Protection bell	9358
Assembling set of screw for the bell	9359



Nomenclature des pièces Code

Toric joint	0639
Ball bearing	0649
Waterproof seal	0665
Elastic ring Ø15	0790
Elastic ring Ø35	079977
Hammer	0899920
BLENDER GIGAMIX bell	0899921
Lower shaft + bearing + coupling + clips	9357



## Parts list

## Code

Pin-brake assembling ..... 9352

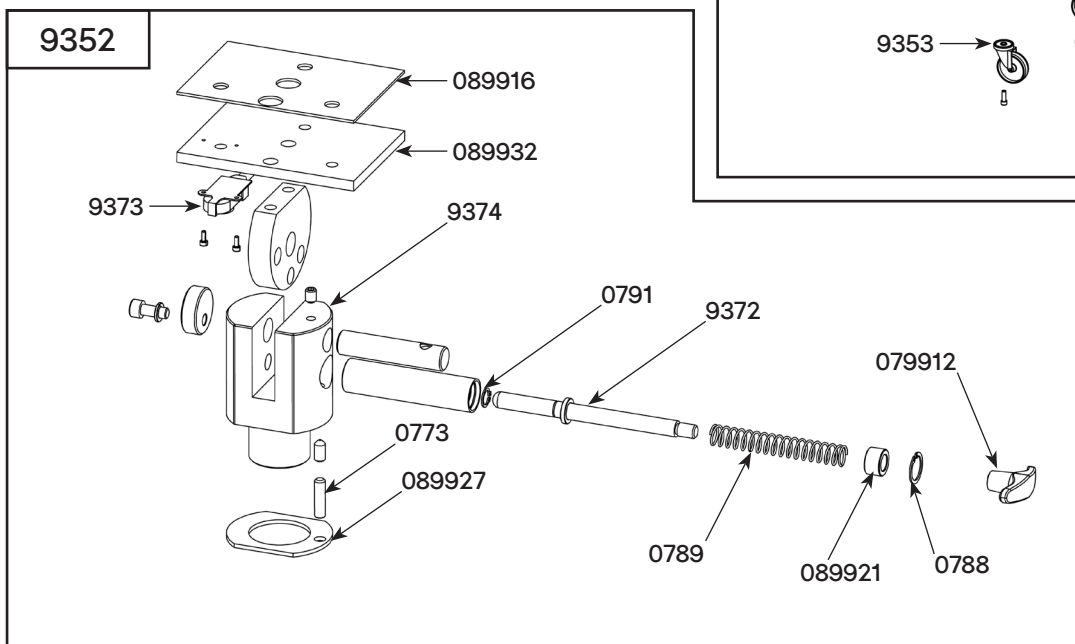
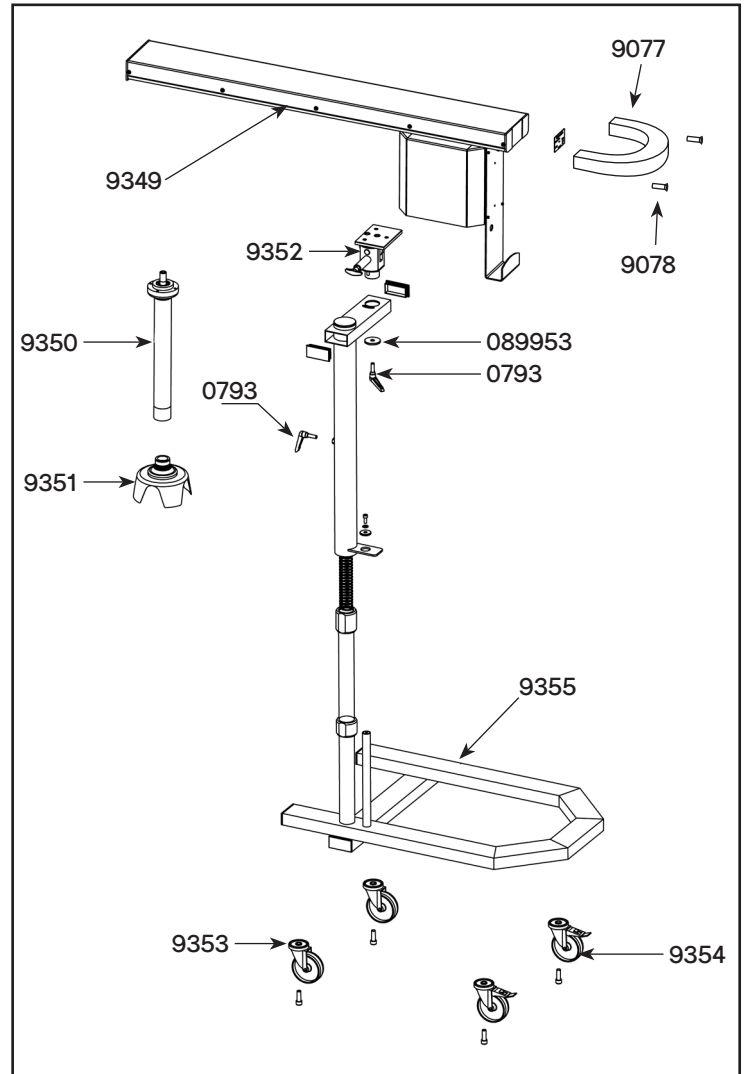
Plain screw M8x30	0773
Rubber ring for brake thrust	0788
Compression spring	0789
Rubber ring for brake axle	0791
Handle for brake	079912
Insulating sheet	089916
Brake thrust	089921
Interpolated sheet	089927
Jib plate holder	089932
Handle	9077
Handle screws	9078
Brake axle	9372
Microswitch + screws	9373
Pin-brake + eccentric + cam + cam axle	9374

## Parts list

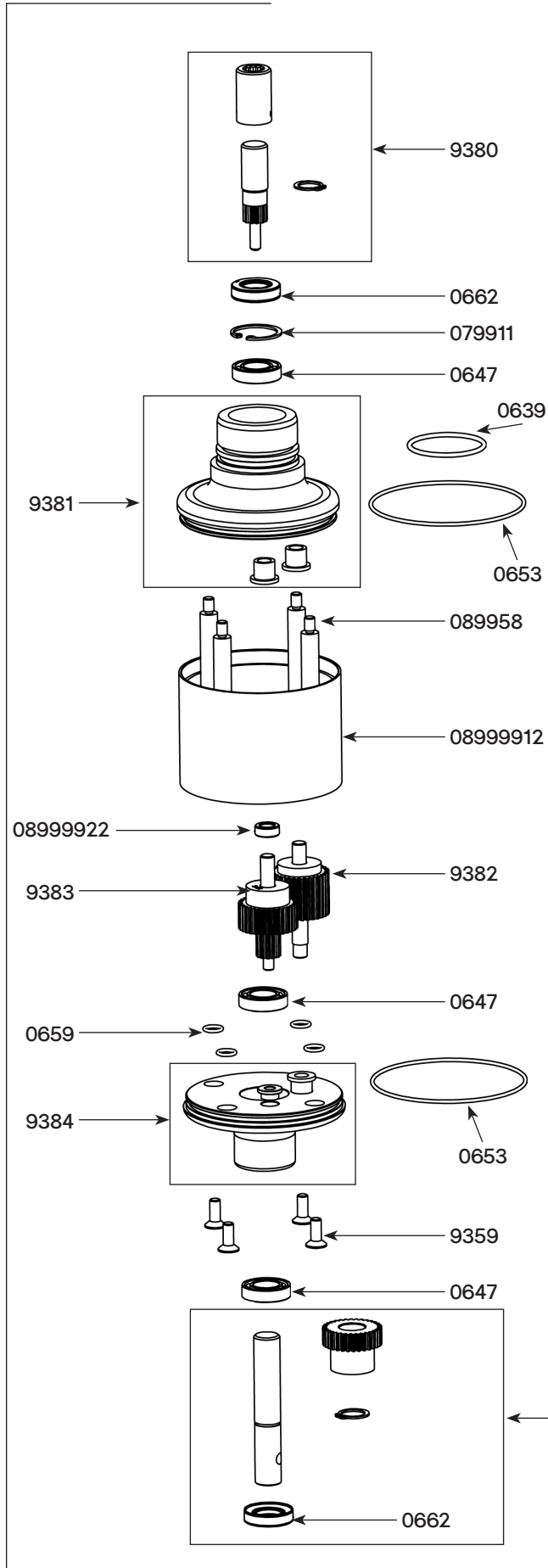
## Code

Additional parts

Detachable handle	0793
Ring 50x12	089953
Fixed wheel + screws (unit)	9353
Brake wheel + screws (unit)	9354
Frame + jib holder	9355



9387

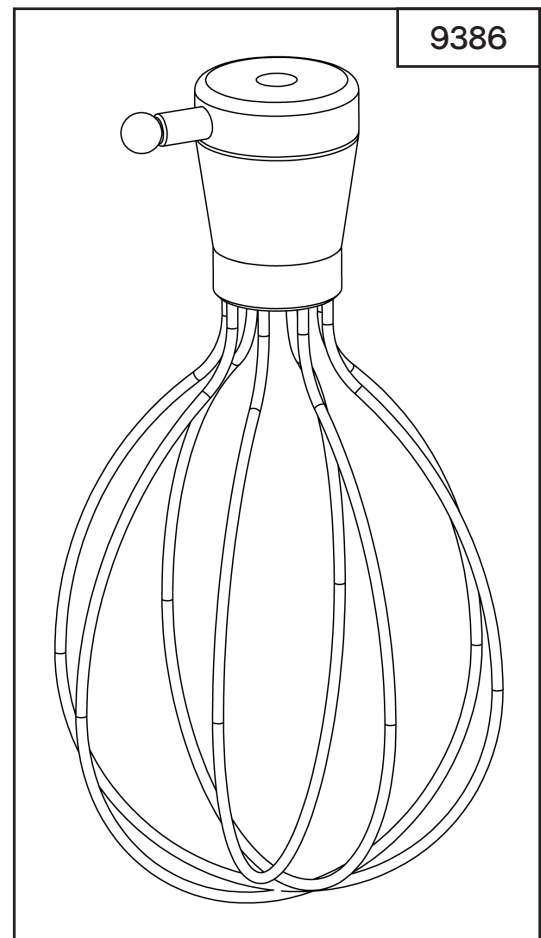


Parts list

Code

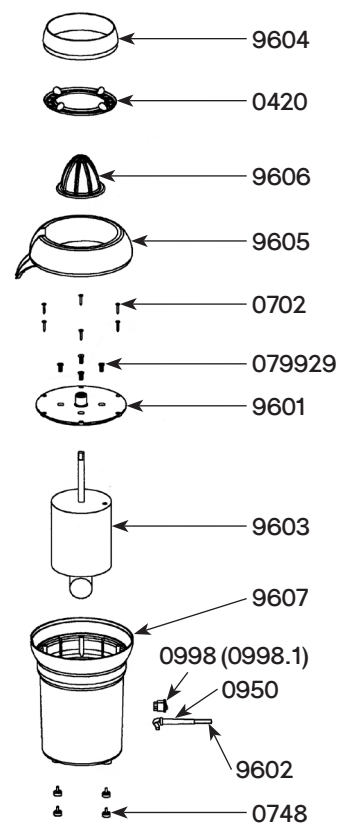
Beater whisk assembling

Toric seal 42 x 2.5	0639
Ball bearing	0647
Toric seal 86 x 2	0653
Toric seal 8 x 1.9 (1)	0659
Waterproof ring	0662
Clip	079911
Spacer rod (1)	089958
Tube	0899912
Tube middle gear	089972
Screws M6 (4)	9359
Equipped upper shaft	9380
Lower bearing + rings	9381
Equipped output axle w/ 2 gears	9382
Middle gear and shaft	9383
Reduction case holder + rings	9384
Output axle	9385
Whisk tool	9386
Complete reduction casing without whip	9387



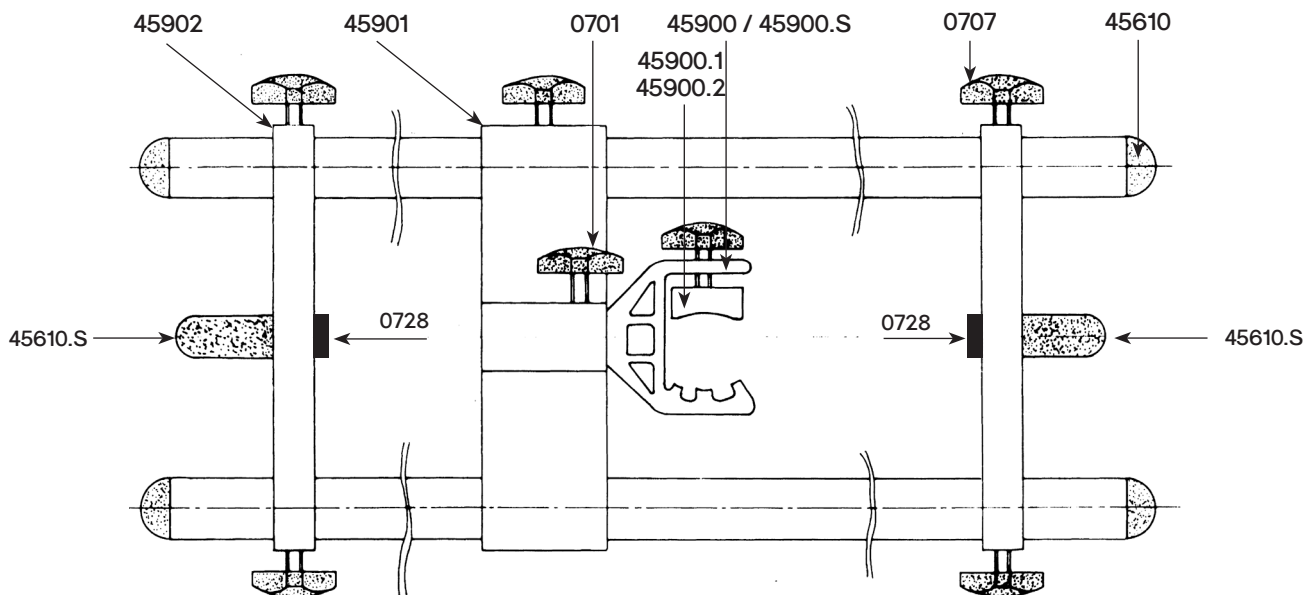
# PA 96 CITRUS JUICER - DYNAJUICER

Parts list	Code
Pulp filter	0420
Base screws (3)	0702
Pad	0748
Motor screw (1)	079929
Strain relief 230 V	0950
Strain relief 115V	0950.1
Switch	0998
Switch from N°70037	0998.1
Motor holder + waterproof ring	9601
Power cord 230 V	9602
Power cord 115 V	9602.1
Power cord (UK)	9602.2
Power cord (Australia)	9602.3
Motor + capacitor + shaft 230 V	9603
Motor + capacitor + shaft 115 V	9603.1
Upper ring	9604
Top orange container	9605
Centrifuge cone	9606
Base	9607

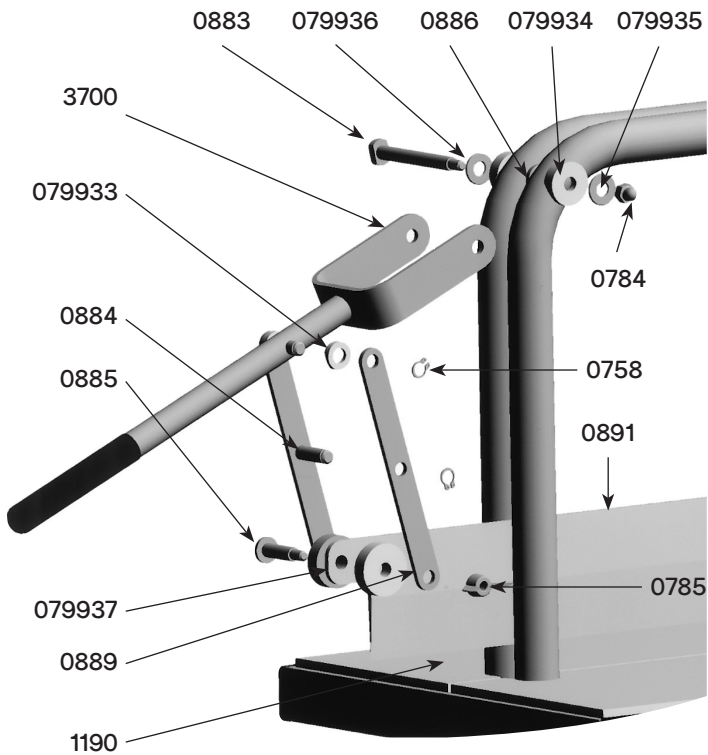


# SM 4/6/8/10/12 MIXER SUPPORTS

Parts list	Code
Tightening knob	0701
Tightening knob	0707
White knob (x2)	0728
Plastic caps	45610
Plastic holder for tube	45900
SENIOR plastic holder for tube	45900.S
Orange half moon + screws + washer	45900.1
SENIOR orange half moon + screws + washer + block	45900.2
60 mm width bracket	45901
20 mm width bracket	45902
Exterior stop (x2)	45610.S



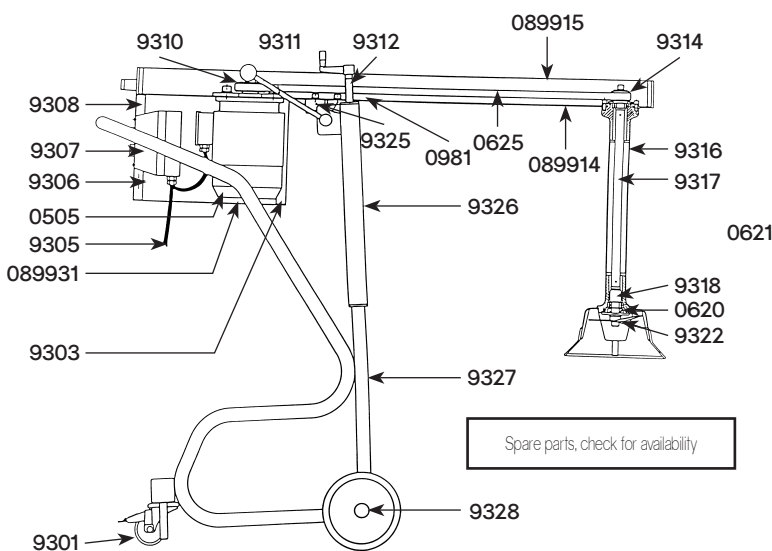
**IMPORTANT :** Each spare part order must include the type and the number of the product which appears on the identification plate.



Parts list	Code
Circlips	0758
Fork break nut	0784
Wing nut	0785
Fork axle	0883
Connecting rod axle	0884
Blade axle	0885
Thickness wedge	0886
Connecting rod	0889
Knife blade	0891
Tray	1190
Fork	3700
Connecting rod concave washer	079933
Fork concave washer	079934
Brake nut washer	079935
Fork washer	079936
Blade plastic washer	079937

## GM93 MIXER

Parts list	Code
Motor 230 V	0505
Motor 115 V	0518
Waterproof seal	0620
Lower or upper ball bearing	0621
Transmission belt	0625
Pole	0899.14
Hood pole	0899.15
Side hood	0899.31

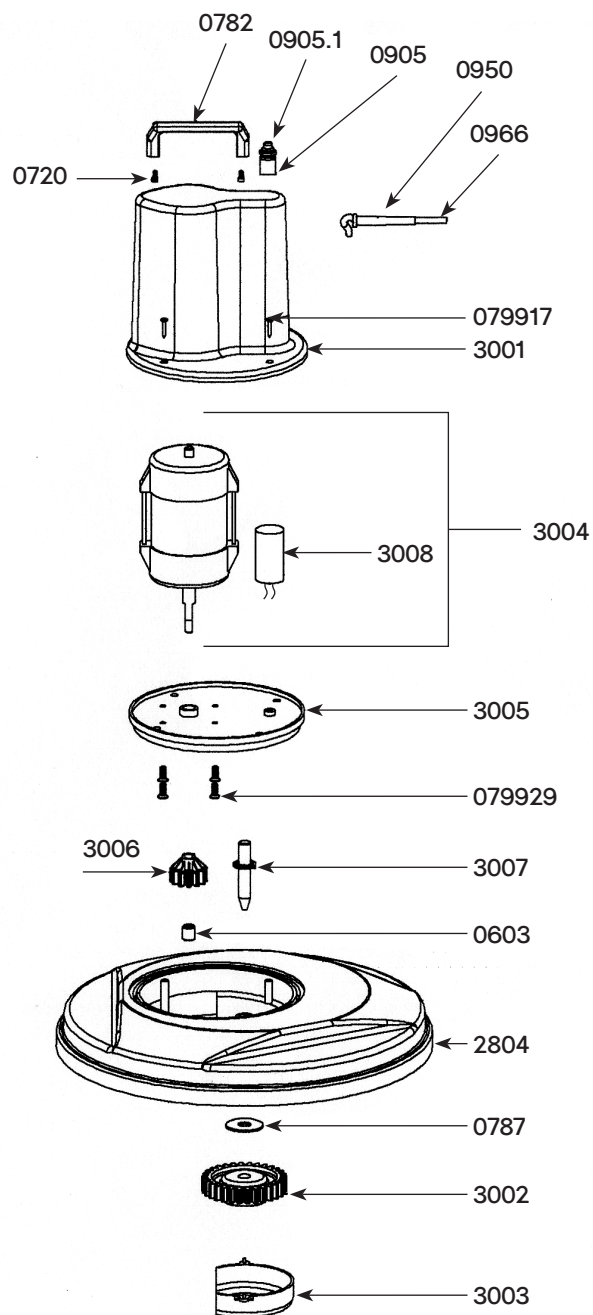
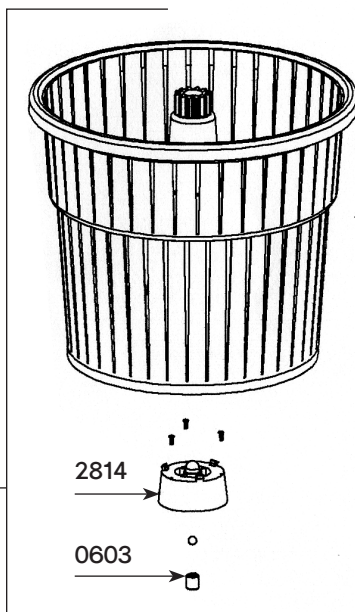
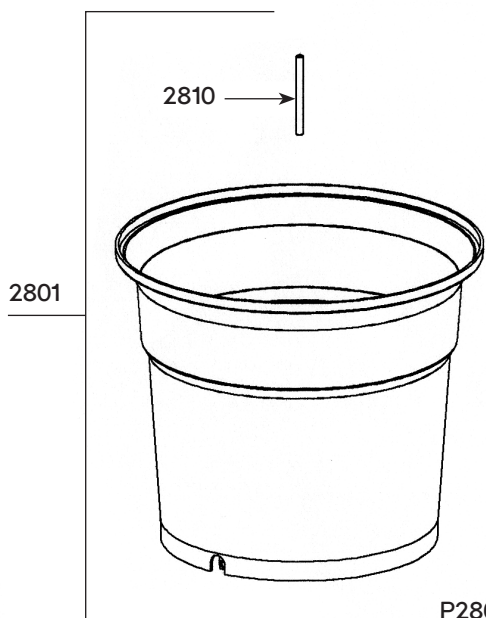


Parts list	Code
Magnetic switch	0981
Wheel with brake	9301
Front hood	9303
Power cord (380V)	9305
Hood screw w/ plastic washer (unit)	9306
Switch w/ control box	9307
Switch w/ control box	9307.1
Back hood	9308
Motor pulley	9310
Squeezing handle	9311
Level adjustment handle	9312
Shaft pulley	9314
Foot assembly	9316
Main shaft	9317
Lower shaft	9318
Cutter blade	9322
Rubber holders (3)	9325
Fork	9326
Frame	9327
Front wheel	9328

# EM 98 N ELECTRIC SALAD SPINNER

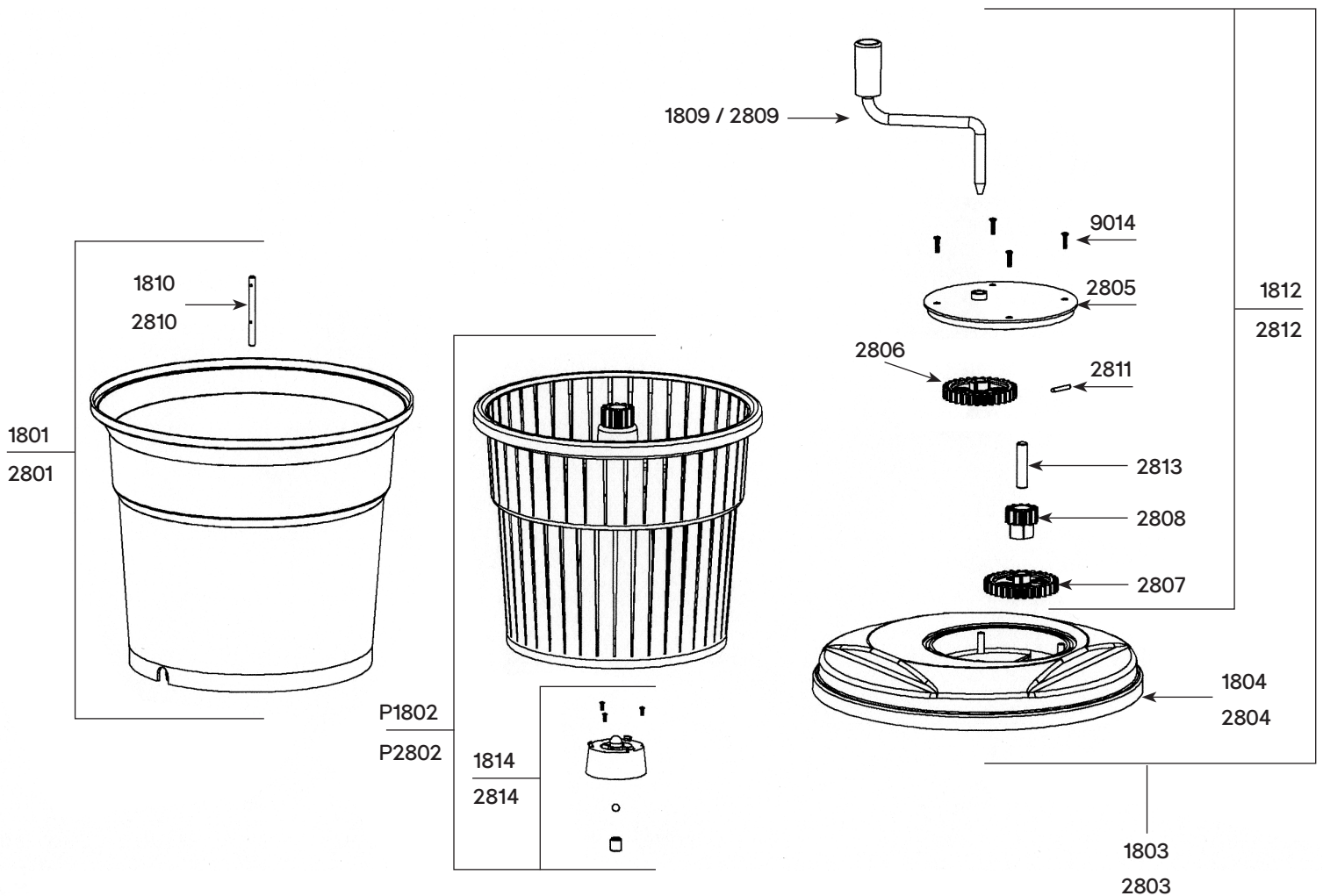
Parts list	Code
Self-lubricating ring	0603
Handle screw (ea)	0720
Handle	0782
Friction washer	0787
Motor housing screws	079917
Switch	0905
Switch protector	0905.1
Strain relief 230 V	0950
Strain relief 115 V	0950.1
Power cord 230 V	0966
Power cord 115 V	0967
Power cord (UK)	0973
Power cord (Australia)	0974
Outside basket	2801
Inside basket	P2802
Cover w/ o small cover, handle & gear	2804
Axle for outside basket	2810
Axle (including screw)	2814
Motor housing 230V (with label)	3001
Motor housing 115V (with label)	3001.1
Big gear	3002

Parts list	Code
Gear housing protector	3003
Motor 230 V (+ capacitor)	3004
Motor 115 V (+ capacitor)	3004.1
Motor plate	3005
Small gear	3006
Axle, big gear	3007
Filtering capacitor 230V	3008
Filtering capacitor 115V	3008.1
Motor screws	079929



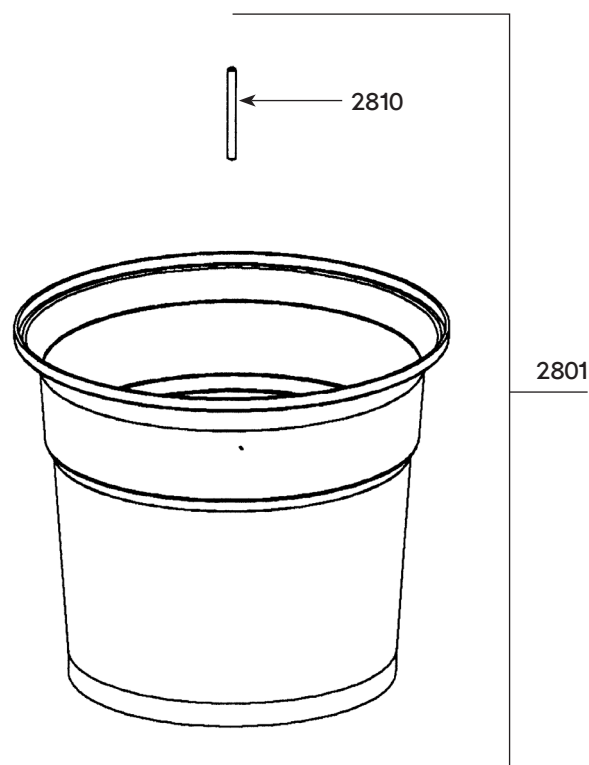
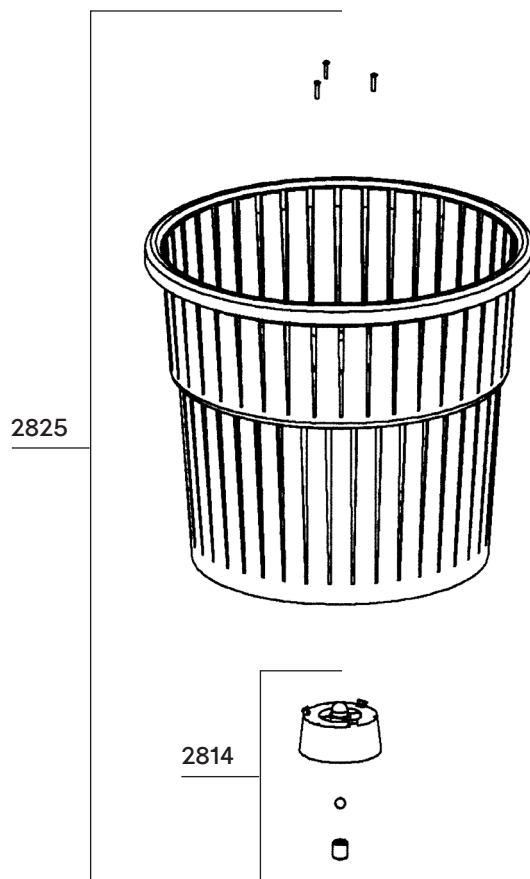
Parts list E 10	Code
Outside basket	1801
Inside basket	P1802
Complete cover	1803
Cover w/ o small cover, handle & gear	1804
Handle only	1809
Axle for outside basket	1810
Small cover with handle & gear	1812
Axle	1814
Small cover (w/ o handle & drive gear)	2805
Perforated drive gear + pin	2806
Large gear	2807
Small gear	2808
Pin	2811
Axle for drive & small gear	2813
Set of gears (2806, 2807, 2808, 2811)	2815.1
Handle screws (4)	9014
Orange plastic nuts (4)	9014.P
Stainless steel pins (M4x25) (4)	9014.G

Parts list E 20	Code
Outside basket	2801
Inside basket	P2802
Complete cover	2803
Cover w/ o small cover, handle & gear	2804
Small cover (w/ o handle & drive gear)	2805
Perforated drive gear + pin	2806
Large gear	2807
Small gear	2808
Handle only	2809
Axle for outside basket	2810
Pin	2811
Small cover with handle & gear	2812
Axle for drive & small gear	2813
Axle	2814
Set of gears (2806, 2807, 2808, 2811)	2815.1
Handle screws (4)	9014
Orange plastic nuts (4)	9014.P
Stainless steel pins (M4x25) (4)	9014.G



# MANUAL SALAD SPINNER E 20 "SEALED COVER"

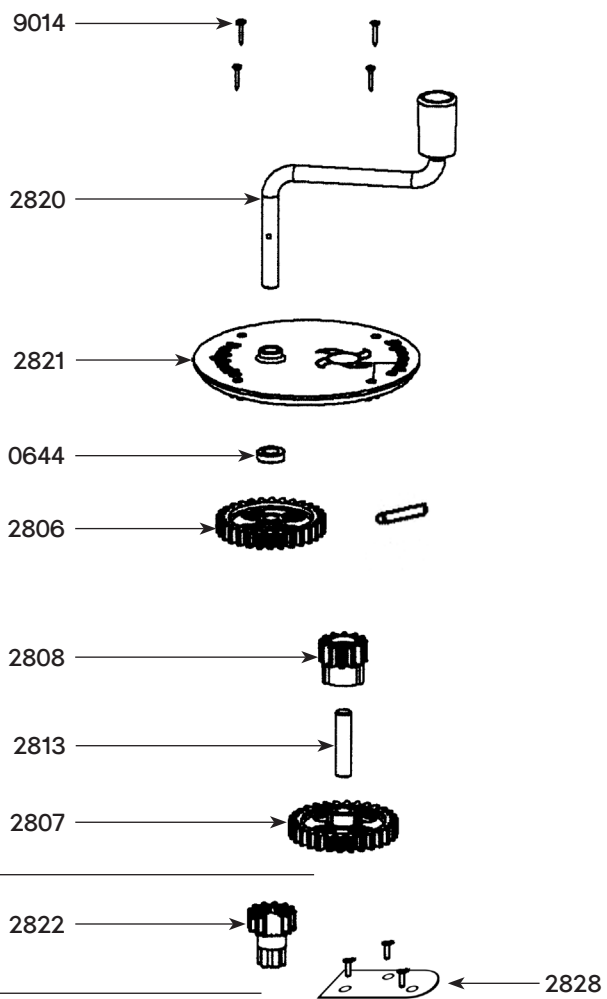
Parts list	Code
Waterproof seal 14 x 24 x 7	0644
Waterproof seal 25 x 37 x 6	0645
O. Ring	0646
Screws TBF 3.9 x 14	079958
Outside basket	2801
Perforated drive gear + pin	2806
Large gear	2807
Small gear	2808
Axle for outside basket	2810
Pin for large gear	2811
Axle for drive & small gear	2813
Axle	2814
Set of gears (2806, 2807, 2808, 2811, 2822)	2815.2
Handle only	2820
Small cover (w/ o handle & drive gear)	2821
Output small gear	2822
Equipped cover (O. Ring + Waterproof seal)	2823
Coupling sleeve	2824
Inside basket	2825
Small cover with handle & gear	2826
Complete cover	2827
Plate + screws (3)	2828
Screws (4)	9014



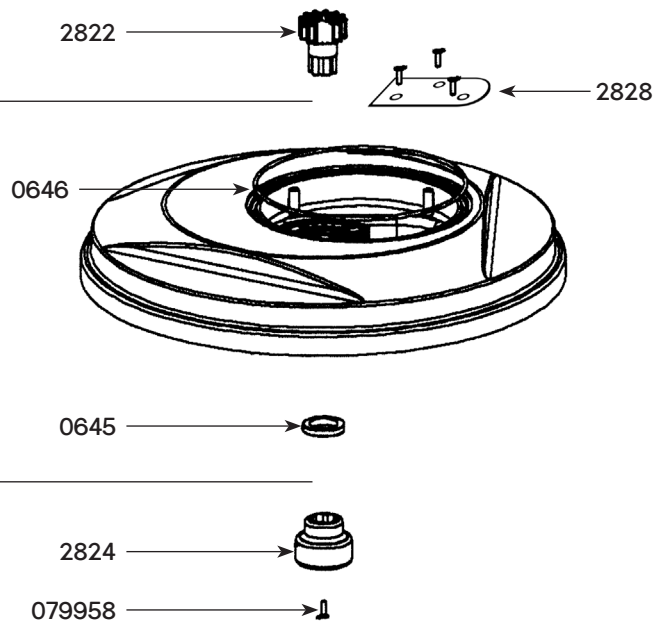


2827

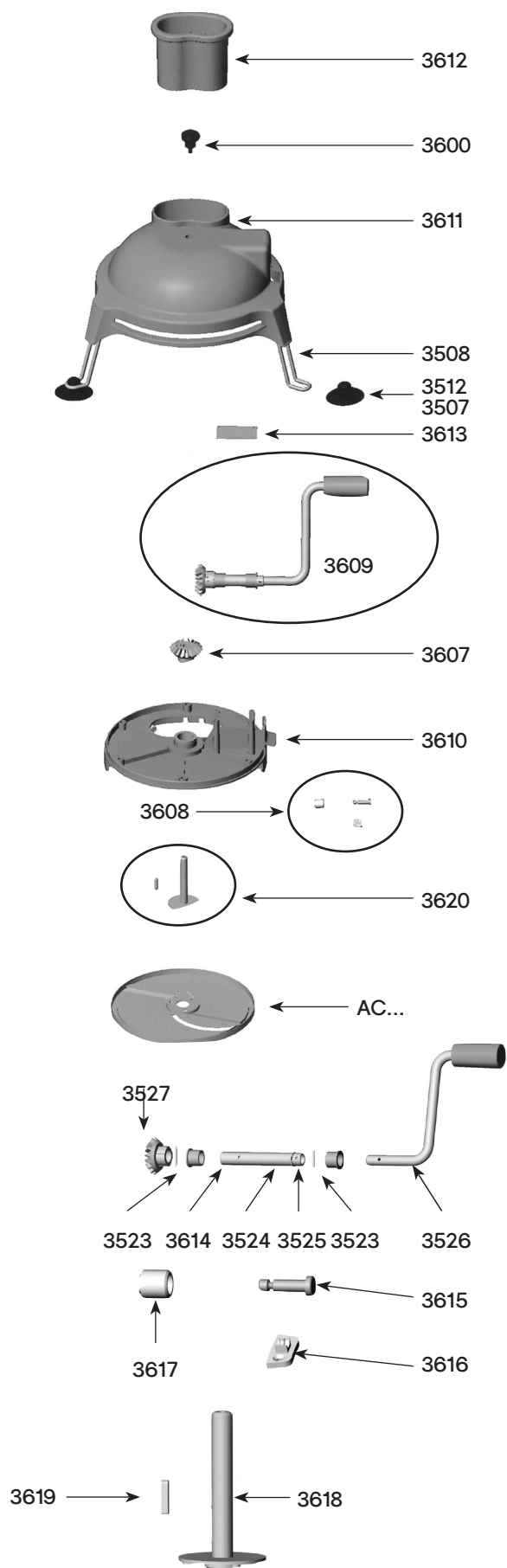
2826

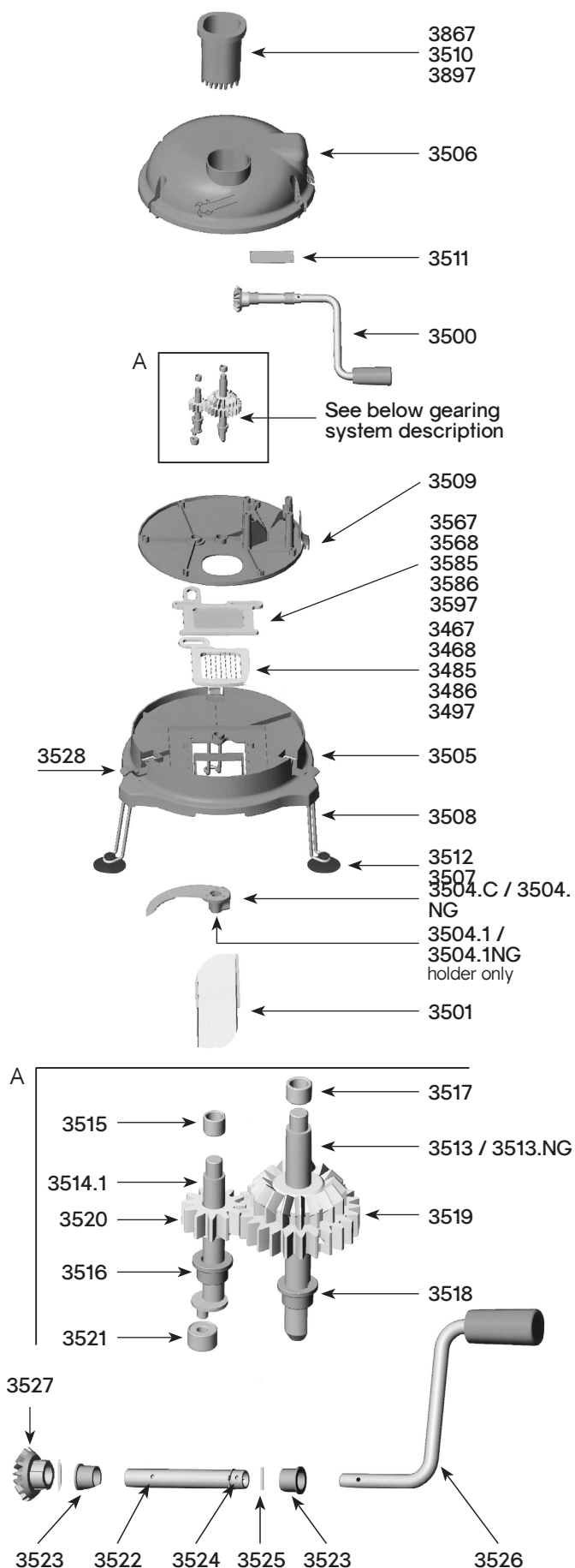


2823



Parts list	Code
Mounting support (unit)	3507
Foot	3508
Suction cup (unit)	3512
Self-lubricating ring (unit)	3523
Circlips 18	3524
Handle pin 4X18	3525
Crank handle and pin	3526
Cone shape gear and pin	3527
Screw on button	3600
Smooth cone shape gear	3607
Plastic ball bearings	3608
Handle (crank) assembly kit	3609
Lower plate with screws (6) + self-lubricating ring	3610
Upper cover casing	3611
Pusher	3612
Blockage sheet + screws (4)	3613
Hollow axle	3614
Roller axle	3615
Support with screws (2)	3616
Roller	3617
Disc holder	3618
Cutter pin	3619
Axle assembly for disc holder	3620



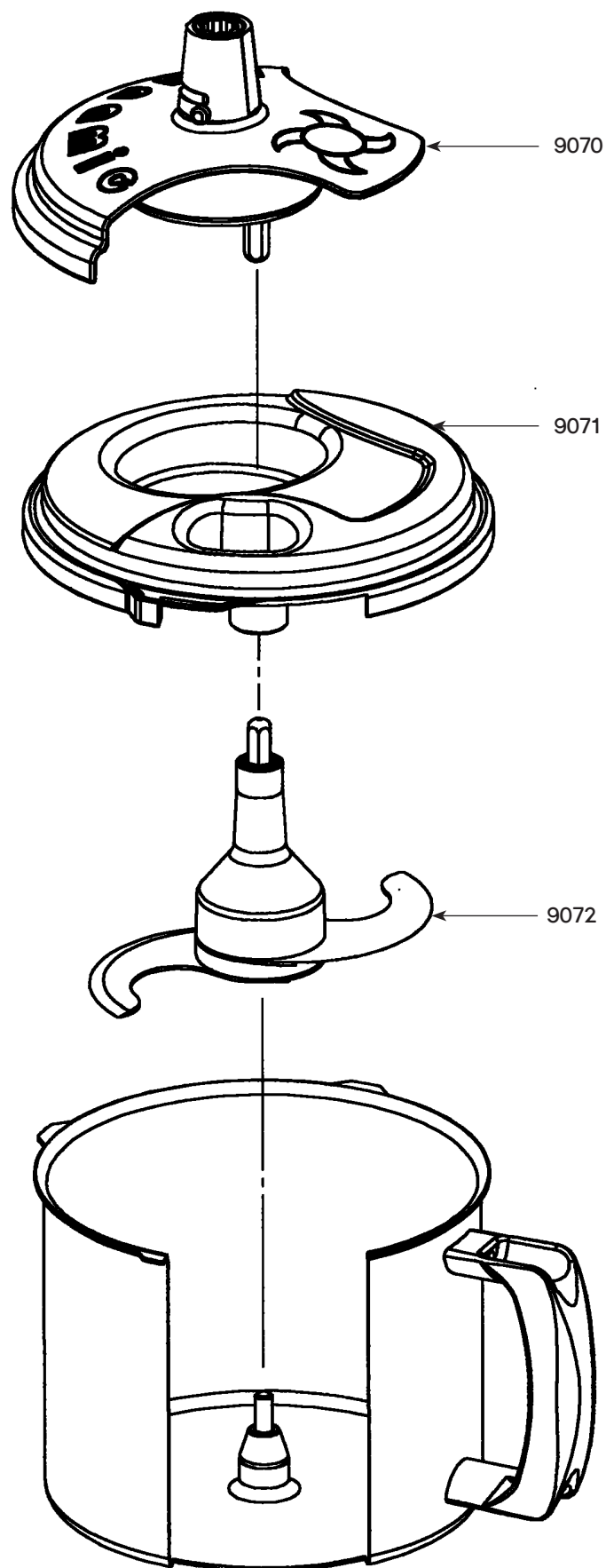


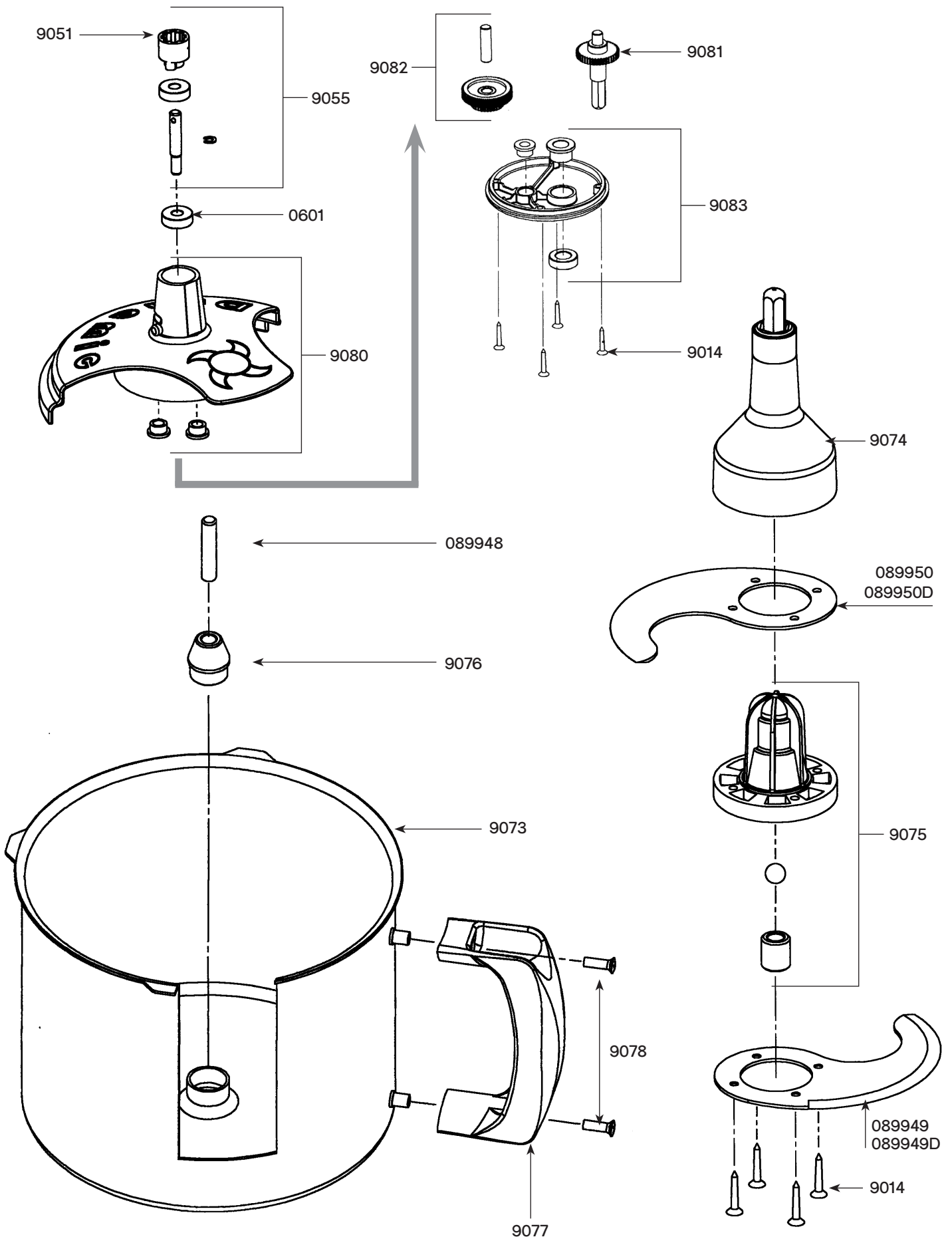
Parts list

Code

Lower grid 7 mm	3467
Lower grid 14 mm	3468
Lower grid 8,5 mm	3485
Lower grid 17 mm	3486
Lower grid 10 mm	3497
Handle assembly kit	3500
Chute	3501
Short cutter blade complete	3504.C
Kit cutter blade NG (axle + gear + blade)	3504.K
Short cutter blade complete - New generation	3504.NG
Knife plastic holder	3504.1
Knife plastic holder - New generation	3504.1NG
Bottom unit	3505
Top unit w/ seal	3506
Mounting support (unit)	3507
Foot	3508
Intermediate plate assembly	3509
Pusher 8,5 mm / 17 mm	3510
Blockage sheet and screws	3511
Suction cup (unit)	3512
Knife driving axle	3513
Knife driving axle - New generation	3513.NG
Cutting grid axle + bearings	3514.1
Self-lubricating ring 9/12/10	3515
Self-lubricating ring C12/17/12	3516
Self-lubricating ring 10/14/10	3517
Self-lubricating ring C14/18/14	3518
Double gear and pin	3519
Right gear and pin	3520
Ball bearing (unit)	3521
Hollow axle	3522
Self-lubricating ring (unit)	3523
Circlips 18	3524
Pin	3525
Crank handle and pin	3526
Cone shaped gear and pin	3527
Clips (3)	3528
Upper grid 7 mm	3567
Upper grid 14 mm	3568
Upper grid 8,5 mm	3585
Upper grid 17 mm	3586
Upper grid 10 mm	3597
Pusher 7 mm / 14 mm	3867
Pusher 10 mm	3897

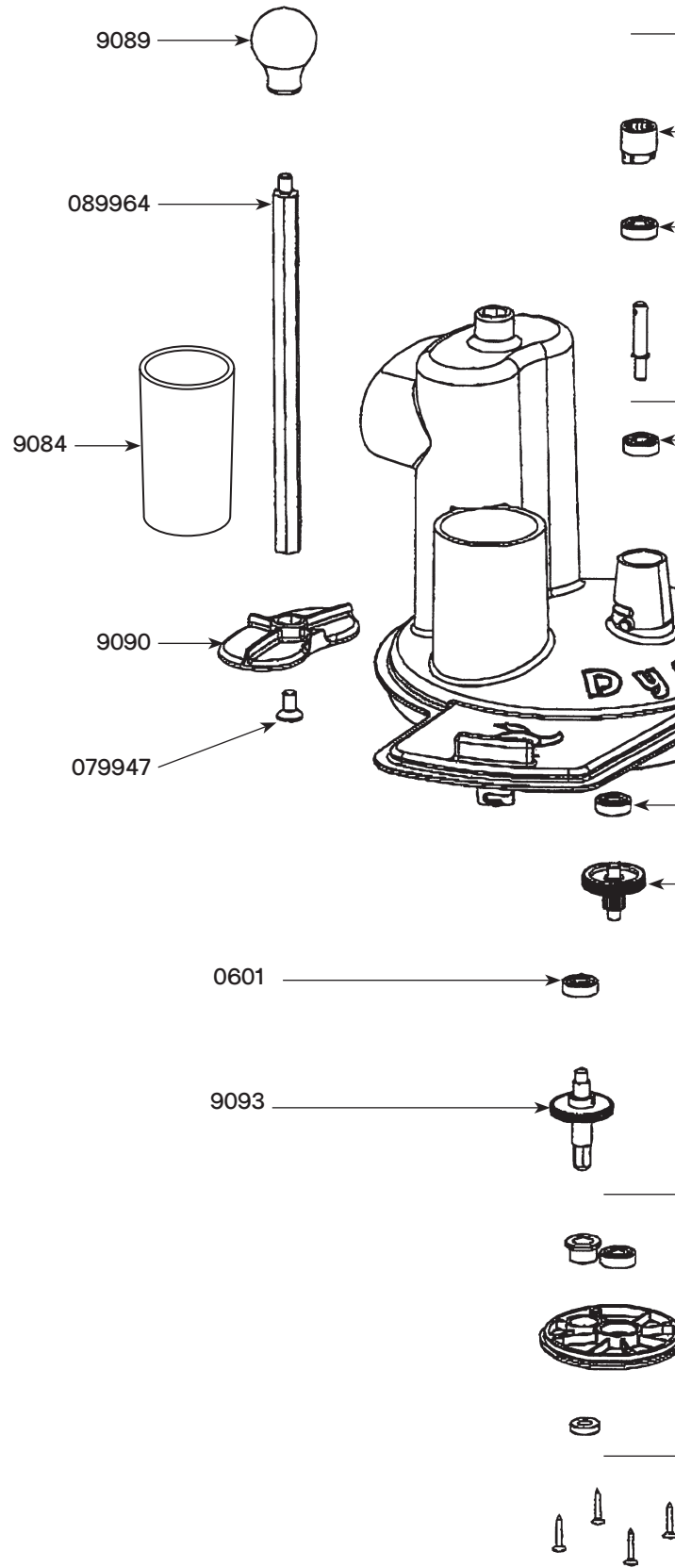
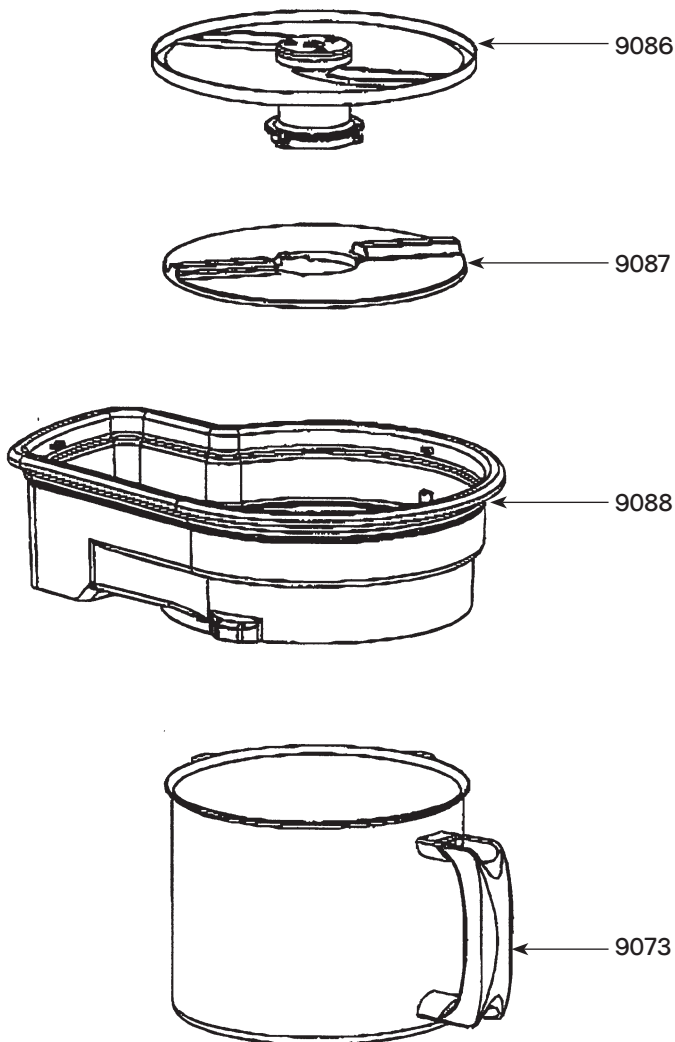
Parts list	Code
Ball bearing	0601
Base screws (4)	9014
Coupling + pin	9051
Upper shaft assembly	9055
Complete adaptator	9070
Cover	9071
Knife assembly	9072
Dynacutter Bowl	9073
Knife cone support	9074
Inner assembly + ball bearing	9075
Bowl pivot	9076
Handle	9077
Handle screws	9078
Adaptator + seal + sticker	9080
Output shaft w/ gear	9081
Middle gear + shaft	9082
Complete adaptator base	9083
Axle 8x40	089948
Inferior blade	089949
Inferior serrated blade	089949D
Superior blade	089950
Superior serrated blade	089950D



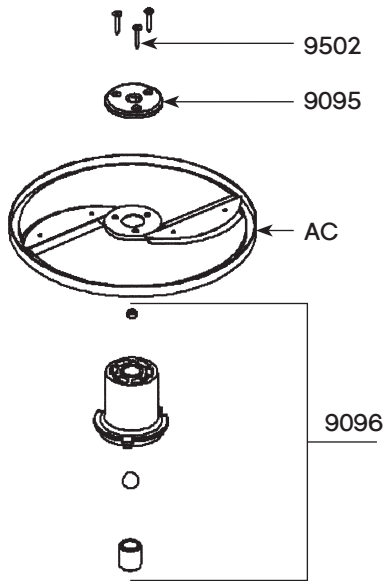


# MULTI-FUNCTION FOOD PREP SYSTEM - VS ATTACHMENT

Parts list	Code
Ball bearing	0601
Plate screws (4)	9014
Coupling casing + pin	9051
Equipped upper shaft	9055
Stainless steel bowl	9073
Round vegetable pusher	9084
Complete lid	9085
Slicing disc	9086
Ejector disc	9087
Base	9088
Round shaped handle	9089
Vegetable pusher	9090
Lid only	9091
Intermediate gear	9092
Output gear + shaft	9093
Plate + ball bearing	9094
M8 X 16 screws	079947
Hexagonal shaft	089964



## 9086 Slicing disc

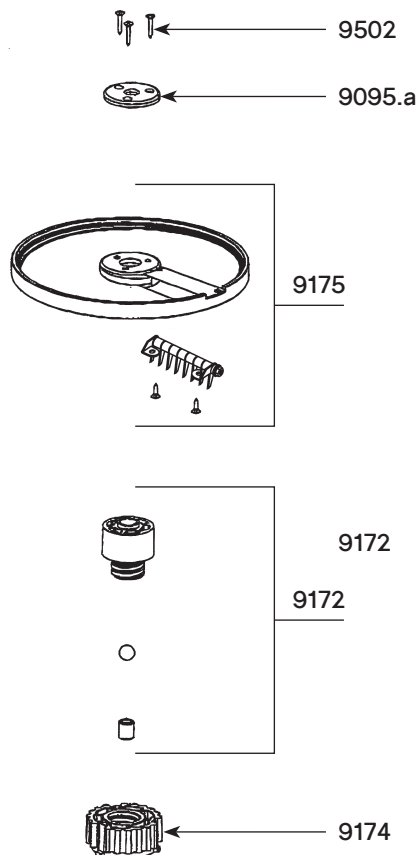


### Parts list

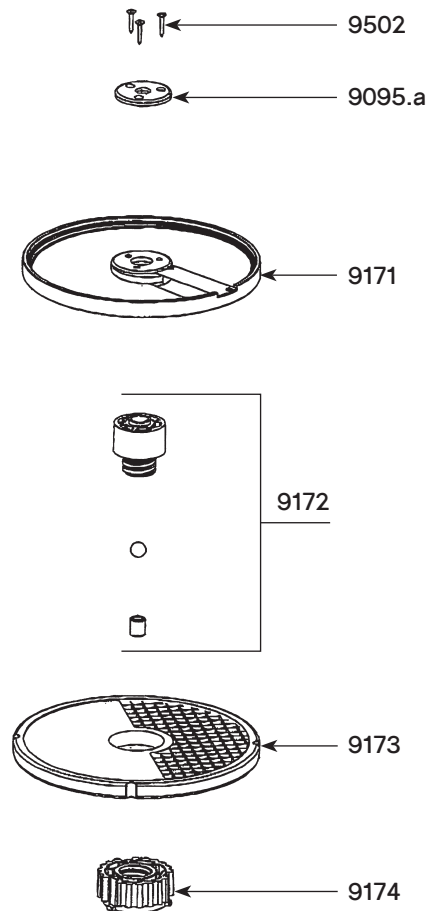
### Code

9086 Slicing disc	
Coupler screws	9502
Twelve-sided hub	9095
Axle for slicing or grating disc	9096
Disc for French Fries	
Screws for hexagonal hub	9502
Hexagonal hub	9095.a
French Fries disc	9175
Axle for slicing disc	9172
Nut	9174
9170 Disc for cubes	
Screws for hexagonal hub	9502
Hexagonal hub	9095.a
Slicing disc	9171
Axle for slicing disc	9172
Cubes disc	9173
Nut	9174

## Disc for French Fries



## 9170 Disc for cube



# International distribution

## DYNAMIC BRANCHES

### NORTH AMERICAN DISTRIBUTION (USA / Canada)

Tel. : +1-800-267-7794 - +1-514-956-0127  
Fax : +1-877-668-6623 - +1-514-956-8983  
e-mail : info@dynamicmixers.com

#### • USA :

1320 route 9 # 1352 - Champlain, NY - 12919  
web : dynamicmixersusa.com

#### • CANADA : Montreal, Quebec

3227 Boul. pitfield  
H4S-1H3

web : dynamicmixers.ca

### GERMANY

Eine starke Marke der Groupe NADIA GMBH  
Robert-Koch-Strasse 7 - 77694 Kehl  
Tel. +49 (0)7851 886 45-0  
Fax +49 (0)7851 886 45-32  
Kontakt: info@dynamic-professional.de  
www.dynamic-professional.de

### SATELITE OFFICE

TAHITI (Polynésie Française) :  
Tel (689) 70 49 64



Distributed by :

# Dynamic

*The Original!*

## Dynamic FRANCE & EXPORT

RCS 416 450 435 La Roche sur Yon - S.A.S au capital de 216.780 €  
518 rue Baekeland - BP57 - 85290 Mortagne / Sèvre  
Tel. +33 (0)2 51 63 02 72 - Fax : +33 (0)2 51 63 02 73  
e-mail : contact@dynamicmixers.com  
www.dynamicmixers.com

