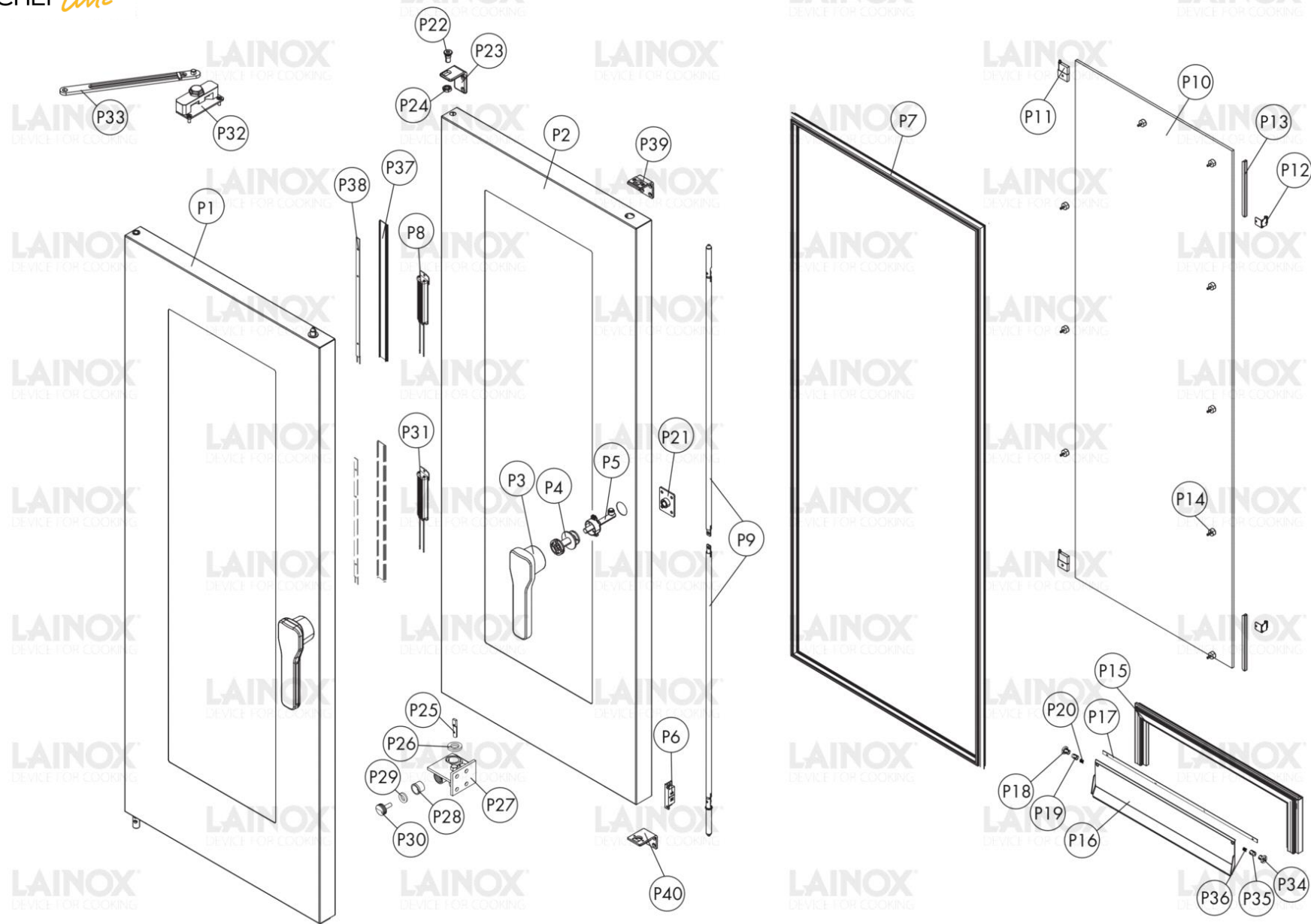


Warning! The exploded views refer to the general model

**General**

Pos.	Code	Previous code	Description	Notes	From:	Up to:
0001	LA75300070		PLATE [C] FAN D. 350 N/S101 2014			
0002	LAR58007490		BAFFLE PLATE FIXING PIN MARINE			
0003	LA21111400		BAFFLE PLATE N/S E202B			
0003	LA21111410		BAFFLE PLATE N/S E202B MARINE			
0004	LA75300070		PLATE [C] FAN D. 350 N/S101 2014			
0005	LA70048162		GUARNIZ.FACC.PORTA N2/S2 202 P.80100612			
0006	LAR21201460		FRONT TRAY HINGE L. N/S 202B			
0007	LA70010320		GASKET [C] V-SEAL VA-0060 NBR			6/30/2023
0007	LA70010850		SEAL OR 60 X 2,62		7/3/2023	
0008	LAR58007830		CAP [C] FASTDRY B.			6/30/2023
0008	LAR69181180		LID FAST-DRY		7/3/2023	
0009	LA70060250		SLEEVE D1=50/D2=53,5 L50		7/3/2023	
0010	LAR70030180		GRAPHITE GASKETS KIT [C] 80x50,3x3 SET 5 PIECES			
0011	LA21108950		FASTDRY COMPLETE 2022		7/3/2023	
0011	LAR65095000		MOTOR			6/30/2023
0012	LAR65320220		PROBE K L1,5M			
0013	LA21101660		FILTER [C] DRAIN D.60 B.			
0014	LA61020582		SCREW [C] TE A2 M6X60 UNI5737			
0015	LA58004000		SCREW [C] M12X1.5			
0016	LA58004010		WASHER [C] D. 30/12,5			
0017	LAR75401260		FAN [C] CHAMBER D. 350x120H B.			
0018	LA21400100		COVER [C] MOTOR GASKET FLANGE B.			
0019	LA70020080		GASKET [C] MOTOR SHAFT			
0020	LA58007640		FLANGE [C] MOTOR GASKET B.			
0021	LAR65045070		MOTOR [C] FAN 750W B.			
0022	LAR21115150		CABINET DRAIN			
0022	LAR70030190		GRAPHITE GASKETS KIT [C] 90x90x3 SET 5 PIECES			
0023	LA70060050		RUBBER SLEEVE [C] D. 60			
0024	LAR21100050		DRAIN BOX N/S B. 061/062/101/102			
0024	LAR21105740		DRAIN BOX UL N/S 06x/10xB	UL Version		
0025	LA69180610		PIPE [C] DRIP TRAY GN1/1			
0026	LA21107510		CONDENSATION PIPE 201/202		7/18/2022	
0026	LA70010490		SEAL O-RING 106 - min. 10 pcs or multiples		7/18/2022	
0026	LAR21116220		KIT TUBI CONDEN.L410 GOM-Y-UG-UG NFS	UL Version	7/18/2022	
0027	LA70060170		RUBBER SLEEVE [C] DI=70 B. 201/202			
0028	LAR65110210		SOLENOID VALVE [C] 2 WAYS 230V 50/60HZ OUT JG M D10	Mod. with boiler		

Pos.	Code	Previous code	Description	Notes	From:	Up to:
0028	LAR65110240		SOLENOID VALVE [C] 220V 50HZ 3 OUTLETS JG CONNECTION	Mod. without boiler		
0028	LAR65110710		2 WAY S.VALVE 220V 50HZ UL	Mod. with boiler UL Version		
0028	LAR65110730		SOLENOID VALVE [C] 220V/50HZ	Mod. without boiler UL Version		
0029	LAR58007530		KIT SPACER FOR TROLLEY 202			
0030	LA62090928		CONNECTION [C] 90° M/F D.10			
0031	LAR21200510		HUMIDIFIER EXTENSION N2/S2 20x			
0032	LA70700120		GUARN.UMIDIF.GRAF.ARM.44X24			
0033	LAR21200480		HUMIDIFIER CONNECTION PIPE N2/S2 20x			
0033	LAR21204160		DETERGENT CONNECTION PIPE N2/S2 20x			
0034	LAR65320220		PROBE K L1,5M			
0035	LA65241050		SPACER [C] SILICON L=9.5 MM			
0036	LA10457840		HANDLE [C] TROLLEY KS/021-040			
0037	LAR69090480		WHEEL WITH BRAKE D100			
0038	LAR69090470		CASTOR D100			
0039	LAR21400840		SIDE NA/SA 202			
0040	LAR21103530		PLINTH N/S 202B			
0040	LAR69110070		KIT PANELS MAGNETS N/S B.			11/25/2024
0041	LA61020582		SCREW [C] TE A2 M6X60 UNI5737			
0042	LA58004000		SCREW [C] M12X1.5			
0043	LA58004010		WASHER [C] D. 30/12,5			
0044	LAR75401260		FAN [C] CHAMBER D. 350x120H B.			
0045	LA21400100		COVER [C] MOTOR GASKET FLANGE B.			
0046	LA70020080		GASKET [C] MOTOR SHAFT			
0047	LA58007640		FLANGE [C] MOTOR GASKET B.			
0048	LAR65045070		MOTOR [C] FAN 750W B.			
0049	LAR21200510		HUMIDIFIER EXTENSION N2/S2 20x			
0050	LA70700120		GUARN.UMIDIF.GRAF.ARM.44X24			
0051	LAR21200480		HUMIDIFIER CONNECTION PIPE N2/S2 20x			
0052	LA62090928		CONNECTION [C] 90° M/F D.10			
0053	LAR21400840		SIDE NA/SA 202			
0054	LAR21103530		PLINTH N/S 202B			
0054	LAR69110070		KIT PANELS MAGNETS N/S B.			11/25/2024
0055	LA70030301		SEAL FASTDRY 2022		7/3/2023	
0056	LAR65090510		GEARED MOTOR FASTDRY 2022		7/3/2023	
0056	LAR65095000		MOTOR			6/30/2023

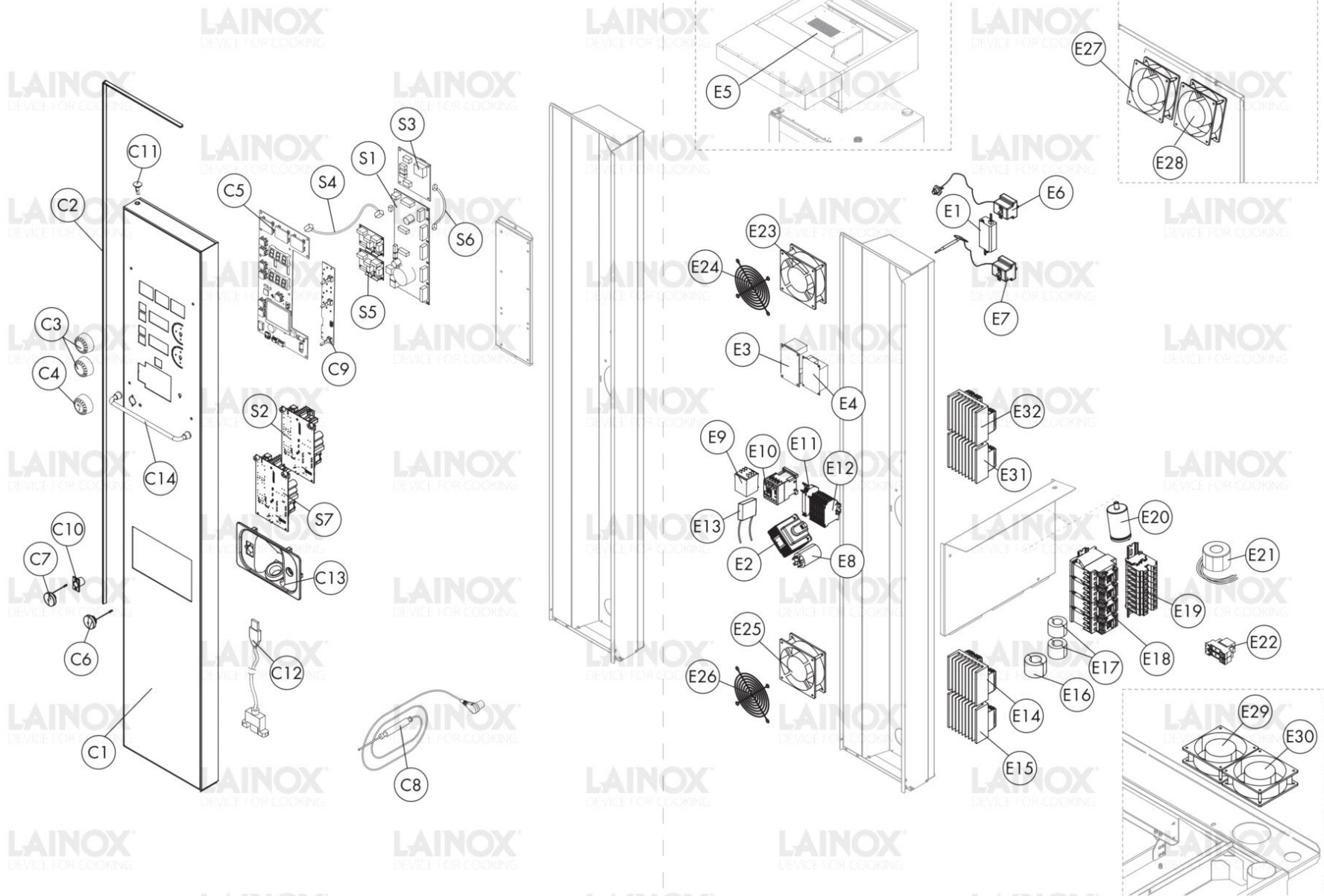


Warning! The exploded views refer to the general model

**Door**

Pos.	Code	Previous code	Description	Notes	From:	Up to:
00P1	LA21118020		COMPL DOOR LAINOX S5 202			
00P1	LA21118030		COMPL DOOR NEUTRAL S5 202			
00P2	LAR21201480		DOOR [C] EXTERNAL B. 202 NO LOGO			
00P2	LAR21202340		DOOR [C] EXTERNAL B. 202 LAINOX			
00P3	LA17110810		HANDLE LAINOX N2/S2/P			
00P3	LA69011260		HANDLE OEM NA/SA/SY			
00P4	LAR21202310		SHAFT [C] DOOR HANDLE B. 201/202			
00P5	LAR21105850		HOOK [C] DOOR B. 201/202			
00P5	LAR21202300		STUD [C] DOOR HANDLE B. 201/202			
00P6	LAR65265100		MICROSWITCH [C] DOOR			
00P7	LAR80100101		PROFILE 5M			
00P8	LA65270590		LAMP [C] LED L=130MM 12V DC			10/11/2024
00P9	LA11207670		ROD [C] 201/202			
0P10	LAR71203060B		DOOR GLASS [C] INNER B. 202			
0P11	LAR58001760K		DOOR GLASS HINGE			
0P12	LAR17406231		GLASS HOLDER (2x)			
0P13	LA11411860		PROTECTION [C] DOOR GLASS			
0P14	LAR70050180		SPACER [C] GLASS PLATE 15X8 (min.10 pcs or multiples)			
0P15	LA70048090		GASKET [C] TROLLEY N/S/L 202			
0P16	LAR11437930		CLOSING PLATE [C]			
0P17	LA80100910		PROFILE [C] FLAP			
0P18	LAR58006861		CLOSING PLATE ROTATION PIVOT [C]			
0P19	LA58006910		FULCRUM [C] DOOR STRIP			
0P20	LAR65491250		SPRING [C] CLOSING PLATE			
0P21	LA03200971		FLANGE [C] REAR BUSH			
0P22	LA58002150		UPPER PIN [C] HINGE M/106-220			
0P23	LA11401410		HINGE [C] UPPER DOOR SR.2000 .			
0P24	LA58004050		NUT [C]			
0P25	LAR58002540		KEY [C]			
0P26	LA58002570		WASHER [C] 15X3			
0P27	LAR11205390		HINGE [C] LOWER 201-202			
0P27	LAR21202650		HINGE [C] LOWER DOOR B. 201/202 LLG			
0P28	LA58002550		GUIDE SHOE [C]			
0P29	LA61620091		SPRING [C] D.14/6,4X0,8 C70 - min. 10 pcs or multiples			
0P30	LA58002560		CATCH [C] DOOR			

Pos.	Code	Previous code	Description	Notes	From:	Up to:
0P31	LA65270590		LAMP [C] LED L=130MM 12V DC			
0P32	LAR58008200		KIT FERMO SUP.GUIDA SCORREV.PORTA N2/S2			
0P33	LAR58008190		DOOR STOPPER KIT N2/S2 MARINE			
0P34	LAR58006861		CLOSING PLATE ROTATION PIVOT [C]			
0P35	LA58006910		FULCRUM [C] DOOR STRIP			
0P36	LAR65491250		SPRING [C] CLOSING PLATE			
0P37	LAR21430420		GLASS HOLDER N5/S5		10/14/2024	
0P37	LAR71210030		GLASS LED N5/S5 10x		10/14/2024	
0P38	LAR65270600		LAMP LED L=350MM WITH INSTALLING KIT		10/14/2024	
0P39	LAR11411520		FLANGE [C] M-V/201-202			
0P40	LAR11205400		FLANGE [C]			



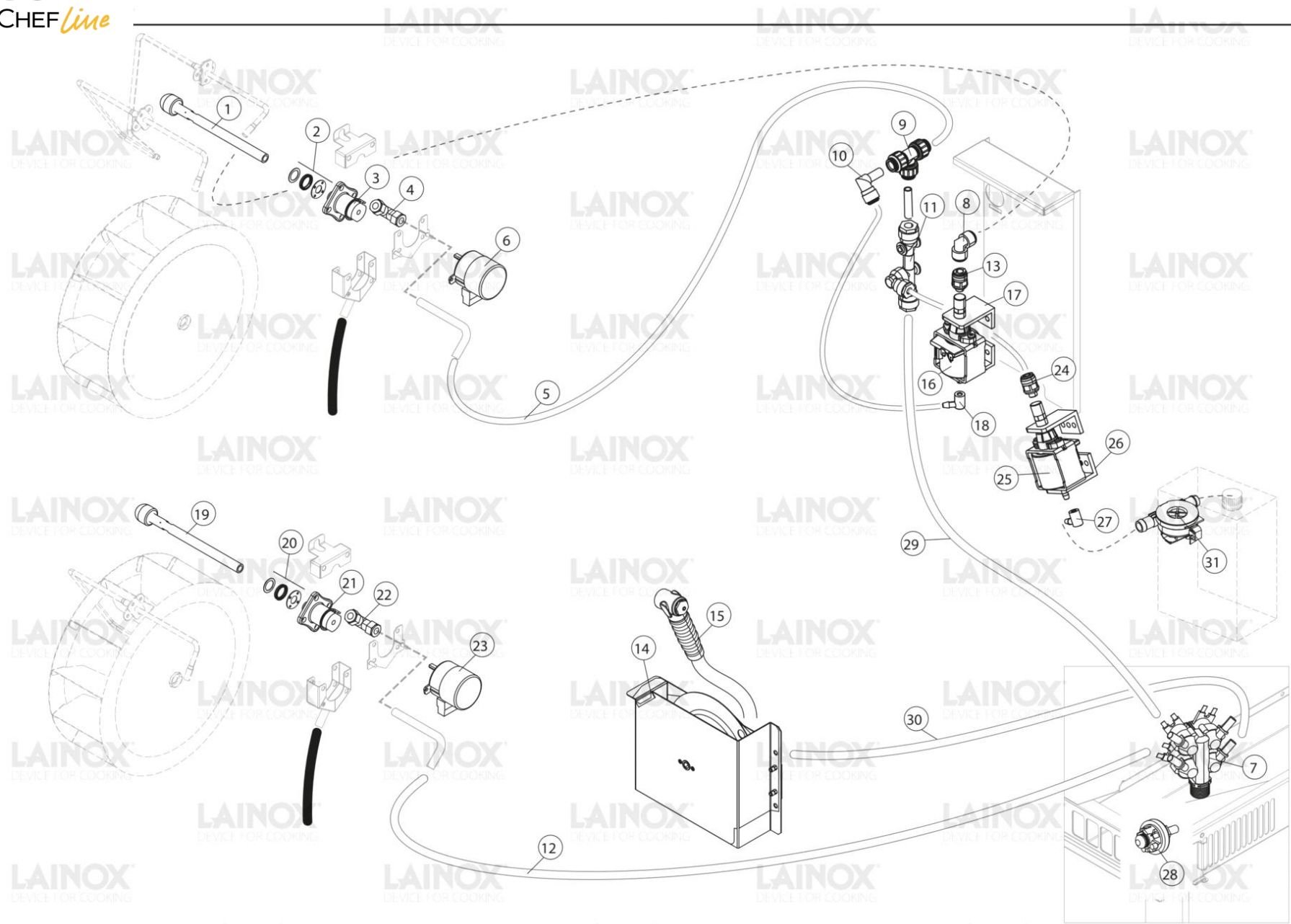
Warning! The exploded views refer to the general model

**Control panel**

Pos.	Code	Previous code	Description	Notes	From:	Up to:
00C1	LAR21201550FS		FRONT PANEL [C] SAPIENS B. 201/202 FRANSTAL			
00C1	LAR21201550LX		FRONT PANEL [C] SAPIENS B. 201/202 LAINOX			
00C2	LAR80100101		PROFILE 5M			
00C3	LA69030380		KNOB [C] D. 46			
00C4	LA69030400		KNOB [C] D. 46 W/LOGO			
00C5	LA65303400		BOARD [C] DISPLAY VERT.SAPIENS B.			
00C6	LA65321310		CAP [C] USB SOCKET N/S			
00C7	LA65321331		CAP [C] PROBE SOCKET 2020			
00C8	LA65321501		CORE PROBE W. CONNECTOR K4P			
00C9	LA65303010		BOARD [C] ENCODER VERTICAL S R.			
00E1	LA65187281		POWER SUPPLY 12V NA/SA+NTC			
00E2	LA65180430		TRANSFORMER [C] 40VA 0-220-240/12V			
00E5	LA65060660		MOTOVENT.ROT.EST.C/COCLEA A304 YMV0010	(BKC202)		
00E5	LA65600341		HOOD X ELECTRICAL BOX H200	(BKC202)		
00E6	LA65070350		THERMOSTAT [C] 360°C N/S/L			
00E6	LA65070370		SAFETY THERMOSTAT 360°C UL	UL Version		
00E6	LA70700210		SEAL F2			
00E7	LA65070380		SAFETY THERMOSTAT 150°C UL	UL Version		
00E7	LAR65070081		THERMOSTAT [C] BOILER N/S/L			
00E8	LA65280240		FILTER [C] ELECTROMECHANICAL			
00E9	LA65170100		RELAY [C]			
00S1	LA65302980		BOARD [C] CONTROL S R.			
00S2	LA65141053		INVERTER N2/S2			
00S3	LA65302260		BOARD [C] EXP. BOILER S			
00S4	LA65303230		CABLE [C] COLLEG.BASE-TASTIERA L=600			
00S5	LA65303101		BOARD [C] EXP. SSR SAPIENS B.			
00S7	LA65141053		INVERTER N2/S2			
00S8	LA65302680		BOARD [C] BUZZER S			
0C10	LA65321540		CORE PROBE CONNECTOR			
0C11	LA69130670		CAP [C] D.12			
0C12	LA65302600		CABLE [C] BOARD/USB OUTLET L. 850			
0C13	LA14403110		PLATE [C] SHOWER HEAD N/S201			
0C14	LAR14445350		DISPLAY SAFETY GUARD			
0E10	LA65140900		CONTACTOR [C] 3RT2016-1AP02			
0E11	LA65210050		FUSE HOLDER [C] 6,3X32			
0E12	LA65210020		FUSE HOLDER [C] 5X20			



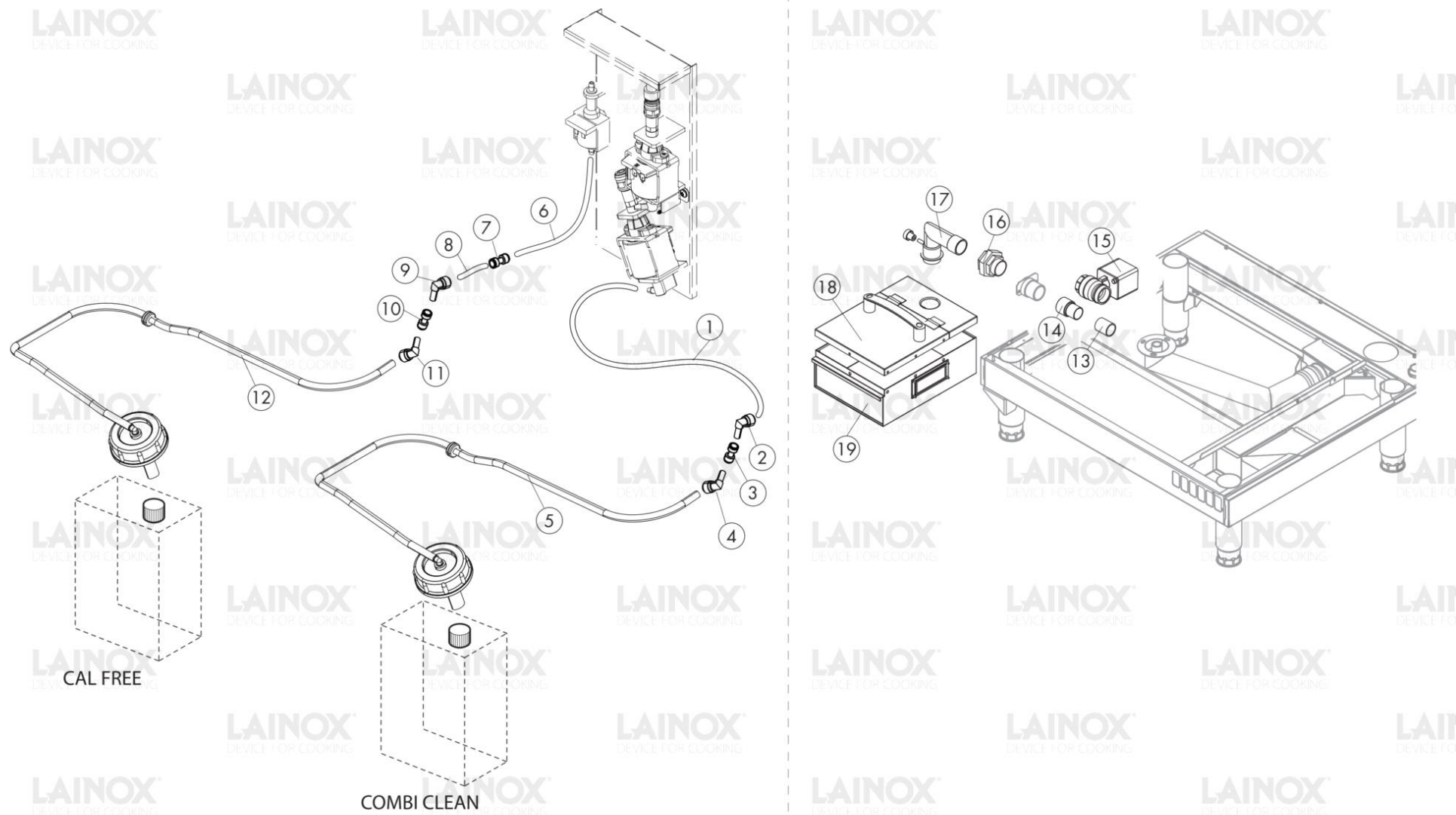
Pos.	Code	Previous code	Description	Notes	From:	Up to:
0E13	LA65190220		CAPACITOR [C] 0,47 $\mu$ F			
0E14	LAR65170240		KIT 2xSSR HEATEXC. CABLING	With boiler		
0E14	LAR65170250		KIT 1xSSR HEATEXC. CABLING	Without boiler		
0E15	LAR65170240		KIT 2xSSR HEATEXC. CABLING	With boiler		
0E15	LAR65170250		KIT 1xSSR HEATEXC. CABLING	Without boiler		
0E16	LA65280520		TOROIDAL FERRITE [C] FT63			
0E17	LA65280480		FERRITE [C]			
0E18	LA65140910		CONTACTOR [C]			
0E18	LA65140910		CONTACTOR [C]			
0E18	LA65140920		CONTACTOR [C] 3RT2035-1AL20	UL Version		
0E18	LA65140920		CONTACTOR [C] 3RT2035-1AL20	UL Version		
0E18	LA65210110		FUSE HOLDER BCC3X38	UL Version		
0E18	LA65210110		FUSE HOLDER BCC3X38	UL Version		
0E18	LA65210120		FUSE HOLDER [C] T60060-3SR	UL Version		
0E18	LA65210120		FUSE HOLDER [C] T60060-3SR	UL Version		
0E19	LA65220310		TERMINAL BLOCK [C] 6P+N+G			
0E20	LA65280270		FILTER [C] FLCF566000 3,3 $\mu$ F 0,22nF 1W 475VAC			
0E21	LA65180820		TRANSFORMER [C] 440-400/230V			
0E22	LAR65170050		RELAY 240V 8/5 A	NPK/BPK/SN		
0E23	LA65060050		FAN [C] D. 120			
0E24	LA75300020		GRID [C] FAN			
0E25	LA65060050		FAN [C] D. 120			
0E26	LA75300020		GRID [C] FAN			
0E27	LA65060050		FAN [C] D. 120			
0E28	LA65060050		FAN [C] D. 120			
0E29	LA65060050		FAN [C] D. 120			
0E30	LA65060050		FAN [C] D. 120			
0E31	LAR65170240		KIT 2xSSR HEATEXC. CABLING	With boiler		
0E31	LAR65170250		KIT 1xSSR HEATEXC. CABLING	Without boiler		
0E32	LAR65170240		KIT 2xSSR HEATEXC. CABLING	With boiler		
0E32	LAR65170250		KIT 1xSSR HEATEXC. CABLING	Without boiler		



Warning! The exploded views refer to the general model

**Washing**

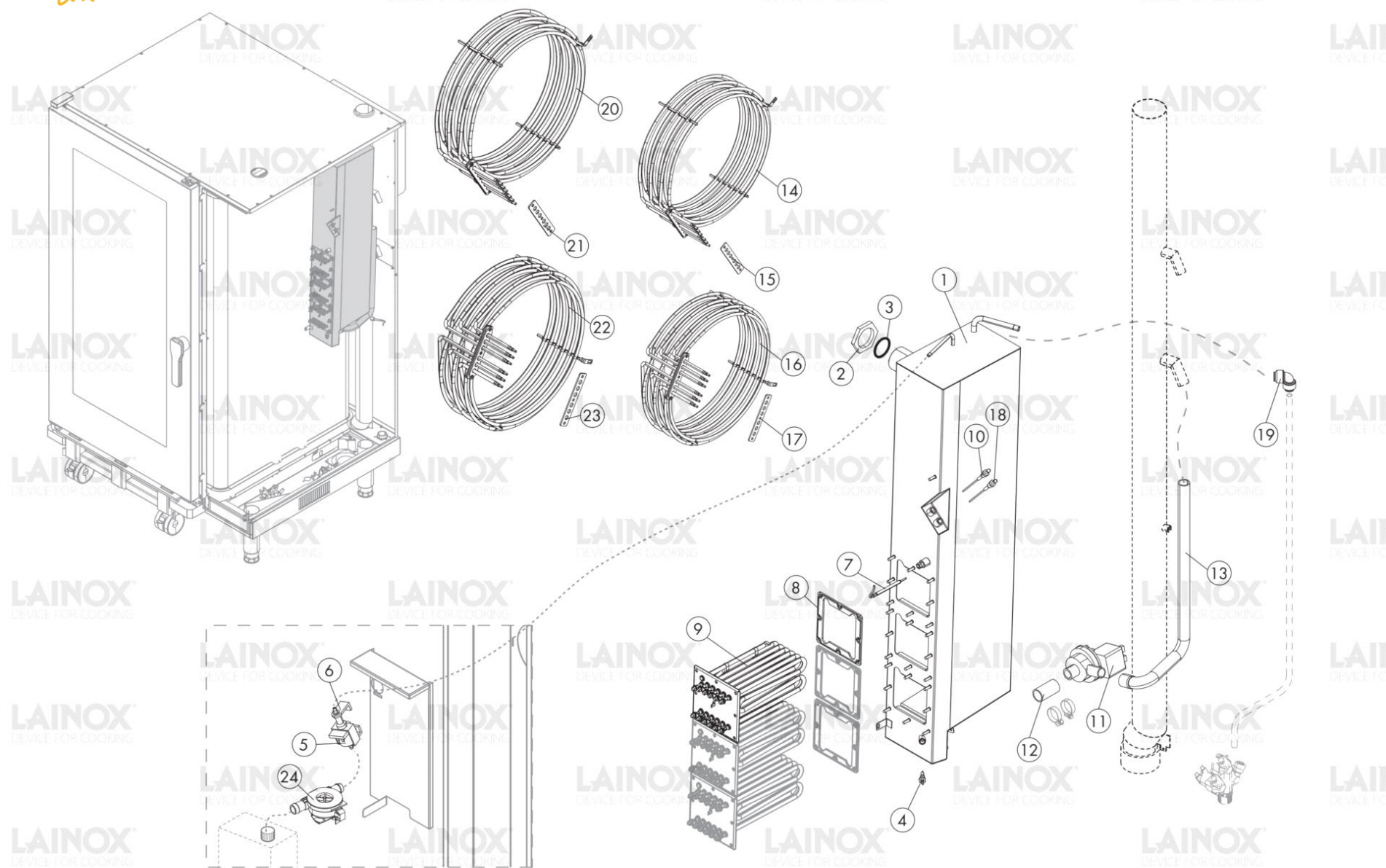
Pos.	Code	Previous code	Description	Notes	From:	Up to:
0001	LAR58007080		WASHING HEAD [C] L=160 (1/1)			
0002	LAR70045120		GASKET [C] MOB WASHING			
0003	LAR58007020		FLANGE [C] MOB WASHING			
0004	LA62090663		CONNECTION [C] 90° D.10-1/4			
0005	LA21108330		WASHING ACCUMULATION PIPE N/S 202			
0006	LAR65090260		GEARED MOTOR WASHING			
0007	LAR65110270		SOLENOID VALVE [C] 4 WAYS 230V 50/60HZ OUT JG M D10			
0007	LAR65110740		ELECTRO VALVE [C] 220V/50HZ 4 WAYS 3P+1D J.G. UL	UL Version		
0008	LA62090498		CONNECTION [C] 90° F/F D.8			
0009	LA62091018		CONNECTION [C] T F/F/F JG 10 SPEEDFIT			
0010	LA62091038		CONNECTION [C] JG 90° F/M D.10-8			
0011	LA62090888		CONNECTION [C] JG 3WAY WASHING			
0012	LA21108400		TUBE PEX-B 10MM L.680MM			
0013	LA62091028		CONNECTION [C] JG 8-1/8			
0014	LA62200180		ROLLGUIDE [C] B.			
0015	LA62200220		HANDLE[C] SHOWER			
0016	LAR65110600		PUMP [C] PULSE BIG 230V 50HZ			
0016	LAR65110930		PUMP COMBICLEAN 60HZ UL	60Hz / UL Version		
0017	LA65110610		HOLDER [C] PUMP			
0018	LA62090980		CONNECTION [C] POMPA 90°			
0019	LAR58007080		WASHING HEAD [C] L=160 (1/1)			
0020	LAR70045120		GASKET [C] MOB WASHING			
0021	LAR58007020		FLANGE [C] MOB WASHING			
0022	LA62090663		CONNECTION [C] 90° D.10-1/4			
0023	LAR65090260		GEARED MOTOR WASHING			
0024	LA62091028		CONNECTION [C] JG 8-1/8			
0025	LAR65110600		PUMP [C] PULSE BIG 230V 50HZ			
0025	LAR65110930		PUMP COMBICLEAN 60HZ UL	60Hz / UL Version		
0026	LA65110610		HOLDER [C] PUMP			
0027	LA62090980		CONNECTION [C] POMPA 90°			
0028	LA14170880		PRE-A. WATER PRESSURE SWITCH	Mod. without boiler		



Warning! The exploded views refer to the general model

**Tanks**

Pos.	Code	Previous code	Description	Notes	From:	Up to:
0001	LAR80150020A		TRANSPARENT TUBE D.8			
0002	LA62090678		CONNECTION [C] JG 90° M0,8 F0,8			
0003	LA62090688		CONNECTION [C] RING NUT D. 8			
0004	LA62090678		CONNECTION [C] JG 90° M0,8 F0,8			
0005	LA14171490		CAP [C] YELLOW DETERGENT DL010			
0006	LAR80150020A		TRANSPARENT TUBE D.8			
0007	LA62090798		CONNECTION [C] JG STRAIGHT F/F D.8-6			
0008	LA80150030	LAR80150030	PIPE [C] D. 6X4			
0009	LA62090808		CONNECTION [C] JG 90° M0,6 F0,6			
0010	LA62090828		CONNECTION [C] RING NUT D. 6			
0011	LA62090808		CONNECTION [C] JG 90° M0,6 F0,6			
0012	LA14171500		CAP [C] GREEN CALOUT CF010			
0013	LA70060010		SILICONE COUPLING [C] D. 30	KPG202		
0014	LA21220850		CONNECTOR BGRT 2/1	KPG202		
0015	LA65110900		VALV.SFERA MOT.11/4 S3041N07+R3505P00	KPG202		
0016	LA62080123		GIUNTO 3 PZ. FF 11/4 GEN.FITTINGS NICH.	KPG202		
0017	LAR21207470		TELESCOPIC PIPE N2/S2 202 BGRT	KPG202		
0018	LAR21207560		GREASE TANK COVER N2/S2 BGRT E	KPG202		
0019	LAR21207570		TANK N2/S2 BGRT E.	KPG202		



Warning! The exploded views refer to the general model

**Heating**

Pos.	Code	Previous code	Description	Notes	From:	Up to:
0001	LAR21201660N		BOILER [C] B. E202			
0002	LA58006900		NUT [C] INOX 11/2			
0003	LA70700170		GUARN.GRAF.ARM.ØE64 ØI48,5			
0004	LA65324860		LEVEL PROBE [C] L=40MM			
0004	LAR65320050		ISOLATOR (6x)			
0005	LAR65110620		PUMP [C] PULSE SMALL 230V 50HZ			
0006	LA65110630		HOLDER [C] PUMP			
0007	LAR65320220		PROBE K L1,5M			
0008	LA70045020		GASKET [C] BOILER HEATING ELEMENTS B.			
0009	LAR65020440		HEATING ELEMENT [C] BOILER 18000W230V			
0009	LAR65020460		BOILER HEATING EL. N2/S2 18KW 208V	UL Version 208V (USA-CAN)		
0009	LAR65020480		BOILER HEATING EL. N2/S2 18KW 254V	Marine Version 254V		
0009	LAR65020500		BOILER HEATING EL. N2/S2 18KW 277V	UL Version 277V (USA-CAN 3AC 480V)		
0010	LA65320040		LEVEL PROBE [C] L=220MM			
0010	LAR65320050		ISOLATOR (6x)			
0011	LAR65110950		PUMP [C] SYNCR. 220V50/60HZ			
0013	LA69180760		PIPE [C] BOILER DRAIN B. G101/102			
0014	LAR65012272		HEATING ELEMENT [C] CHAMBER 18000W230V	Int.		
0014	LAR65012312		CABINET HEATING EL. INT N2/S2 18KW 208V	UL Version 208V (USA-CAN)		
0014	LAR65012372		CABINET HEATING EL. INT N2/S2 18KW 254V	Marine Version 254V		
0014	LAR65012412		CABINET HEATING EL. INT N2/S2 18KW 277V	UL Version 277V (USA-CAN 3AC 480V)		
0015	LA14445840		FLANGE 2xM5+D6			
0015	LA70030200		GASKET [C] GRAPHITE HEATING ELEMENTS			
0016	LAR65012272		HEATING ELEMENT [C] CHAMBER 18000W230V	Int.		
0016	LAR65012312		CABINET HEATING EL. INT N2/S2 18KW 208V	UL Version 208V (USA-CAN)		
0016	LAR65012372		CABINET HEATING EL. INT N2/S2 18KW 254V	Marine Version 254V		
0016	LAR65012412		CABINET HEATING EL. INT N2/S2 18KW 277V	UL Version 277V (USA-CAN 3AC 480V)		
0017	LA14445840		FLANGE 2xM5+D6			
0017	LA70030200		GASKET [C] GRAPHITE HEATING ELEMENTS			
0018	LA65320040		LEVEL PROBE [C] L=220MM			
0018	LAR65320050		ISOLATOR (6x)			
0019	LA62090918		CONNECTION [C] 90° F/F D.10			
0020	LAR65012302		HEATING ELEMENT [C] CHAMBER 18000W230V	Ext.		

Pos.	Code	Previous code	Description	Notes	From:	Up to:
0020	LAR65012332		CABINET HEATING EL. EXT N2/S2 18KW 208V	UL Version 208V (USA-CAN)		
0020	LAR65012382		CABINET HEATING EL. EXT N2/S2 18KW 254V	Marine Version 254V		
0020	LAR65012422		CABINET HEATING EL. EXT N2/S2 18KW 277V	UL Version 277V (USA-CAN 3AC 480V)		
0021	LA14445840		FLANGE 2xM5+D6			
0021	LA70030200		GASKET [C] GRAPHITE HEATING ELEMENTS			
0022	LAR65012302		HEATING ELEMENT [C] CHAMBER 18000W230V	Ext.		
0022	LAR65012332		CABINET HEATING EL. EXT N2/S2 18KW 208V	UL Version 208V (USA-CAN)		
0022	LAR65012382		CABINET HEATING EL. EXT N2/S2 18KW 254V	Marine Version 254V		
0022	LAR65012422		CABINET HEATING EL. EXT N2/S2 18KW 277V	UL Version 277V (USA-CAN 3AC 480V)		
0023	LA14445840		FLANGE 2xM5+D6			
0023	LA70030200		GASKET [C] GRAPHITE HEATING ELEMENTS			