

# Apach

## COOK *line*

Catalogo parti di ricambio valido  
dalla matricola 0000001 (31.10.2006) ad oggi (10.03.2023)

Catalogue pieces detachees  
valable à partir du numero de Série n. 0000001 (31.10.2006) jusqu'à aujourd'hui  
(10.03.2023)

Ersatzteilkatalog  
gültig ab Serien-Nr. 0000001 (31.10.2006) bis heute (10.03.2023)

Spare parts catalogue  
valid from serial no. 0000001 (31.10.2006) up today (10.03.2023)

Catálogo de peças de reposição  
válido do número de série 0000001 (31.10.2006) até hoje (10.03.2023)

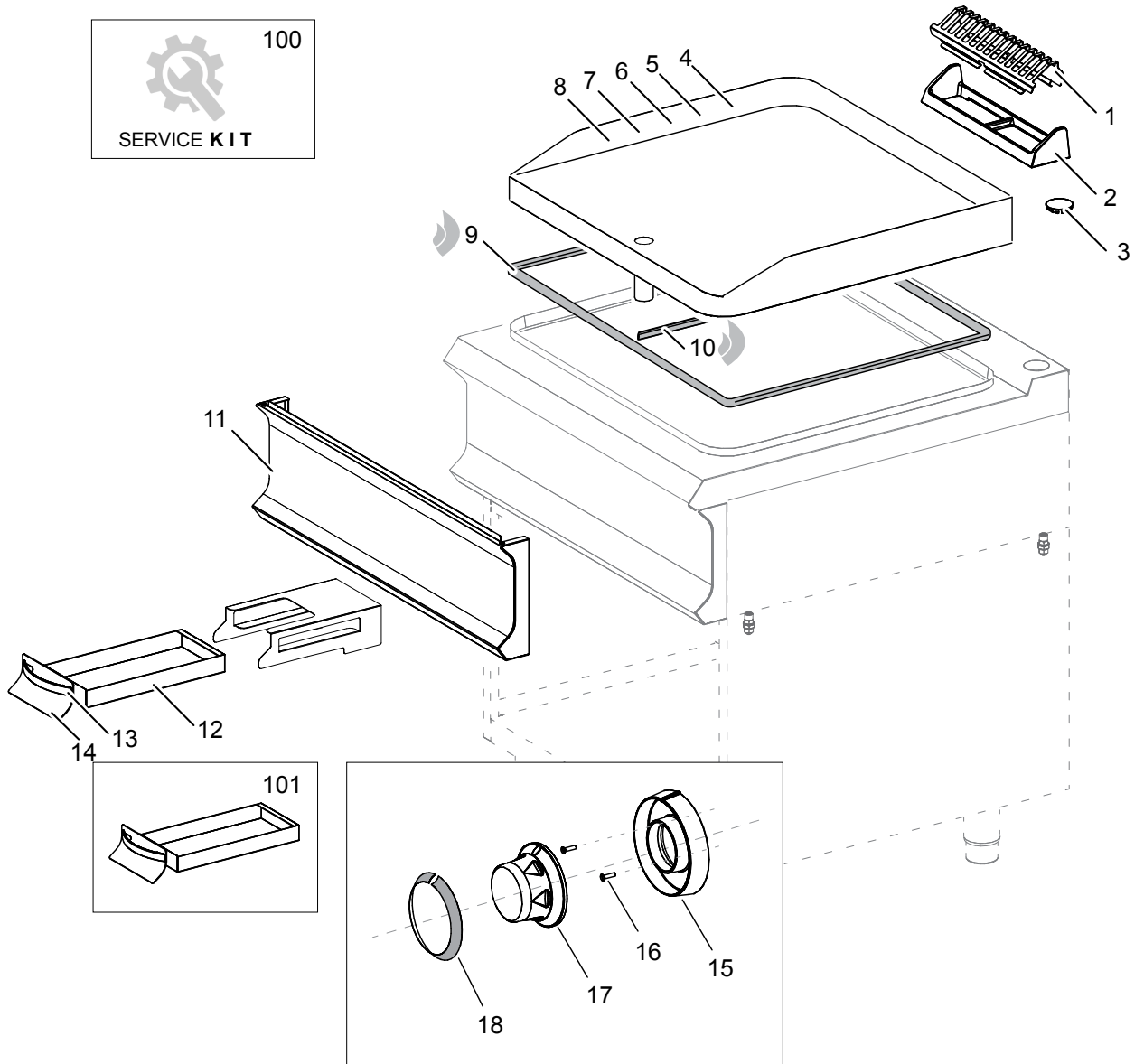
Le informazioni sono considerate non vincolanti. Le immagini rappresentate sono puramente indicative. Il produttore si riserva il diritto di apportare modifiche in qualsiasi momento senza preavviso.

Les informations données ne sont pas contraignantes. Les images montrées sont à titre indicatif. Le producteur se réserve le droit d'apporter des modifications sans préavis.

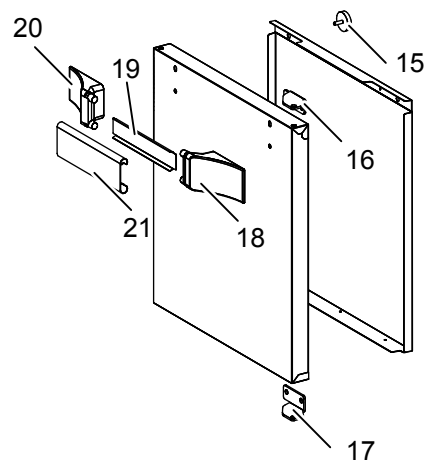
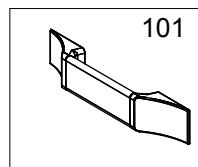
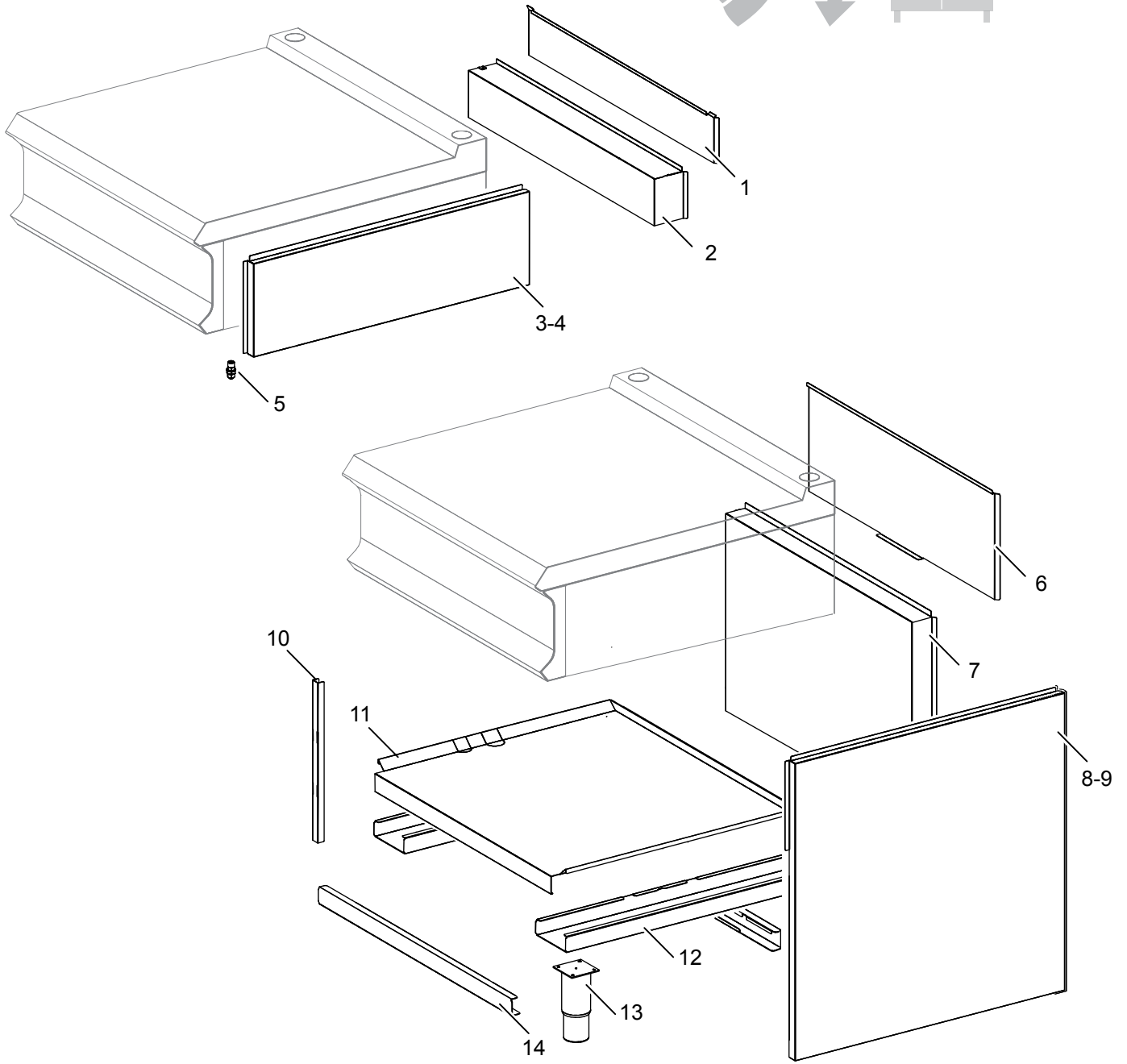
Die im vorliegenden Dokument aufgeführten Informationen und Bilder sind unverbindlich. Der Hersteller behält sich das Recht vor, jederzeit ohne vorherige Ankündigung Änderungen vorzunehmen

Info and drawing could be slightly different from reality and they cannot be considered as compelling. Manufacturer can modify info anytime without forewarning.

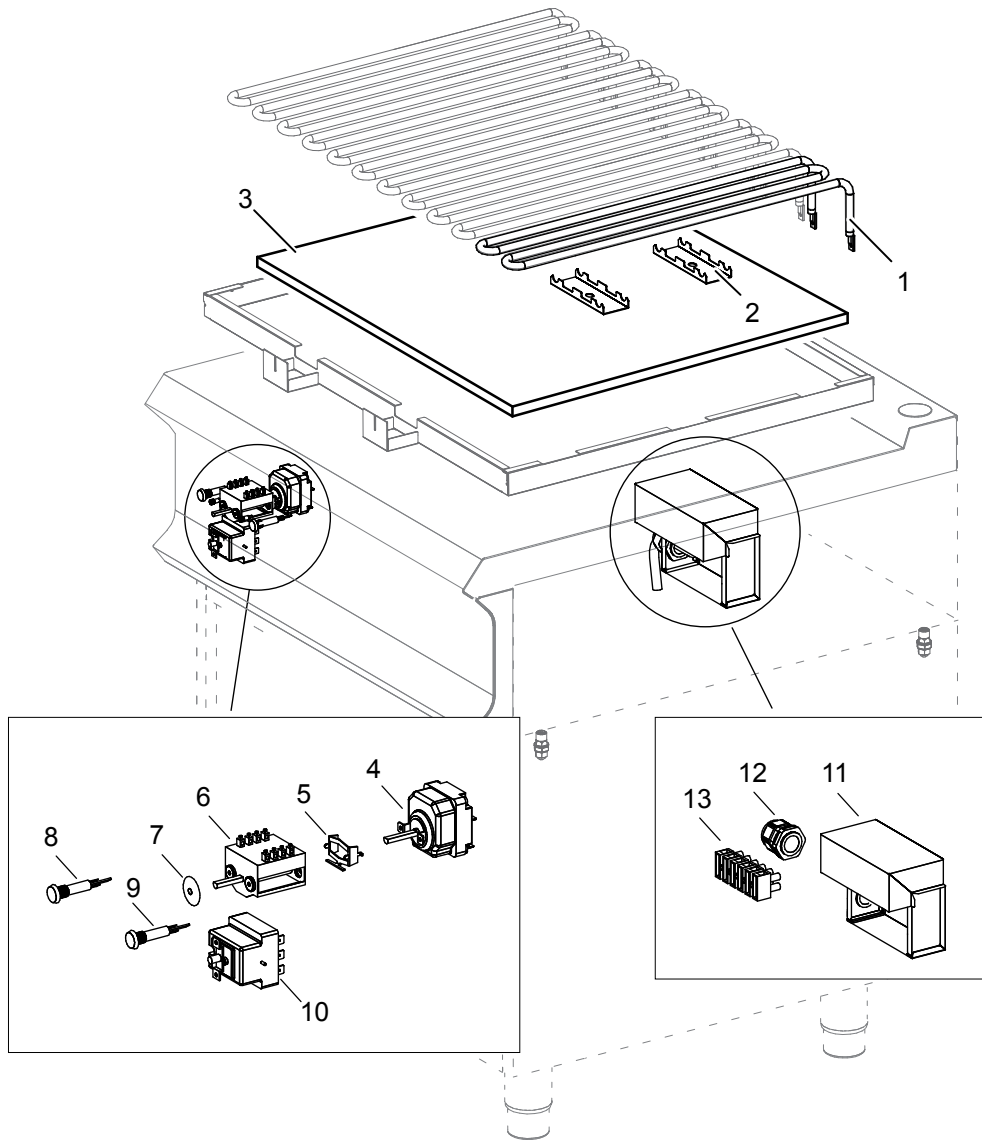
As Informações e desenhoS podem estar um pouco diferente da realidade e são puramente indicativas. O fabricante pode modificar estas informações a qualquer momento sem aviso prévio.



| <b>Nr.</b> | <b>Code</b> | <b>Title</b>                    | <b>Recommended</b> |
|------------|-------------|---------------------------------|--------------------|
| 1.         | 202046      | CHIMNEY GRILL                   |                    |
| 4.         | 201903      | SMOOTH HOB                      |                    |
| 5.         | 201905      | SMOOTH CHROME HOB               |                    |
| 6.         | 201911      | RIBBED HOB                      |                    |
| 7.         | 201907      | 1/2RIBBED 1/2SMOOTH HOB         |                    |
| 8.         | 201909      | 1/2RIBBED 1/2SMOOTH CHROME HOB  |                    |
| 11.        | 202297      | FRONT PANEL                     |                    |
| 12.        | 203182      | OIL DRAWER                      |                    |
| 13.        | 160270      | HANDLE SATIN NICKEL             |                    |
| 14.        | 203869      | OIL DRAWER EXTERNAL PANEL       |                    |
| 17.        | 202200      | COMMUTATOR KNOB                 |                    |
| 18.        | 200490      | THERMOSTAT RING                 |                    |
| 100.       | ECS7015     | RECOMMENDED PARTS FOR FTBE74-77 |                    |
| 101.       | RIC0005135  | OIL DRAWER COMPLETE             |                    |



| <b>Nr.</b> | <b>Code</b> | <b>Title</b>                   | <b>Recommended</b> |
|------------|-------------|--------------------------------|--------------------|
| 6.         | 200042      | <i>BACK SIDE TALL</i>          |                    |
| 7.         | 200041      | <i>BACK SIDE INFERIOR</i>      |                    |
| 8.         | 200031      | <i>LATERAL SIDE RIGHT</i>      |                    |
| 9.         | 200032      | <i>LATERAL SIDE LEFT</i>       |                    |
| 11.        | 200040      | <i>REMOVABLE LOWER FLOOR</i>   |                    |
| 12.        | 200030      | <i>CROSS FEET</i>              |                    |
| 13.        | RTCU700277  | <i>FOOT</i>                    |                    |
| 14.        | 200039      | <i>FRONT / BACK CROSSPIECE</i> |                    |



| <b>Nr.</b> | <b>Code</b> | <b>Title</b>                      | <b>Recommended</b> |
|------------|-------------|-----------------------------------|--------------------|
| 1.         | RTCU700278  | HEATING ELEMENT 1,35KW            | ✓                  |
| 2.         | PACU700683  | RESISTANCE FIXING BRACKET         |                    |
| 3.         | 165104      | INSULATING PANEL                  |                    |
| 4.         | RTCU600067  | WORKING THERMOSTAT                | ✓                  |
| 5.         | RTBF900037  | LOW BRACKET COMMUTATOR/THERMOSTAT | ✓                  |
| 6.         | RTBF900007  | COMMUTATOR                        | ✓                  |
| 7.         | RTCU800185  | GASKET FOR COMMUTATOR ROD         | ✓                  |
| 8.         | 166465      | GREEN WARNING LIGHT               | ✓                  |
| 9.         | 166466      | ORANGE LAMP LIGHT                 | ✓                  |
| 10.        | RTCU800152  | SAFETY THERMOSTAT                 | ✓                  |
| 11.        | 201571      | CABINET TERMINAL BLOCK PROTECTION |                    |
| 12.        | RTBF800138  | CHOCK                             |                    |
| 13.        | RTBF900045  | TERMINAL BOARD                    |                    |